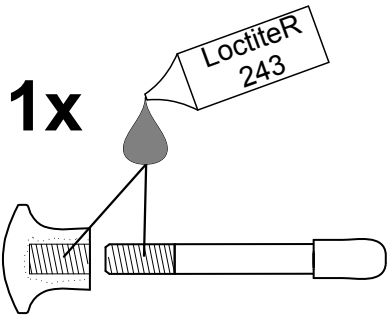
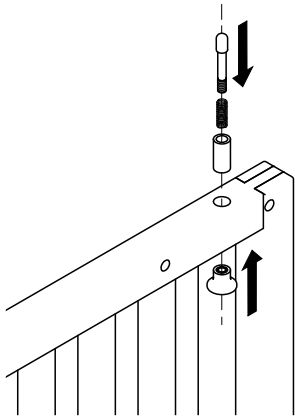


Invacare® ScanBeta NG

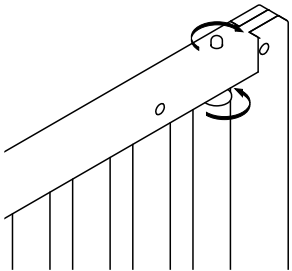
1.



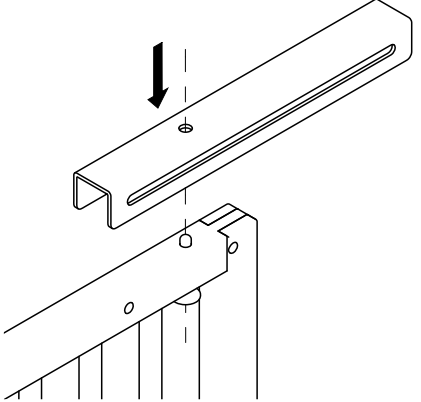
2.



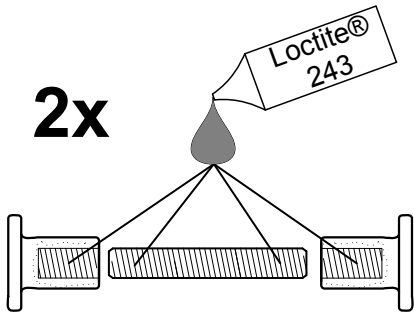
3.



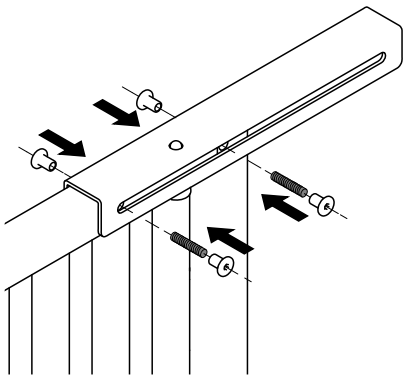
4.



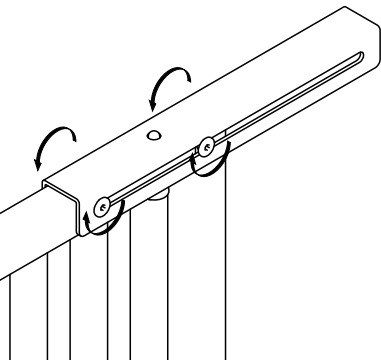
5.



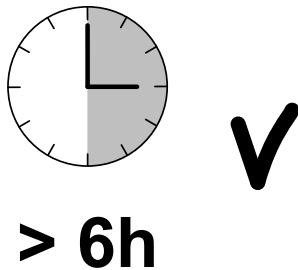
6.




7.



8.



 Invacare Rea AB  
Växjövägen 303  
SE-343 71 Diö  
Sweden



Yes, you can.®