



Invacare® EC-Track®

Installation & Technical Description,
Installation og teknisk beskrivelse,
Installation et description technique,
Montering og teknisk beskrivelse,
Montering och teknisk beskrivning

en	Rail system for ceiling hoist Robin®/ Robin Mover® Service Manual	3
da	Skinnesystem til Robin®/ Robin Mover® løftemotor Servicemanual	29
fr	Système de rails pour lève-personne sur rail Robin®/Robin Mover® Manuel de maintenance	55
no	Skinnesystem for takmontert Robin®-/ Robin Mover®-løfter Servicehåndbok	83
sv	Skensystem för taklyften Robin®/Robin Mover® Servicemanual	109



PROVIDER: Keep this manual.
The procedures in this manual MUST be performed by a qualified technician.



Yes, you can.®

©2019 Invacare Corporation

All rights reserved. Republication, duplication or modification in whole or in part is prohibited without prior written permission from Invacare. Trademarks are identified by [™]and [®]. All trademarks are owned by or licensed to Invacare Corporation or its subsidiaries unless otherwise noted.

Contents

1 General	4
1.1 About this manual	4
1.2 General Safety	4
1.3 Warranty Information	4
2 Rail system	5
2.1 Single rail system	5
2.2 Traverse system	6
2.3 Room Transfer	7
2.4 Rails, Brackets & Accessories	8
3 Installation	14
3.1 General Installation Instructions	14
3.2 Ceiling Mounting System	14
3.2.1 Concrete Ceiling	14
3.2.2 Concrete Ceiling with Suspended Ceiling	15
3.2.3 Wooden Ceiling	17
3.3 Wall installation – end hung rail	18
3.3.1 Rail profile M and L	18
3.4 Wall installation – side hung bracket or side/end hung bracket	19
3.5 Curves	19
3.6 Rail coupling	20
3.6.1 Rail coupling for profile M and L	20
3.6.2 Rail coupling for profile S	20
3.7 Wall support legs	20
3.8 Mounting traverse system	21
3.9 Installation of track switches	22
3.10 Transit coupling	22
3.10.1 Adjusting the hole in the wall/door opening	22
3.10.2 Installing the transit coupling	23
3.10.3 Installing and connecting control button and power supply	24
3.10.4 Installing a traverse system with lock fixture for transit coupling	24
3.10.5 Installation of a single rail for a coupling system	24
3.10.6 Mounting the positioning fixtures on parallel rail S-profile and M/L-profiles	24
3.11 Installing the ceiling hoist to the rail system	25
3.11.1 Installing Robin®	25
3.11.2 Installing Robin® Mover	26
3.12 Inspection / check of the rail system	26
4 Technical Data	28
4.1 The rail system	28
4.2 Dimensions for different track installations	28

1 General

1.1 About this manual

This installation manual is intended as an instruction when planning and carrying out the installation. In order to ensure safety when handling the product, read the manual carefully and follow the safety instructions.

For pre-sale and user information, please see the user manual. Find the user manual on Invacare's website or contact your Invacare representative (see addresses at the end of this manual).

Symbols in this manual

In this manual, hazards are indicated by symbols. The symbols are accompanied by a signal word that indicates the severity of the risk.



WARNING

Indicates a hazardous situation that could result in serious injury or death if it is not avoided.



CAUTION

Indicates a hazardous situation that could result in minor or slight injury if it is not avoided.



IMPORTANT

Indicates a hazardous situation that could result in damage to property if it is not avoided.



Tips and Recommendations

Gives useful tips, recommendations and information for efficient, trouble-free use.



Gives information about the required tools.



This product features the CE mark, in compliance with the Medical Device Regulation 2017/745 Class 1. The launch date of this product is stated in the CE declaration of conformity.

1.2 General Safety



WARNING!

Safety rules before installation

- All installations must comply with the national rules and standards.
- Use only approved installation components.
- At every point of suspension, the roof/ceiling structure must be able to withstand a static load of at least 300 kg.
- Before mounting a rail system, the roof, walls, and floor must be examined carefully. Determine the exact materials involved in the roof and walls. This examination must only be carried out by a suitably qualified person.
- The rail system must be mounted only by suitably qualified persons.

Stress Test

In accordance with the European standard EN 10535, the system shall be stress tested with 300 kg. This should be done at each fixing point. This test is to be carried out as a testing of the substratum's ability to keep the rail system in place. This test shall be carried out by a suitably qualified person.

1.3 Warranty Information

Terms and conditions of the warranty are part of the general terms and conditions particular to the individual countries in which this product is sold.

Contact information for your local Invacare office is located inside the back cover of this manual.

2 Rail system

2.1 Single rail system

A single rail system is suited in situations where the lifting is done at specific or limited places (e.g. underneath the track).

A single rail system consists of one straight rail. This rail may be mounted parallel to the walls or diagonally in the room.

The rail system can be optionally extended with curves with angles of 30°, 45°, 60° and 90°.

The rail system can be installed on the wall or the ceiling.

With a single rail system it is possible to hide the installation in the ceiling so that only the opening of the rail is visible.

2.2 Traverse system

A traverse system is suited for cases when an unlimited number of lifting places is required in the room.

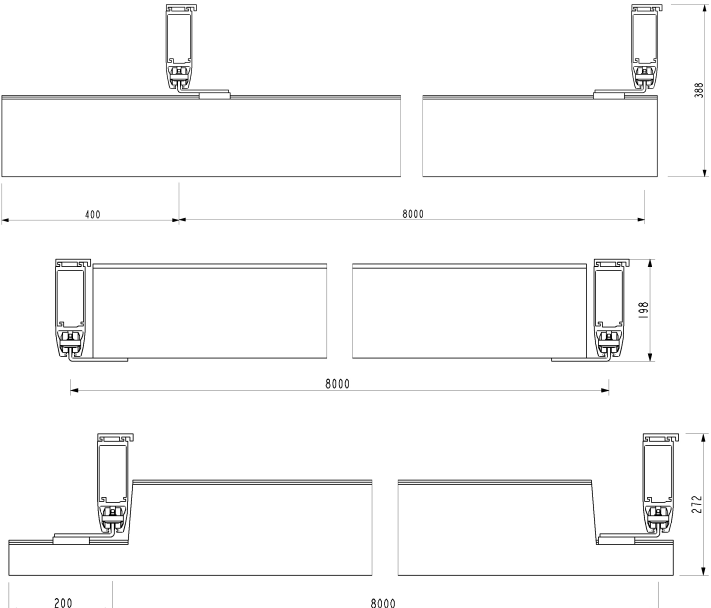
A traverse system consists of two parallel rails mounted on the ceiling or the wall. In each parallel rail, a traverse trolley is inserted which can travel the full length of the parallel rails, from end stop to end stop.

Across the parallel rails a traverse rail is mounted to the two traverse trolleys. This installation can be carried out in different ways, as shown in the illustrations below. With a hoist trolley inserted in the traverse rail, the hoist can travel the full length of the traverse rail.

The system permits an unlimited number of lifting places, since the traverse system covers the entire room.

Combinations of traverse systems

Rails	Combination	Possible combinations
Parallel: S-Profile Traverse: S-Profile	Under-hung traverse: Between-hung traverse:	
Parallel: S-Profile Traverse: M-Profile	Under-hung traverse: Partly between-hung traverse:	
Parallel: S-Profile Traverse: L-Profile	Under-hung traverse:	
Parallel: M-Profile Traverse: M-Profile	Under-hung traverse: Between-hung traverse: Partly between-hung traverse:	
Parallel: M-Profile Traverse: L-Profile	Under-hung traverse:	

Rails	Combination	Possible combinations
Parallel: L-Profile Traverse: L-Profile	Under-hung traverse: Between-hung traverse: Partly between-hung traverse:	

2.3 Room Transfer

Room transfer with two hoists

Room transfer can be done by using two Robin hoists; one in each room. To ease this operation, an Invacare room-to-room trolley is used.

Room transfer is possible in both single- or room covering installations. It is important that the rails are located as close to the doorway as possible. When installing a room covering rail system intended for room transfer, the traverse rail must be installed perpendicular to the wall with the doorway. The distance between the two end stop buffers must not exceed 600 mm. To obtain the best possible result during room transfer, there must be a minimum distance of 1.85 m between the floor and the

underside of the hoist. This must be kept in mind during installation of the rail system.

Room transfer with transit (transit coupling)

As an alternative the room transfer can be achieved by an installed transit coupling.

The coupling can be used to connect either two traverse systems or one traverse system and one single rail system.

The coupling is operated electrically by a control button mounted on the wall. The coupling is delivered with a standard length of 800 mm.

For further information see chapters 2.4 *Rails, Brackets & Accessories*, page 8 and 3.10 *Transit coupling*, page 22.

2.4 Rails, Brackets & Accessories

Rail profiles S, M, L

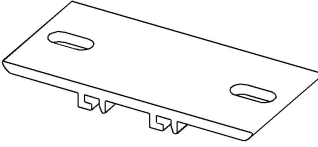
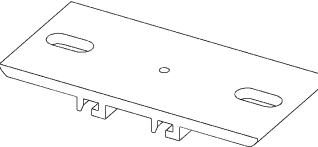
Type		Description	Info
Rail profile S		Max. length = 7.8 m Max. span without support: 2 m	color: white
Rail profile M		Max. length = 7.8 m Max. span without support: 4 m	
Rail profile L		Max. length = 7.8 m Max. span without support: 8 m	

Curves 30°, 45°, 60°, 90°

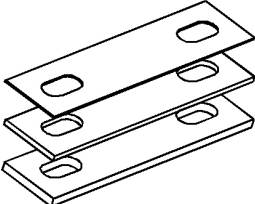
Type		Description	Info
Curve 30°		Rail profile S with curve 30° and 2 x 200 mm straight rail	All curves have a radius of 400 mm. All curves are supplied as right or left curves. Characteristics for right and left, see chapter 3.5 Curves, page 19
Curve 45°		Rail profile S with curve 45° and 2 x 200 mm straight rail	
Curve 60°		Rail profile S with curve 60° and 2 x 200 mm straight rail	
Curve 90°		Rail profile S with curve 90° and 2 x 600 mm straight rail	

Ceiling brackets

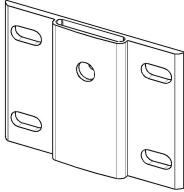
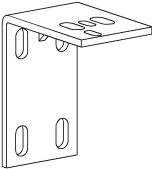
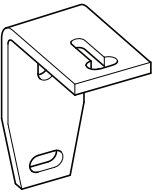
Type		Description	Info
Ceiling bracket, Quick		Ceiling brackets with hidden fixing parts. To be used for ceiling installation of single-rail and traverse systems. Sizes (WxDxH): <ul style="list-style-type: none"> • 30x68x14 mm (for curves) • 70x68x14 mm (for ordinary ceiling suspension) • 120x68x14 mm (for rail coupling) 	Installation: See chapter 3.2 Ceiling Mounting System, page 14.
Ceiling bracket, Quick, Traverse		Brackets for traverse system and side hung wall installation The bracket is mounted beneath the traverse trolley, at the underhung and partly between-hung traverse assembly.	

Type		Description	Info
Ceiling bracket, Standard		<p>Ceiling brackets with visible fixing parts</p> <p>To be used for ceiling installation of single-rail and traverse systems.</p> <p>Sizes (WxDxH):</p> <ul style="list-style-type: none"> • 30x146x14 mm (for curves) • 70x146x14 mm (for ordinary ceiling suspension) • 120x146x14 mm (for rail coupling) 	
Standard ceiling bracket with lock		<p>Ceiling bracket with lock screw measuring (70x146). Used for ceiling installation, with min. 1 per straight rail. This ensures that the rail is not displaced after installation.</p> <p>Sizes (WxDxH):</p> <ul style="list-style-type: none"> • 70x146x14 mm 	

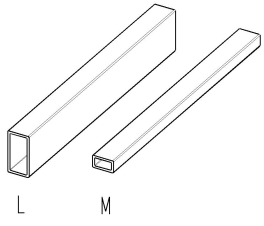
Shims

Type		Description	Info
Shim for standard ceiling bracket		<p>Available for ceiling brackets in 30, 70, 120 mm width.</p> <p>Height:</p> <ul style="list-style-type: none"> • 1 mm • 3 mm • 5 mm 	<p>Shims are to be used in installations to compensate possible differences of the height in the roof/ceiling structure.</p>

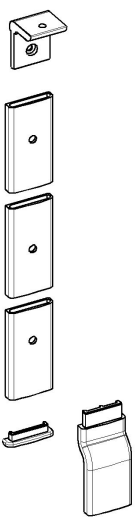
Wall brackets

Type		Description	Info
Wall bracket, end hung		To be used when installing tracks to a wall. They can be used when the walls have sufficiently high carrying capacity when mounting straight and diagonally to a wall. To be used with insert tubes and console.	Installation: See chapter 3.3 <i>Wall installation – end hung rail, page 18.</i>
Wall brackets, side hung		To be used when installing tracks side hung. Can be applied if the wall has sufficient strength.	Installation: See chapter 3.4 <i>Wall installation – side hung bracket or side/end hung bracket, page 19</i>
Wall bracket, side and end hung		To be used when installing tracks either side or end hung. Can be applied if the wall has sufficient strength.	Installation: See chapter 3.4 <i>Wall installation – side hung bracket or side/end hung bracket, page 19</i>

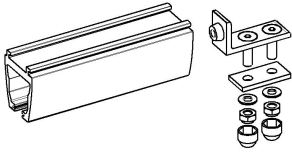
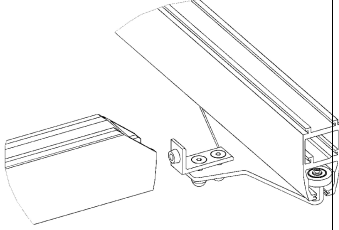
Insert tubes

Type		Description	Info
Insert tube for rail profile M or L		To be used when mounting rail end hung to wall, when coupling two rails, or when mounting rails diagonally in a room. <ul style="list-style-type: none"> • Insert tube for rail profile M: Length 800 mm. • Insert tube for rail profile L: Length 1 m. 	Insert tube is supplied depending on the particular mounting situation.

Wall support leg, console and wall support foot

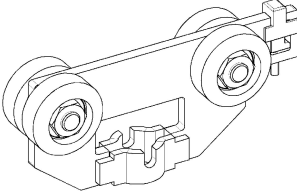
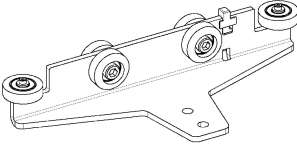
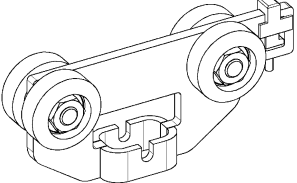
Type		Description	Info
Wall support leg		To be used if the wall does not have sufficient carrying capacity when mounting the rail to the wall. May be used for the mono rail systems as well as the traverse systems. Leg length: 2.6 m / 3 m	Installation: See chapter 3.7 <i>Wall support legs, page 20</i>
Wall support console		The console is also used together with the end hung wall bracket when mounting straight or diagonal.	
Wall support foot		Low foot for rooms without skirting board High foot for rooms with skirting board pan along the floor	

End Stop

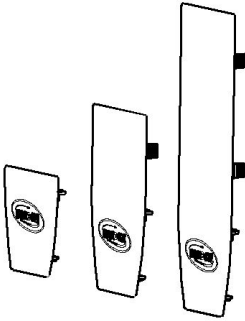
Type		Description	Info
End stop		<p>The end stop is mounted at all rail outlets, which ensures that the trolleys do not leave the rail system.</p> <p>When the end stop is mounted, the rubber plug is to face towards the trolley.</p>	
end stop for traverse rail		<p>When the traverse system is between-hung, the traverse rails end stop is to be mounted in the traverse trolley.</p> <p>When the rails are mounted to a wall, the end stop is to be placed so far into the rail that the hoist does not hit the wall</p>	

- i** In some countries/local areas there is a demand for double securing of the end stops. Such extra securing can be achieved by installing one of the following:
- M5x16 mm thread forming screw (e.g. Bufab/Swebolt MRX or equal), 10 mm from each end of the rail, 25 mm from the rail underside (the screw can be installed in a pre-drilled hole $\varnothing 4,3$ mm).
 - $\varnothing 6,3 \times 22$ mm thread forming screw (e.g. Bufab/Swebolt R6B or equal), 10 mm from each end of the rail, 18 mm from the rail underside.

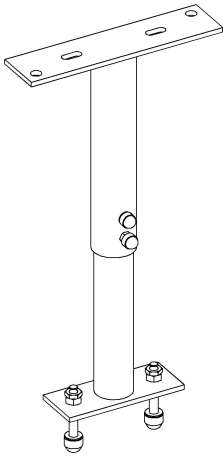
Trolleys

Type		Description	Info
Hoist Trolley		<p>The hoist trolley is used for individual mono rail systems as well as traverse systems. The hoist trolley is used when a Robin ceiling hoist is to be mounted in the track system.</p>	
Traverse Trolley		<p>The traverse trolley is used when mounting a traverse system. For a traverse system, 2 traverse trolleys are always used.</p>	
Room-To-Room Trolley		<p>The room-to-room trolley is used when a transfer from one room to another is required, typically through a doorway.</p>	

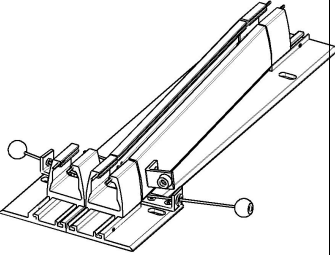
Rail End Plugs

Type		Description	Info
Rail end plug S, M, L		<p>Rail end plugs are supplied for rail profiles of 3 sizes. Color: white.</p> <p>To be used at the closure of both ends of all rails.</p> <p>Mounting: Press into the rail profile after the rail system is mounted.</p>	

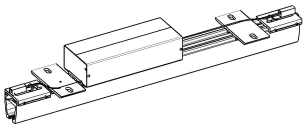
Pendles

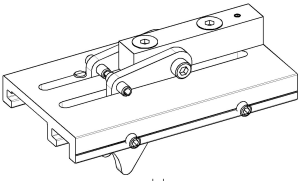
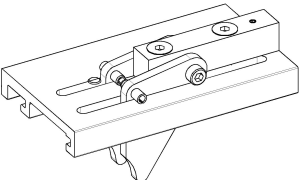
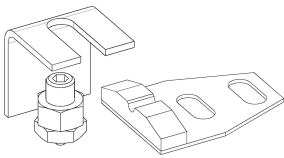
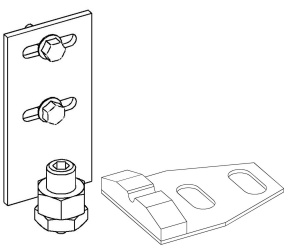
Type		Description	Info
Pendles, adjustable		<p>Pendles are applied if there is a need for installing a lower rail system than the original ceiling level. Can be used in hidden installation as well as visible installations.</p> <p>Sizes (adjustable length):</p> <ul style="list-style-type: none"> • 200 – 300 mm • 280 – 460 mm • 440 – 740 mm 	<p>Installation: See 3.2.2 <i>Concrete Ceiling with Suspended Ceiling, page 15.</i></p>

Track Switch

Type		Description	Info
Track switch, manual		<p>The track switch is manually operated and is installed with a standard ceiling bracket. The track switch is used in combination with a ceiling installed single rail system with S-profile, where a change in direction is required during movement of the patient.</p>	<p>Installation: See chapter 3.9 <i>Installation of track switches, page 22</i></p>

Transit Coupling

Type		Description	Info
Transit coupling		<p>The transit coupling is operated electrically and mounted with pendles in the ceiling on both sides of the wall. Length: 800 mm.</p> <p>The coupling is used for movement of a patient from one room to another.</p> <ul style="list-style-type: none"> • in traverse systems with S-, M,- and L-rails. 	<p>Control button (for the wall), and a transformer are enclosed when delivered.</p> <p>Installation: See chapter 3.6 <i>Rail coupling, page 20</i></p>

Type		Description	Info
		<ul style="list-style-type: none"> in a single rail system with only S-profile rails. 	
Lock fixture for traverse profile S		To be mounted on the traverse profile in the end that is coupled. It is mounted to ensure that the traverse rail and coupling are locked and connected correctly before room transfer can be done.	
Lock fixture for traverse profile M/L		To be mounted on the traverse profile in the end that is coupled. It is mounted to ensure that the traverse rail and coupling are locked and connected correctly before room transfer can be carried out.	
Positioning fixtures for parallel rail S-profile		To be mounted on the parallel rail, close to the coupling, to position the traverse rail correctly in proportion to the coupling.	
Positioning fixtures for parallel rail M/L-profile		To be mounted on the parallel rail, close to the coupling, to position the traverse rail correctly in proportion to the coupling.	

3 Installation

3.1 General Installation Instructions

Before installing a rail system, a careful and accurate measuring of the room is essential. It is equally important to determine the condition of the ceiling, the walls and the floor in order to decide whether to mount the rails on the ceiling or on the walls. Next, you need to decide how many lifting places are needed in the room.

When defining the lifting places, an individual assessment is required, which takes into consideration the build of the individual user and number of nurses.

The following placement of typical lifting places may be used as a recommended guideline:

Bed	1 m from inside of the bed head end
Toilet	150 mm from the front edge
Bathtub	1/3 way up (sitting position), ½ way up (reclining position)
Changing table	1 m from the head end of the table

When measuring for the selected rail system, take into consideration a suitable parking place for the hoist when it is not in use. A suitable spot could be near a wall, where the hoist charger is mounted on the wall.

Check the customized rail as well as the brackets and other accessories against the drawing.

Check that any burrs and metal shavings have been removed from the rails to prevent this debris from getting stuck in the trolley wheels producing noise and erratic operation.

In case of single rails and curved rails needing coupling, use the enclosed pipe pins.

1. Push the pipe pins halfway into the one rail. Holes are drilled to $\varnothing 3.2\text{mm}$ in the rail that the previous mentioned rail is to be connected to. Then the next rail is inserted over the pipe pins.
2. Push the next rail into the protruding pins. Do not drill further holes in the first rail.
3. Mount the bracket for rail coupling.

When installing a traverse system where the parallel rails are running from wall to wall, the minimum distance from rail to wall must be 60 mm, insert the traverse trolley and the rail end stop into the parallel rails before installation. If not, the parallel rails must end min. 350 mm from the wall to permit subsequently installation of the trolley.

When installing a mono rail system or a traverse rail in a traverse system, it is important that the rail at one end stops min. 160 mm from the wall to permit subsequently installation of the hoist trolley.

At secondary installation of Robin Mover the distance must be minimum 300 mm.

When installing rails with brackets directly on the ceiling, make sure that the ceiling is even and horizontal. (Shims of respectively 1 mm, 3 mm and 5 mm thickness, may be used to level out any unevenness.)

Keyhole for the installation point

Any EC-Track system must be prepared with an installation point for the hoist.

This installation point appears as a 32 mm round milled groove on the bottom of the rail in which the hoist is to be installed. This milled groove is called keyhole.

When installing the rail system, it is crucial that this installation point is placed according to the instructions below.

1. Generally, the keyhole must always be placed as close as possible to the end of a rail. However, it must be at least 250 mm away from the rail end.
2. If the rail goes from wall to wall, it should be placed min. 400 mm from the rail profile end.
3. If a traverse system is mounted, the keyhole should be placed as close as possible across the end of the rail. However, it must be at least 250 mm away from the rail end.
If the traverse rail continues all the way out to the walls, it should be placed min. 400 mm from the end of the rail.

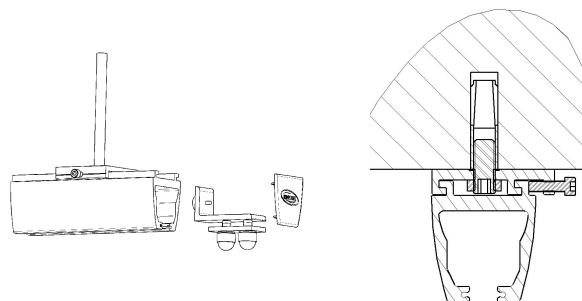
3.2 Ceiling Mounting System

3.2.1 Concrete Ceiling

When referring to mounting in concrete ceilings, we differentiate between massive concrete (factory moulded concrete elements, prestressed concrete surfaces, armored concrete) and hollow surfaces.

Mounting with Quick Ceiling Bracket


When using quick ceiling fittings, all ceiling fittings are to be mounted in the ceiling. Then the rail may be mounted in these. At least 3 ceiling fittings shall be used per rail. There must subsequently be max. 700 mm between each fitting. There must be max. 200 mm from the end of the rail to the first fitting.



Measure up to all fittings at the same time. It is important that the drilled holes are on a straight line. The precise marking for the holes is to be carried out using laser technique, chalk line, etc.

Mounting in massive concrete and hollow surfaces:

1. Drill holes with a 15 mm hammer drill to a depth of 54 mm. Blow holes clean.
2. Insert M12 stroke anchors into the hole (e.g. Hilti HKD-S M12 or equal).
When using a setting tool (e.g. Hilti HSD-G M12x50 or equal), the anchor will be correctly fastened in the concrete.
3. Mount the quick fitting by screwing the pre-mounted threaded rod in the stroke anchor.
It is important that an adhesive is used on a fitting and nut when the threaded rod is mounted to fitting.

 In order to ensure the achievement of max. strength, the threaded rod should be screwed min. 14 mm into the anchor.

When using a stroke anchor in combination with the quick bracket, optimum accuracy is a requirement. As an alternative, two component adhesive mortar for concrete can be recommended.

When all fittings are mounted, push the hoist trolley into the rail. The hoist trolley may face both ways. If the traverse trolley is to be mounted into the rail, it is important that this faces correctly in connection to the following mounting of the traverse rail.

The end stop is mounted in both ends of the rail. The end stop is pushed into the rail with the rubber plug first, and fastened initially loosely with your fingers.

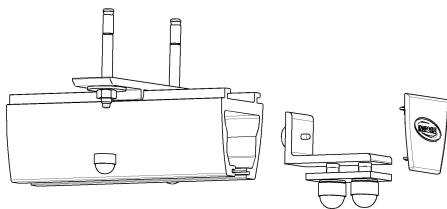
Lift up the rail, adjust the length of it and fasten it into all ceiling fittings.


Place the adjustable end stops correctly and tighten appropriately. It is important that the end stop is placed so that the hoist does not hit the wall.

For parallel rails in a traverse system, it is important that the end stop is placed so that the traverse trolleys hit the end stop at the same time.

Mounting with Standard Ceiling Bracket


The ceiling brackets are pushed onto the rail and distributed with max. 2 m between each bracket and 200 mm from the last bracket at the end of the rail. Use at least three brackets per rail. It is recommended to use an uneven number of brackets, if only one person is installing the rail. Thus, one bracket is placed on the center creating balance when the rail is hung in the first bolt.



 In at least one end of the rail, use a bracket with locking screw to be secured to the rail.

1. Measure for the hole for the one expansion bolt of the center bracket.
Drill the hole to a depth of approx. 80 mm with an 8 mm. impact drill bit. The hole is deeper than the expansion bolt length to facilitate dismounting later on. For dismounting, you can then drive the bolt fully in instead of pulling it out.
2. Drive an expansion bolt M8x75 (e.g. Hilti HSA or equal) in, leaving sufficient room for the bracket thickness (6 mm), the locking washer (2 mm) and the nut (7 mm) plus a little allowance. When you have driven in the bolt, remove the nut and the washer.
3. Insert the hoist trolley in the rail. The trolley can be oriented in both directions.
4. If you are installing the traverse trolley, make sure that it is correctly oriented for the subsequent installation of the traverse rail.
5. Install end stops at both ends of the rail. Insert the adjustable end stops in the rail with the rubber plug side first and the steel plate towards to the bottom of the rail. Finger tighten the screws.
6. Lift the rail in place, mount the washers and nuts and tighten them lightly. Adjust the rail lengthwise and angle wise, and tighten the nut.
7. Drill the hole for the bracket in the one end of the rail but on the opposite side of the rail. Drive in the expansion bolt, make the final adjustments and tighten.

Next, drill the remaining holes at one end of the bracket slot. If the drill bit hits a reinforcement bar before the hole is (50 mm) deep, simply drill at the other end of the slot. If the drill hits the reinforcement bars again, move the bracket approx. 20-25 mm along the rail. The bracket will then cover the failed holes.

 If the hole depth is between 50-70 mm, use an extension bolt M8x57.

8. Drive in the remaining expansion bolts, place the washers and nuts and tighten.
9. Position the adjustable rail stops correctly and tighten. Make sure to position the end stops so that the hoist does not hit the wall.
When installing parallel rail in a traverse system, be sure to position the end stops at the exact same points to ensure that the traverse trolley hit the end stops simultaneously.

3.2.2 Concrete Ceiling with Suspended Ceiling

For rooms with suspended ceilings which are difficult to dismount, it is recommended to choose a solution with wall-mounted or wall support mounted rails.

If the false ceiling can be easily removed or in case of a new mounting of a fixed suspended ceiling, we recommend an installation with lowering brackets for aesthetic reasons. For this solution, use the lowest rail profile S.

Mounting with Pending Brackets

In the case of ceiling mounting, it may often be necessary to pendle the rail downward. This need may arise in the even of mounting in a room with a suspended ceiling, where you have to pendle between the original ceiling and the suspended ceiling, or if the ceiling is so high that you have to pendle the rail down in order to ensure that the hoist's lifting intervals are used as well as possible.

There are more possibilities when carrying out a mounting with pendles:

A – Pendling using threaded rods and round spacer pipes, cut on-site at the installation place. Mounting by using this method is described in detail in this section.

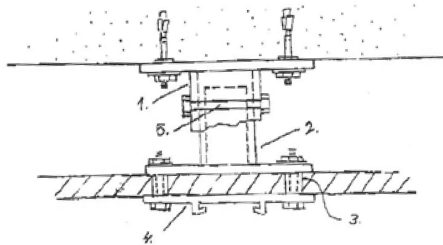
B – Mounting using adjustable pendles. This pendle consists of an upper and lower part. By pushing the upper part onto the outside of the lower part, the adjustable pendle may cover a given interval. As standard, a pendle can be supplied with the following intervals:

- 200 – 300 mm
- 280 – 460 mm
- 440 – 740 mm

When the correct pendle spacing has been determined in connection with the assembly, the pendle is pulled out to this length, and fastened with a screw. Then a hole is drilled all the way through to an M8x65 bolt to lock the pendle in the desired length.


The upper part of the pendle should be mounted in the ceiling as described in chapters 3.2.1 *Concrete Ceiling*, page 14 and 3.2.3 *Wooden Ceiling*, page 17 as when mounting with standard bracket.

The lower part of the pendle should be attached to the final standard ceiling fitting, as shown in the sketch below:



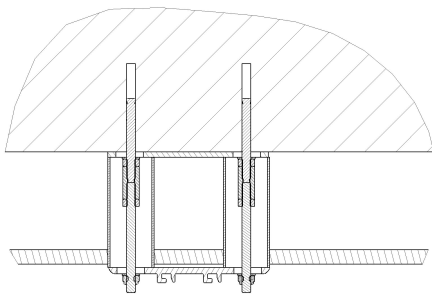
- 1. Pendle, upper part
- 2. Pendle underpart
- 3. Spacer pipe through lowered ceiling, Ø15
- 4. Standard ceiling bracket
- 5. Through locking bolt, M8x65

The pendle may also be supplied with predetermined dimensions, avoiding adjustment on-site.

 Remember also to order ceiling brackets when ordering pendle.

Removable Suspended Ceiling

In case of a removable suspended ceiling, the space above the suspended ceiling is accessible and pendle brackets and rail can be installed at the same time.




- Concrete ceiling.
- Expansion bolts M8x75, 2 pcs.
- Yoke (Steel plate for even installation surface), 1 pcs. 3mm.
- M8 nuts, 4 pcs.
- M8 coupling nuts, 2 pcs. (Collecting sleeve).

- M8 locked nuts, 2 pcs.
- Aluminium pipes Ø40, 2 pcs.
- Ceiling bracket (standard), 1 pcs.
- Removable suspended ceiling.
- M8 threaded rods, 2 pcs.
- Locking washers, 2 pcs. 11x35x2.

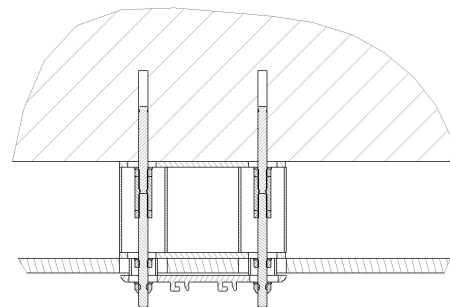
(An HKD anchor can be used as an alternative, which the rods are fixed directly into).

1. To get the right length of the pendling brackets, use the distance between the concrete ceiling and the lower face of the suspended ceiling as your starting point. This distance is used to determine the length of the pendle bracket pipe and the threaded rod. Their length must equal the previously measured distance described above.
2. When installing, first install the yoke for the center ceiling bracket. To do this, follow the instructions for the installation directly in a concrete ceiling. In this case, however, the holes are drilled for both expansions bolts at the same time.
3. When driving in the expansion bolts, leave approx. 15 mm protruding below the nut, so that you can screw the coupling nut onto it to half its length. Counter-tighten the coupling nut against the expansion bolt nut. Measure for the hole in a suspended ceiling and drill/cut this hole to Ø40 mm.
4. Attach an M8 nut onto the threaded rod (approx. 20 mm onto the rod) and screw the rod into the coupling nut until it hits the expansion bolt and counter-tighten the nut.
5. After completion, push the two aluminium pipes into the holes and fasten the rail as described in the usual instruction instructions.

 The distance between the suspended ceiling and the ceiling bracket must be min. 1-5 mm to prevent damages to the false ceiling.

Fixed Suspended Ceiling

In case of a fixed suspended ceiling, the rail installation is carried out in two steps. The lowering bracket therefore needs to be secured without the support from the ceiling bracket.




- Concrete ceiling.
- Expansion bolts M8x75, 2 pcs.
- Yokes, (Steel plate for even installation surface), 2 pcs. 3mm.
- M8 nuts, 6 pcs.
- M8 coupling nuts, 2 pcs.
- M8 locking nuts, 2 pcs.
- Aluminium pipes Ø40, 2 pcs.
- Distance pipes Ø20 (or nuts and washers), 2 pcs.
- Ceiling bracket (standard), 1 pcs.
- Suspended ceiling.

- M8 threaded rods, 2 pcs.
- Locking washers, 2 pcs.

(A HKD anchor can be used as an alternative, which the rods are fixed directly into).

1. Cut the pendle bracket pipe to a length equalling the distance measured between the concrete ceiling and the lower face of the suspended ceiling minus 50 mm. This length is appropriate for a double gypsum layer in the ceiling and an extra allowance of 12 mm.
2. Cut the threaded rod to a length equalling the distance between the concrete ceiling and the lower face of the suspended ceiling minus 10 mm.
3. When installing, first install the top yoke for the center bracket of the rail. Install the yoke as described in the installation instructions for direct installation in a concrete ceiling. In this case, however, drill both holes for the expansion bolts at the same time.
4. When driving in the expansion bolts, leave approx. 15 mm to protruding below the nut, so that you can screw the coupling nut onto it to its half length. Counter-tighten the coupling nut against the expansion bolt nut.
5. Attach a nut approx. 20 mm onto the threaded rod and screw the threaded rod into the coupling nut, until it touches the expansion bolt, and counter-tighten the nut.
6. Attach the bottom yoke and secure it with nuts.

 Avoid paint on the bottom section of the threaded rods until the installation is complete.
7. Prepare the rest of the installation points after a careful and accurate measuring.
First step of the installation is now complete and the construction of the suspended ceiling can be completed.

In the final installation, position the distance pipe in the suspended ceiling. This pipe will protect the suspended ceiling. Cut the distance pipe to a length creating a distance of 1-5 mm between the lower face of the suspended ceiling and the upper face of the installation bracket; instead of pipes, nuts and washers can be used to ensure the recommended distance.

3.2.3 Wooden Ceiling

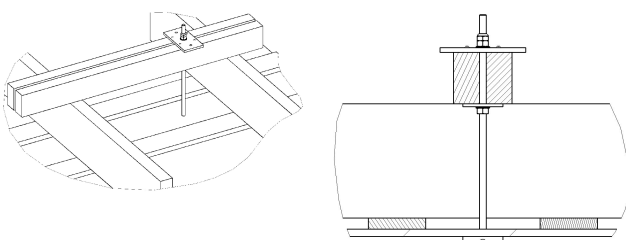


CAUTION!

- Do not install rails to a wooden ceiling with tension screws, such as coach screws.
- Do not install rails to a wooden ceiling with plain wood screws, without having performed a risk assessment.

Quick Bracket

In some cases, mounting to a ceiling timber work may be an alternative to mounting to wall or wall support.



It is provided that the ceiling timber work is accessible from above. When being mounted in the ceiling timber work, exchange should be placed as reinforcement. When reinforcing, it is important to select exchange wood that is dimensioned to tolerate the distance between two ceiling beams, so sufficient carrying capacity is achieved. When having marked up to all ceiling brackets in the ceiling, you should examine whether there is free space above the ceiling material. When this is done, holes with a diameter of $\varnothing 12.5$ mm are drilled through the ceiling material. The holes may now be localized from above, they can be prepared for the exchanges, and you may measure how long the threaded rods should be. The exchange should cover at least two ceiling beams on each side of the suspension point. When using exchanges, two 45x95 mm exchanges should be placed parallel to each other, at a distance of 14 mm, providing a passage for an M12 threaded rod. For determining the length of the threaded rod, determine the ceiling beam's height + length of exchange wood + ceiling material + 60 mm for washer and nuts.

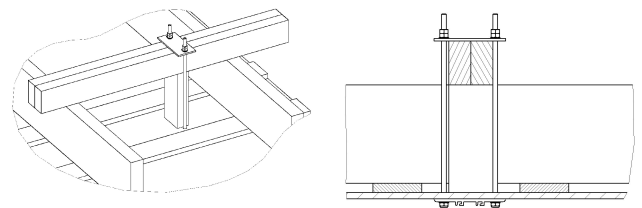
Place the adapted threaded rod between the exchange wood and put in a washer and nut before the threaded rod is guided further down through the ceiling and position it with an aluminium plate, a tightening washer and nut over the exchange wood. The aluminium plate is screwed into the exchange wood from the top. Let approximately 25 mm threaded rod protrude down under the ceiling material. A quick ceiling bracket may now be screwed onto the threaded rod beneath the ceiling material. The ceiling bracket is fastened with an M12 low nut. The threaded rod is to be screwed entirely through the nut, but must protrude further down than below the fitting.

When mounting the bracket and nut, it is important to use adhesive on bracket as well as nut. When all brackets are mounted, lift up the rail, adjust the length and secure it. Before the rail is fastened up to the ceiling, which is done from above the ceiling, it should be checked that the exchange wood is resting on both ceiling beams. If not, something should be placed between.

The nut over the exchange wood is now secured carefully until the bracket lies evenly with the ceiling material. It is important not to tighten so much that the ceiling material is pulled up between the ceiling beams. When this is done, a steel plate is placed in around the threaded rod below the exchange wood, and the nut is secured up into the steel plate, thus locking the position.

Finally, a lock nut is secured against the nut on the upside of the exchange wood. Trolleys, end stop and rail end plugs are mounted as described in section 5.2.1.

Standard Bracket



- Threaded rods M10, 2 pcs.
- M10 nuts 4 pcs.
- Yoke 1 pcs.
- Braces 45x90x1500 mm, 2 pcs.

- Beam layer.
- Under roof/ceiling.
- Ceiling bracket, 1 pcs.
- Locking nuts M10, 2 pcs.
- Washer, 2 pcs. 11x35x2.

In some cases, installation with passing screws may be an alternative to wall or wall support installation.

This requires that the roof beam layer can be accessed from above. This is often the case in one-storied houses. To reinforce the roof beam layer, exchanges of 45x95 mm are placed edgewise.

Instead of the expansion bolts, a M10 threaded rod of appropriate length is used. An installation plate (yoke rests on top of the braces.

The exchange must rest on the roof beams on both sides of the suspension. If this is not possible, the exchange must be secured to prevent them from tilting when loaded.

The minimum number of three mounting points per rail for concrete ceiling does not apply to wooden ceilings. Here, the max. free span determines the number of mounting points.

The rest of the installation process is similar to the process for concrete ceilings. It is, however, necessary to drill both holes for the center bracket (the standard bracket at the same time.

Cut the threaded rods to appropriate length and attach the washers and M10 nuts locking nuts.

The threaded rods are to be screwed from below and up through the yoke. The yoke is fastened from above to the exchanges with nails and screws.

Before the rail is fastened to the ceiling, which is done from above, you should double-check that the exchange wood is resting on two ceiling beams. If not, something should be placed between.

Be careful when tightening the nuts to prevent damage to the suspended ceiling.

3.3 Wall installation – end hung rail

The following are recommendations only. Alternatively, expansion bolts with the similar thickness and quality can be applied. Always follow the recommendations from your supplier.

For freely suspended installation, the end of the rails may be attached to the wall with wall brackets or wall support. Choose wall support, if you are in doubt of the load bearing capacity of the wall material. When installing freely suspended rails, the max. rail length must be observed, depending on the selected rail profile. The distance between the walls must be max. 2 m for rail profile S, 4 m for rail profile M and 8 m for rail profile L.


If you need to mount or dismount a hoist trolley after installation, the distance from one wall to the rail must be at least 160 mm. At secondary installation of Robin Mover, the distance must be minimum 300 mm. If you need to mount or dismount the traverse trolley after installation, the distance between the one wall and the rail must be at least 350 mm. (Minimum distance from rail to wall must always be 60 mm. If you have a wall-mounted rail profile S, you cannot mount or dismount the trolley after installation.

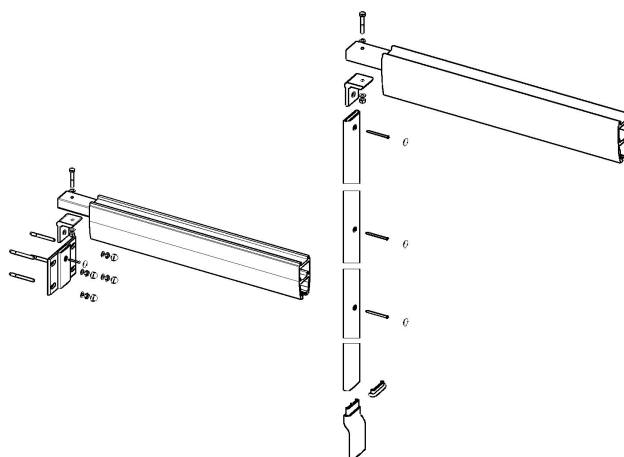
3.3.1 Rail profile M and L

When installing wall brackets or wall support legs, leave a gap from the ceiling to the upper edge of the wall bracket or floor support. The gap should be at least:

- 80 mm for rail profile M
- 150 mm for rail profile L

When using wall support legs, cut the support leg profile to an appropriate length at the floor end.

 Remember to make allowance for the floor support foot.



In case of skirting boards, either use the high wall support foot, or cut away the skirting board.

Always install wall support legs right at the wall in their full length.

Mark for holes using a level, and drill the holes.

Concrete wall

When mounting a freely hanging rail into a concrete wall, a wall bracket should be used for mounting.

For mounting, we recommend using either expansion bolts M10x68 (e.g. Hilti HSA or equal), drilling depth min. 60 mm, Ø10, or adhesive mortar (e.g. Hilti HIT-HY 150 and HAS M10 or equal), drilling depth min. 95 mm, Ø12 (when mounted in wet rooms, use stainless steel HAS quality A4-70).

Brick wall

When mounting into bricks, ordinary wall brackets should be used. However, we recommend using floor supports if the brick wall is very porous.

For mounting into massive bricks, we recommend using adhesive mortar (e.g. Hilti HIT-HY 50 and HAS M10 or equal), drilling depth min. 90 mm in ½ brick and 170 mm in 1/1 brick, Ø12., (when mounted in wet rooms, use stainless steel HAS quality A4-70).

For mounting in hollow bricks, we recommend using either a frame shear connector (e.g. Hilti HRDUGT or equal), drilling depth min. 80 mm, Ø10, or adhesive mortar (e.g. Hilti HIT-HY 20, and HAS M10 or equal), drilling depth min. 95 mm, Ø16.

For mounting into porous brickwork, we recommend using adhesive mortar (e.g. Hilti HIT-HY 50 and HAS M10 or equal), drilling depth min. 90 mm in ½ brick and 170

mm in 1/1 brick, Ø12. If wall supports are used when mounting, use HAS M8, drilling depth min. 80 mm, Ø10.

Lightweight concrete

When mounting in light concrete, you may either use wall brackets or wall supports, depending on the condition of the wall. For mounting, we recommend using adhesive mortar (e.g. Hilti HIT-HY 50 and HAS M10 or equal), drilling depth min. 90 mm, Ø12 (M8 for mounting of wall supports).

You may also use a light concrete sheer connector (e.g. Hilti HGN, HUD-1 10L or equal), drilling depth min. 90 mm, Ø10 / HUD-1 8L, drilling depth min. 80 mm, Ø8.

Gypsum wall

Refer also to chapter 3.7 *Wall support legs, page 20.*

1. Complete the installation of the wall bracket or the wall support leg with console, wall support foot and plugs for covering the screw holes.
2. Insert the hoist trolley or the traverse trolley in the rail. The hoist trolley can be oriented in both directions, whereas the orientation of the traverse trolley must correspond to the layout of the traverse system.
3. Insert end stops at both ends of the rail and finger-tighten them at first.
4. Insert the insertion tube in the rail. The hole in the tube must face outwards.
5. Lift the rail while holding on to the insertion tube to prevent it from sliding into the rail.
6. Mount the insertion tube on the console at the wall bracket or the wall support leg.
7. Adjust the rail lengthwise to achieve the correct distance between the wall and the rail.
8. There must be an overlap of at least 300 mm between the rail and the insertion tube. Check to verify by looking through the inspection hole on the side of the rail. The inspection hole is located exactly 300 mm from the end of the rail.
9. When the rail is properly positioned, drill a Ø7 mm hole through the rail and the insertion tube, approx. 100 mm from the end of the rail. Secure the rail in position with passing bolts M6 with locking nuts.
10. After positioning the rail, adjust the end stop to its proper position. When positioning the end stop, make sure that the hoist will not hit the wall. With a traverse system, ensure that the two traverse trolleys hit the end stop simultaneously.

Angular, wall-mounted

The rail can be mounted diagonally in the room. The rail must be angled max. 45°.

The mounting is carried out as described for ordinary wall mounting with or without wall supports. However, the tube is delivered prepared for angled mounting.

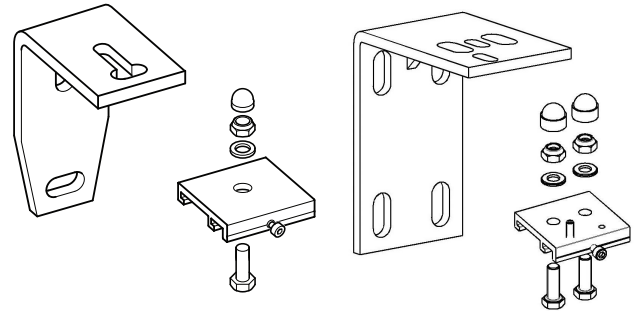
3.4 Wall installation – side hung bracket or side/end hung bracket

When installing a rail system side hung, the parallel rails can be installed close to the wall.


When installing a rail system side hung, the wall must have such strength, that wall support legs are unnecessary.

When installing S profile, 2000 mm is the maximum distance between each fixation point, but at least 3 points are necessary.

When installing M profile, 4000 mm is the maximum distance between each fixation point, but at least 3 points are necessary.



Always measure the distance between both walls accurately, in the correct height and location of the system. The wall bracket can be adjusted +/- 6mm. If more is required, use a plate of 6 mm between bracket and wall.

 Final appearance is influenced by the parallelism between wall and rail. Be accurate.

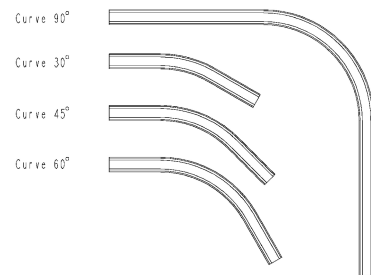
The traverse system measurements here, is the room size measured, deducted 206 mm (if between-hung installed), and 62 mm (if under-hung installed).

Again, this requires an accurate measurement as well as some considering of the adjustability due to wall unevenness.

Wall installation depends on the structure of the wall. Always follow recommendations in chapter 3.3.1 *Rail profile M and L, page 18.* After installing the wall brackets and the two parallel rails, follow instructions in section 3.8 *Mounting traverse system, page 21.*

3.5 Curves

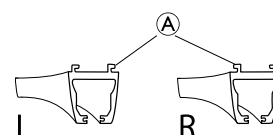
Following curves are available:



- Angle 30° 0.2 + 0.2 m straight ends
- Angle 45° 0.2 + 0.2 m straight ends
- Angle 60° 0.2 + 0.2 m straight ends
- Angle 90° 0.6 + 0.6 m straight ends

All curves have a radius of 400 mm.

The curves are available with right-hand bends and left-hand bends. It is especially important to distinguish between right and left curves, when several curves are included in the same rail system.



- Left curves (L): Mounting channels (A) facing out from the curve.
- Right curves (R): Mounting channels (A) facing inward into the curve.

Pipe pins and coupling brackets with lock screws are used to couple curves with straight rails.

Bracket positions on the curves

Angle 30° 0.2 + 0.2 m straight ends: A coupling bracket at both ends, if the curve is connected to straight rails.

Angle 45° 0.2 + 0.2 m straight ends: A coupling bracket at both ends, if the curve is connected to straight rails and a narrow bracket at the middle of the curve.

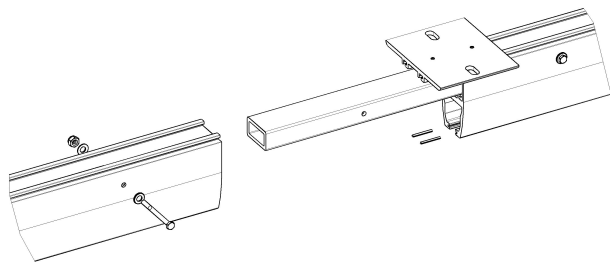
Angle 60° 0.2 + 0.2 m straight ends: One coupling bracket, at both ends if the curve is connected to straight rails and a narrow bracket at the middle of the curve.

Angle 90° 0.6 + 0.6 m straight ends: One coupling bracket, if the curve is connected to straight rails and a narrow bracket at the middle of the curve.

For installation instructions for curves, see section: 5.2.1.1, section 5.2.1.2.

3.6 Rail coupling

3.6.1 Rail coupling for profile M and L



The following items are used for rail coupling:

- Rail profile M no. 1.
- Rail profile M no. 2.
- Insertion tube (for profile M).
- Coupling bracket (quick or standard).
- Pipe pins.
- Stop screws.
- Bolt M6.
- Washer.
- M6 lock nuts.

Push the insertion tube halfway into rail profile no. 1 and secure it with a passing bolt. Furthermore, drill the holes for the pipe pins in rail profile no. 2 up to 3.2 mm in a depth corresponding to half the length of the pipe pins. Guide the pipe pins halfway into rail profile no. 1 and squeeze them together in the end.

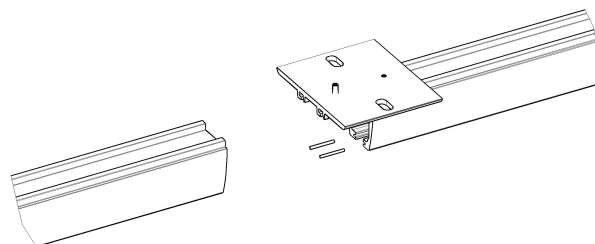
Push the coupling bracket halfway onto rail profile no. 1 and secure it with the stop screw.

The coupling bracket is only required when mounting the rail on the ceiling. If you are coupling a traverse rail, the coupling bracket is not required. Push together rail profile no. 2 and no. 1 and secure them with the locking screw in the coupling bracket and the passing bolt.

Install the coupled rail using the instructions for installation of straight rail profiles, see section 5.2.

When coupling long rails, it can be difficult to lift the coupled rail in one piece. In this case, first install the first rail on the ceiling. Then lift up the next rail which has been prepared for coupling and push the rails together.

3.6.2 Rail coupling for profile S



The following items are used for rail coupling:

- Rail profile no. 1
- Rail profile no. 2
- Coupling bracket (quick or standard)
- Pipe pins
- Stop screws

1. Drill the holes for the pipe pins in rail profile no. 2 up to 3.2 mm in a depth corresponding to half the length of the pipe pins.
2. Drive the pipe pins halfway into rail profile no. 1 and squeeze them together in the end.
3. Push the coupling bracket halfway onto rail profile no. 1 and secure it with the stop screw.
4. Insert rail profile no. 2 into the coupling bracket and drive the two rails together.
5. Tighten the stop screw on rail profile no. 2.
6. Install the coupled rails using the instructions for installation of straight rail profiles.

! IMPORTANT!

- When coupling long rails, it can be difficult to lift up the coupled rail in one piece.
 - In this case, first install the first rail on the ceiling. Then lift the next rail which has been prepared for coupling and push the rails together.

3.7 Wall support legs

Wall support legs are used for installation on gypsum walls and walls of other lightweight plate material.

- Wall support leg profile (adjust length).
- Support console.
- Wall support foot.
- Plastic cover plugs.
- Screws M6.


The wall support leg is cut in the right length, in the end facing against the floor.

When measuring the profile length, include a minimum distance between the top of the bracket and the ceiling. Minimum distance to be observed:

- M-profile: min. 80 mm
- L-profile: min. 150 mm



Mount the wall support leg on the wall with three screws. Use $\varnothing 6$ mm screws. The wall material determines the choice of screws.

 For mounting into gypsum, we recommend using (e.g. Hilti HGA or equal) shear connector for cavities (e.g. Hilti HGA or equal).

In case of skirting boards, either use the high wall support foot or cut the skirting boards.

! **IMPORTANT!**

- Remember to make allowance for the wall support foot.
- Always install wall support leg directly on the wall in their full length.

3.8 Mounting traverse system

The parallel rails are mounted in ceiling or wall as described in the previous section on the current mounting conditions.

Either if the two parallel rails are mounted using quick or standard fittings, it is important that any deviation of parallelism of the two rails does not exceed +/- 2 mm.


When mounting parallel rails, it is important to take into account whether it must be possible to insert a traverse trolley later on or not. If not, the rails may run all the way out to the wall (minimum distance from rail to wall must always be 60 mm). In this case it is important that the traverse trolley and end stop are pushed into the rail before the rail is mounted. However, if it should be possible to insert the trolley later on, it is important that there is a minimum distance between the one end of the rail and the wall of 350 mm.

Remember that the end stop in the parallel rails is to be placed so that the two traverse trolleys hit the end stops simultaneously.

The distance between two parallel rails is always measured from center to center of the two rails.

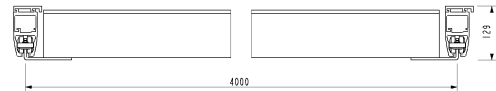
Generally, the following applies to the traverse rail with reference to the free span between the parallel rails as well as the max. protrusion a rail can handle.

- Rail profile S: max. free span 2 m, max. protrusion 200 mm
- Rail profile M: max. free span 4 m, max. protrusion 200 mm
- Rail profile L: max. free span 8 m, max. protrusion 400 mm

 When a rail is mounted as partially between-hung, it is always the max. protrusion for the S-profile that is applicable.

When mounting the traverse rail, there are three possible methods:

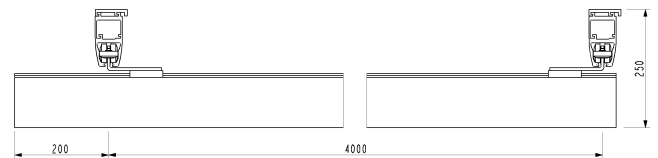
The traverse rail is between-hung



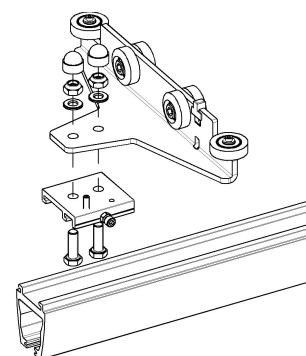
The measurement for the traverse rail is always the distance between the two parallel rails minus 86 mm.

When the traverse rail is mounted between-hung, the hoist trolley is inserted in the traverse rail and the end stops are placed loosely at both ends of the traverse rail. Remember that the rubber plug on the end stop always should face inward toward the hoist trolley. Lift the rail on top of the traverse trolley, so that the end stop's 2 bolts align with the two holes in the traverse trolley, then secure it with washers and lock nuts. Before the rail is securely fastened, it is important that the distance between the traverse rail and each of the parallel rails is equal in both ends. When the rail is secured, install the cover plugs on lock nuts and in the rails.

The traverse rail is under-hung



When the parallel rails are mounted and the traverse trolleys and end stops are positioned and secured, install quick traverse brackets underneath the traverse trolley, as shown on the drawing.

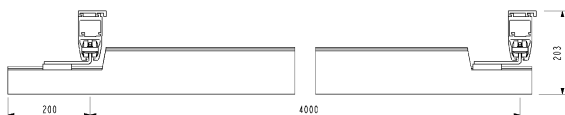


Regardless whether the two traverse trolleys are facing opposite each other or the same way, it is important that the two quick traverse brackets face the same way, or else there will be problems when mounting the rail.

When the traverse rail is correctly placed lengthwise and secured in the quick traverse bracket with the Allen screw, the rail is locked using a lathe center screw, which is

screwed into the quick traverse bracket from above until it has been screwed all the way down.

The traverse rail is partly between-hung

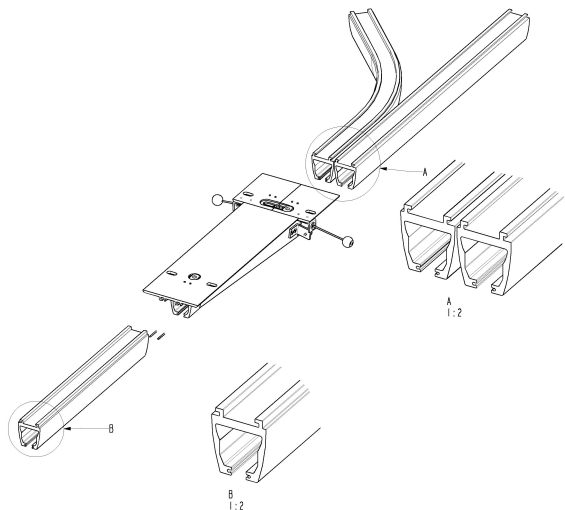


When the traverse rail is partly between-hung, the same mounting principle is used as with under-hung traverse rail. Here, the rail will be cut upon delivery, so that the quick traverse bracket may be mounted to the rail's middle suspension point.

Remember before mounting the traverse rail to determine whether it should be possible to mount the hoist trolley later or not.

3.9 Installation of track switches

The track switch is used where a change in direction is required during movement of the patient. The track switch is manually operated. By coupling of the track switch with both straight rails as well as curved rails, different combinations can be obtained.



The track switch can only be used in combination with ceiling installation and S-profile rails. The track switch is designed for standard ceiling bracket.

During ordering or installation of the straight or curved single rail system, it is important to bare in mind in which direction the mounting dowels of the track switch are facing. Only one standard track switch is available - refer to the illustration.

By installation in concrete ceiling, refer to chapter 3.2.1 *Concrete Ceiling, page 14* (standard brackets), and chapter 3.6.2 *Rail coupling for profile S, page 20*.

A re-bore in the rails is performed when coupling the rails. This re-bore is done in the track switch at delivery, and the necessary tube pins are supplied. When installing the rails to the switch, remember to tighten the pre-installed locking screws on the track switch - refer to the illustration. In connection with installation of a track switch onto different ceiling types or in combinations with pendles, contact Invacare® for further information.

! IMPORTANT!
 – After installation, the functions of the track switch and the fastening of the end stops must be inspected.

3.10 Transit coupling

The transit coupling is used in situations where transportation from one room to another is required, using only one Robin motor. The coupling is operated electrically.

The transit coupling can be installed in different rail system combinations. The coupling can be used to connect either two traverse systems or one traverse system and one single rail system.

The coupling is delivered with a standard length of 800 mm, and can be used where the wall is, up to 170 mm thick. The coupling is delivered with one control button, one power supply with 2 meters of wire (which must be adjusted during installation), and a user manual.

i If a transit coupling is needed in situations where the wall is thicker than 170 mm, contact Invacare®.

When ordering the transit coupling, it is important to order lock fixtures for the rails in both room 1 and 2. When coupling to a single rail system, please see section 5.5 about Rail coupling. Pendles for the installation are not delivered with the coupling. Order pendles separately in required length for the coupling.

Recommended installation:

1. Transit coupling
2. Traverse system/single rail system
3. Positioning fixtures
4. End test – Function and load test

3.10.1 Adjusting the hole in the wall/door opening

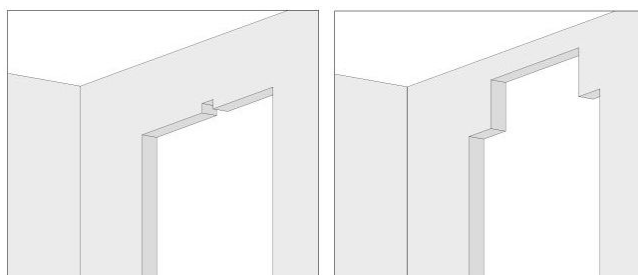
! CAUTION!
 – Before making hole in wall, ensure wall is not load bearing.

The hole must always be placed exactly in the center of the door opening:

If it is required that only the rail must pass through the wall, the hole needs to be minimum 73 mm high and minimum 65 mm wide.

If increased lifting height is required, the hole must be bigger.

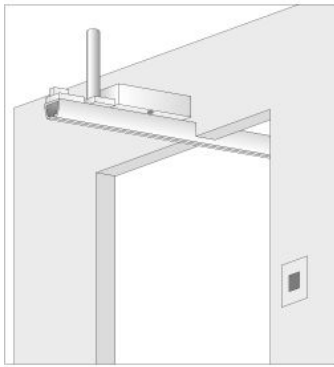
For a hole height of more than 80 mm, the width has to be at least 600 mm for the ceiling hoist to pass through.



i The best result is obtained, if the transit coupling has been taken into consideration in the very beginning of the house construction. This way the door opening can be constructed with the optimum lifting height.

3.10.2 Installing the transit coupling

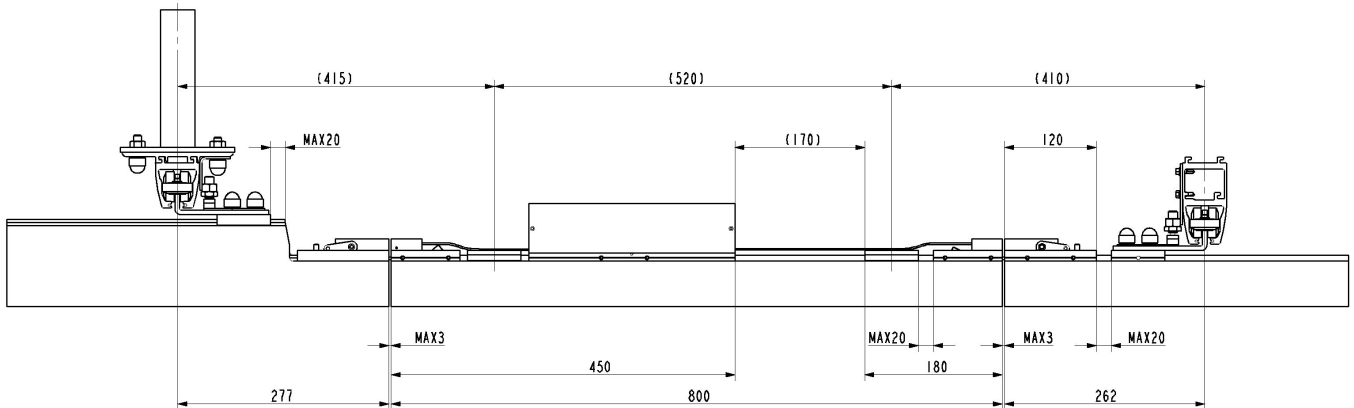
The coupling is delivered assembled with motor box, fixtures for pendles and lock fixtures. The delivered transit coupling is prepared so that the whole motor box is placed in one of the two rooms after installation.



The motor box and lock fixtures, have to be placed as the transit is delivered, to ensure functionality and safety. Fixtures for pendles can be placed freely as long as it complies with the construction of the system. See measure sketch below.

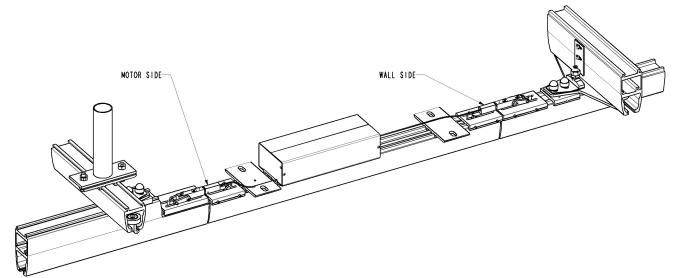
i It is very important that the thickness of the wall is controlled in advance.

Measure sketch for transit coupling



When installing the transit coupling it is very important that the motor box is placed in the room where it was intended when it was ordered, because the entire system is constructed under consideration of where the motor box is placed.

Installation with pendles is described in chapter 3.2.2 *Concrete Ceiling with Suspended Ceiling, page 15.*



See the measure sketch below for further information.

Installation of the transit coupling is only possible using pendles. The coupling can therefore only be installed where ceiling mounting is possible.

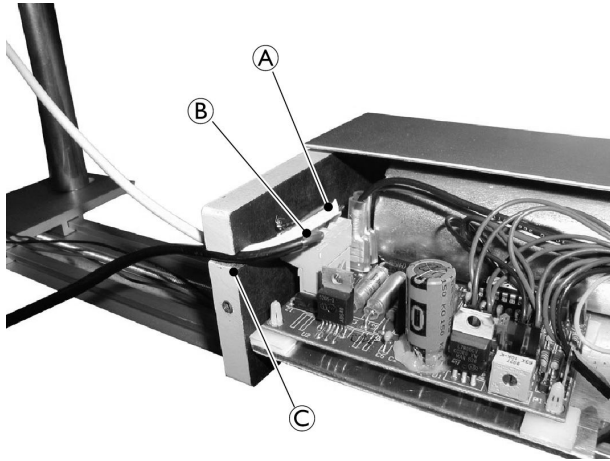
The best result is obtained in a concrete ceiling.

When installing in wooden ceilings, it is very important that the traverse system and coupling are installed in a way that they bend down equally and with minimum bending.

If it is necessary to strengthen the ceiling in a wooden ceiling construction, make sure to strengthen with a connected construction between rail system and transit coupling.

Do not install the pendles in different rafters because this way the coupling and traverse system will not bend down equally and the coupling will not work correctly.

3.10.3 Installing and connecting control button and power supply



Before connection of the control button and power supply, it is necessary to dismantle the covers on the motor box. The covers are dismantled by loosening the two screws, which holds each cover and pulling the covers horizontally to the side.

The control switch is mounted in the room and at the height, the user prefers. The control switch is opened with tools, and the back side is mounted on the wall using two screws $\varnothing 3.5 \times 30$ mm.

The wire is shortened to a suitable length and connected to the motor box. See drawing pos. A.

The power supply is mounted on the wall, visible or hidden, depending on what is most suitable. The power supply is mounted on a $\varnothing 3.5 \times 30$ mm screw on the wall, using the "key" hole on the back side of the power supply.

At the bottom of the power supply there is hole for a $\varnothing 3.5 \times 30$ mm screw which makes it possible to lock the power supply on the wall. The wire is shortened to a suitable length and connected to the motor box. See drawing pos. B.

The cover is re-attached, when the wires are connected correctly and the control switch is tested. Remember to mount the wires in the end-plate, in order to avoid that the wire conflicts with the cover when it is re-attached. See drawing pos. C.



CAUTION!

It is very important that there are no loose wires hanging from the coupling.

3.10.4 Installing a traverse system with lock fixture for transit coupling

In general a traverse system is installed as shown in chapter 3.8 *Mounting traverse system*, page 21. We recommend that the parallel rail of the traverse system is mounted in the ceiling in order to make the function of the transit coupling as stable as possible.

When installing the parallel rail, remember always to place a ceiling bracket/pendle in front of the transit coupling, especially on the rail closest to the transit coupling. See chapter 3.10.6 *Mounting the positioning fixtures on parallel rail S-profile and M/L-profiles*, page 24.

When the parallel rail is mounted, it is important to ensure a correct distance to the coupling. See image in chapter *Measure sketch for transit coupling*, page 23.

The traverse rail is adjusted to the specific order when it is delivered. If however it is necessary to shorten the rail further, it must be shortened in the end opposite to where the coupling is situated.

It is possible to use the following traverse rails together with a transit coupling system:

- S, M and L- profiles, under-hung
- M and L- profiles partly between-hung

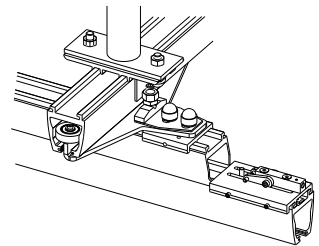
It is very important to ensure the correct free overhang for the traverse rail spacing between the pendles and free span from the rails to ensure that the rails can couple correctly. See drawing above.

When the traverse system and the coupling are installed it is very important to control the height between these and adjust if necessary.

The lower edge of the traverse rail must not differ more than 0.5 mm from the coupling rail. If there is a difference in height, the coupling track must be the lowest.

It may be necessary to adjust the height differently according to the user weight or the condition of the ceiling, to optimize the function of the coupling.

When the lock fixtures are installed, it is very important that they are in line with the end of the traverse rail and that they are turned correctly compared to the fixture on the coupling, before they are locked. See drawing.



Lock fixtures for M- and L-profiles are delivered with a little plate, which is important to install.

3.10.5 Installation of a single rail for a coupling system

When the coupling is installed with a single rail in one of the rooms, it is prepared for this, without the lock fixture, when delivered.

When the coupling is installed with an S-profile rail, the rail is coupled as shown in chapter 3.6.2 *Rail coupling for profile S*, page 20.

The pendle is mounted in the coupling fixture.

The rest of the single rail system is installed as shown in chapters 3.2 *Ceiling Mounting System*, page 14 and 3.6 *Rail coupling*, page 20.

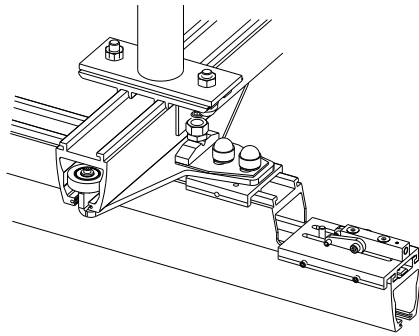
3.10.6 Mounting the positioning fixtures on parallel rail S-profile and M/L-profiles



CAUTION!

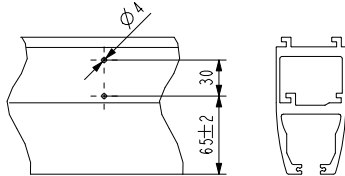
It is very important that everything is adjusted correctly and carefully fastened due to safety and functionality.
– Test the system thoroughly after installation.

The positioning fixture is mounted to easily position the traverse rail in proportion to the coupling. The fixture is mounted on the rail closest to the coupling and is turned towards the coupling. See drawing.



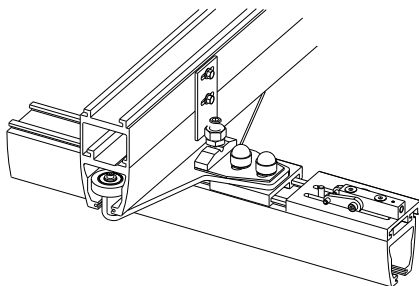
The positioning fixture for the S-profile rails is partly mounted in the standard fixture. It is therefore important to place a standard fixture right in front of the coupling rail.

The one part of the positioning fixture is mounted in the M10 bolt at the standard ceiling bracket in the same direction as the quick fixture on the traverse trolley. The traverse part of the positioning fixture is mounted on the Quick fixture of the traverse trolley. See drawing.



The positioning fixture for M-/L-profile rails is mounted on respectively the parallel and the traverse rail. The traverse part of the positioning fixture is mounted on the quick fixture of the traverse trolley.

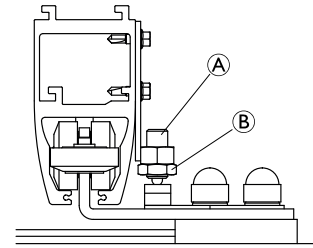
The traverse rail and transit coupling must be coupled when mounting the parallel rail part of the positioning fixture. This way it is possible to tick up for correct position of the fixtures before they are mounted. After the right position is ticked up, the rails are separated again before the $\text{Ø}4$ mm holes for the screws are drilled. See drawing below.



Adjustment of hardness

The positioning fixtures must be adjusted to a hardness that makes it easy for the coupling to catch the traverse rail, but at the same time, makes it possible for the rail to pass the coupling without getting caught by the coupling.

1. If the positioning fixture is adjusted too hard, loosen the resilient black screw (A).
2. If the positioning fixture is too soft, tighten screw (A).
3. Tighten lock nut (B) (M12) after any adjustment.



Adjustment of positioning fixtures

The parallel rail part of the positioning fixture can be adjusted further by loosening the screws and moving the fixture horizontally until the rail is right in front of the coupling.

After adjustment the fixture can be fastened.

Note that there is some play, which must be divided between both sides of the rail.


3.11 Installing the ceiling hoist to the rail system

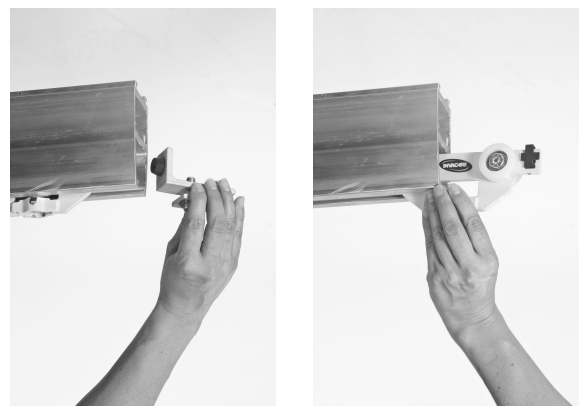
Robin requires a trolley, guiding the ceiling hoist in the rail system. Robin Mover has the trolley built-in and can be installed directly to the rail system.

3.11.1 Installing Robin®



Tools: 4 mm Allen key; 17 mm socket wrench

1. To install the trolley, remove the end stop that is attached to the rail system.
 -  In some countries/ local areas, there is a demand for double securing of the end stops. If an extra securing screw is installed, remove this screw before.

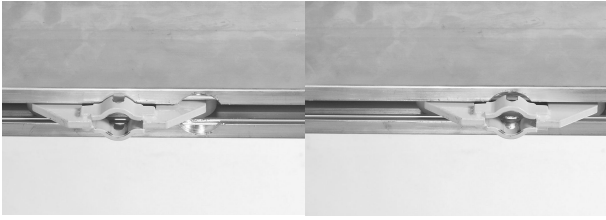


2. Insert the trolley into the rail (no matter which way, as the trolley is symmetric).
3. Re-insert the end stop.

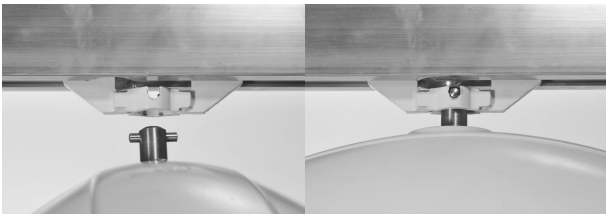


In some countries/ local areas, there is a demand for double securing of the end stops. If an extra securing screw is required, install this screw. See also *End Stop*, page 11.


4. Locate the hoist trolley at the \varnothing 32 mm round recess in the rail.

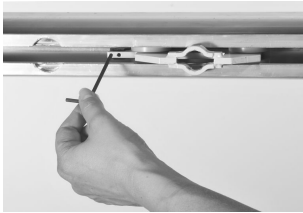


5. Lift the hoist and push the suspension pin through the trolley opening.




6. Turn the hoist by 90 degrees to fix it in the trolley.
7. Connect the hand control.
8. Adjust the length of the emergency stop/lowering cord to within the user's reach.

 If there is excessive resistance, or if the trolley unintentionally rolls by itself due to imbalance in the rail suspensions, adjust the friction brake using a 4 mm Allen key.



3.11.2 Installing Robin® Mover


The trolley is built-in on the hoist, and can therefore not be pre installed in the rail.

 Tools: 4 mm Allen key; 17 mm socket wrench

1. Remove the end stop.




2. Insert the wheels of the hoist into the rail.

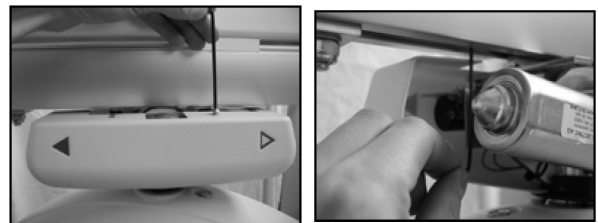
 The direction the hoist faces does not matter during installation.



3. Install the end stop.

 Tighten the bolt to 30 Nm.

4. If too much resistance is experienced when the hoist is pulled, or the hoist moves too freely and unintentionally, adjust the friction brake.



5. Connect the hand control.
6. Adjust the length of the emergency stop/lowering cord to within the user's reach.

3.12 Inspection / check of the rail system



CAUTION!

After the installation of a rail system, the entire system must be inspected.

- The inspection of a rail system must only be carried out by a suitably qualified person.
- The inspection must follow the *Safety inspection checklist / Rail system* in the Invacare® Robin® Service Manual.

In accordance with the European standard EN 10535, the system shall be stress tested with 300 kg. This should be done at each fixing point. This test is carried out as a

re-testing of the system structures ability to secure the rail system in place.

4 Technical Data

4.1 The rail system

All rail profiles are manufactured in extruded aluminium.

The rails are available with white powder coating.

The rails are available in three different heights; S= 68 mm, M=114 mm and L=183 mm, providing a free span of 2 m, 4 m and 8 m, respectively.

The profile width of all three profiles is 58 mm. The top of the profiles are shaped to permit the coupling of the rails to the installation brackets.

On delivery, the rail for the hoist will feature a milled groove on its bottom. This groove is used for hoist installation and is called keyhole.

Possible installations

Single rail can be installed on the ceiling or onto the wall and floor. The rail position in the room can be either parallel to a wall or angular in relation to a wall.

The traverse system can be installed on the ceiling or onto the wall and floor. The free span between the two parallel rails can be up to 8000 mm.

Curves are available in the S-profile and can be installed on the ceiling. They are available in angles of 30°, 45°, 60° and 90°.

Special solutions

Installation with pending brackets is used in the following cases: When the height of the ceiling varies in the lengthwise direction of the rail, or when the rail is to be countersunk.

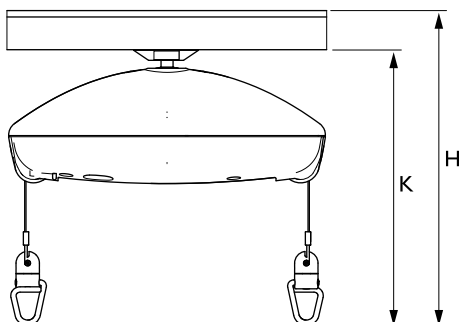
Angular installation is used when the rail has to be installed in other angles than 90°.

4.2 Dimensions for different track installations

The building dimensions of an installation is defined as the distance between the ceiling underside and the hooks of the hoist.

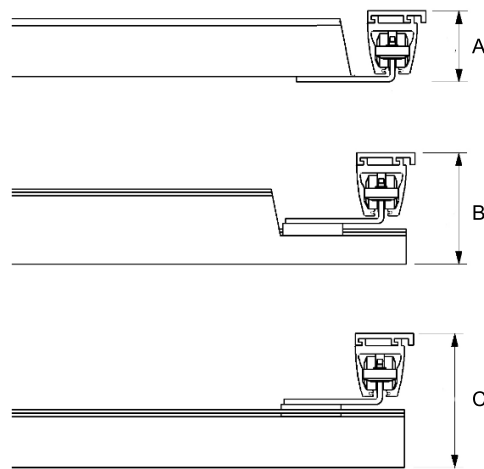
Single rail height

For the EC-Track system and Robin ceiling hoist, the dimensions for being built-in, measured from the ceiling with the rail mounted as close as possible to the ceiling, are:



		Robin	Robin Mover
K	Measured from beneath the rail to the sling hook	336 mm	396 mm
H	Ceiling mounted Rail profile S	410 mm	470 mm
	Wall/floor mounted Rail profile M	450 mm	510 mm
	Wall/floor mounted Rail profile L	519 mm	579 mm

Traverse rail system height



A = Between-hung traverse

B = Partly between-hung traverse

C = Under-hung traverse

Possible combinations

Traverse rail	Parallel rail	A	B	C
S-profile	S-profile	83 mm	—	156 mm
M-profile	S-profile	—	156 mm	203 mm
	M-profile	129 mm	203 mm	250 mm
L-profile	S-profile	—	—	272 mm
	M-profile	—	—	319 mm
	L-profile	198 mm	272 mm	388 mm

Indholdsfortegnelse

FORHANDLER: Opbevar denne manual. Procedurerne i denne manual SKAL udføres af en uddannet tekniker.

1 Generelt	30
1.1 Om denne manual	30
1.2 Generel sikkerhed	30
1.3 Garantioplysninger	30
2 Skinnesystem	31
2.1 Enkeltskinnesystem	31
2.2 Køresystem	32
2.3 Forflytning til eller fra lokale	33
2.4 Skinner, beslag og tilbehør.	34
3 Installation.	39
3.1 Generelle monteringsanvisninger	39
3.2 Loftsmonteringsystem	39
3.2.1 Betonloft	39
3.2.2 Betonloft med ophængt loft.	40
3.2.3 Træloft	42
3.3 Vægmontering – endeophængt skinne	43
3.3.1 Skinneprofil M og L	43
3.4 Vægmontering – sideophængt eller side-/endeophængt beslag.	44
3.5 Kurver.	44
3.6 Skinnetilkobling	45
3.6.1 Skinnetilkobling til profil M og L	45
3.6.2 Skinnetilkobling for profil S.	45
3.7 Vægstøtteben	46
3.8 Montering af køresystem.	46
3.9 Installation af skineskift	47
3.10 Transitkobling	47
3.10.1 Justering af hullet i væggen/døråbningen	47
3.10.2 Montering af transitkoblingen.	48
3.10.3 Montering og tilslutning af betjeningsknap og strømforsyning	49
3.10.4 Montering af et køresystem med låseanordning til transitkobling	49
3.10.5 Installation af en enkeltskinne til et koblingssystem	49
3.10.6 Montering af placeringsholderne på S-profilen og M/L-profilen for parallel skinne	49
3.11 Montering af løftmotoren på skinesystemet	50
3.11.1 Montering af Robin ®	50
3.11.2 Montering af Robin® Mover	51
3.12 Eftersyn/kontrol af skinesystemet	51
4 Tekniske Data.	53
4.1 Skinesystemet	53
4.2 Mål til forskellige skinneinstallationer.	53

1 Generelt

1.1 Om denne manual

Denne installationsmanual er beregnet som en vejledning til at planlægge og udføre installationen. For at vi kan garantere sikkerheden ved håndtering af produktet, skal manualen læses omhyggeligt, og sikkerhedsanvisningerne skal følges.

Se oplysninger om forsalg og brugeroplysninger i brugsanvisningen. Du kan finde brugsanvisningen på Invacares hjemmeside eller ved at kontakte din Invacare-forhandler (se adresser sidst i denne manual).

Symboler i denne manual

I denne manual vises faresituationer med symboler. Symbolerne ledsages af et signalord, der angiver, hvor alvorlig risikoen er.



ADVARSEL

Angiver en potentielt farlig situation, som kan resultere i alvorlig kvæstelse eller dødsfald, hvis den ikke undgås.



FORSIGTIG

Angiver en potentielt farlig situation, som kan resultere i en mindre eller lille kvæstelse, hvis den ikke undgås.



VIGTIGT

Angiver en potentielt farlig situation, som kan resultere i beskadigelse af ejendom, hvis den ikke undgås.



Tips og anbefalinger

Giver nyttige tips, anbefalinger og oplysninger, der sikrer en effektiv, problemfri anvendelse.



Indeholder oplysninger om det nødvendige værktøj.



Dette produkt er CE-mærket i overensstemmelse med forordningen 2017/745 om medicinsk udstyr i klasse 1. Lanceringsdatoen for dette produkt fremgår af CE-overensstemmelseserklæringen.

1.2 Generel sikkerhed



ADVARSEL!

Sikkerhedsregler før montering

- Alle installationer skal overholde de nationale regler og standarder.
- Brug kun godkendte installationskomponenter.
- På hvert enkelt ophængspunkt skal tag-/loftsstrukturen kunne bære en statisk vægt på mindst 300 kg.
- Før montering af et køresystem skal tag, vægge og gulv undersøges grundigt. Udfør en præcis vurdering af, hvilke materialer der findes i taget og væggene. Denne undersøgelse må kun foretages af en kompetent person.
- Skinnesystemet må kun monteres af kompetente personer.

Stresstest

I henhold til den europæiske standard EN 10535 skal systemet stresstestes med 300 kg. Dette skal gøres på hvert eneste fastgørelsespunkt. Denne test skal udføres som en test af substratets evne til at holde skinnesystemet på plads. Denne test skal foretages af en kompetent person.

1.3 Garantioplysninger

Garantivilkår og -betingelser indgår i vores generelle vilkår og betingelser, der gælder specifikt for de respektive lande, hvor produktet sælges.

Kontaktoplysningerne til din lokale Invacare-forhandler findes indvendigt på bagsiden af denne brugsanvisning.

2 Skinnesystem

2.1 Enkeltskinnesystem

Et enkeltskinnesystem er nyttigt i situationer, hvor der skal foretages løft på bestemte eller begrænsede steder (f.eks. under en anden skinne).

Et enkeltskinnesystem består af en lige skinne. Denne skinne kan monteres parallelt med væggene eller diagonalt i lokalet.

Skinnesystemet kan efter eget valg udvides med kurver med vinklerne 30°, 45°, 60° og 90°.

Skinnesystemet kan monteres på væggen eller i loftet.

Med et enkeltskinnesystem er det muligt at skjule installationen i loftet, så det kun er skinnens åbning, der kan ses.

2.2 Køresystem

Et køresystem er velegnet til situationer, hvor der er behov for et ubegrænset antal løftsteder i lokalet.

Et køresystem består af to parallelle skinner, der er monteret i loftet eller på væggen. På hver parallel skinne indsættes en kørevogn, der kan køre hele vejen langs de parallelle skinner fra endestop til endestop.

På tværs af de parallelle skinner er der monteret en køreskinne til de to kørevogne. Denne installation kan udføres på forskellige måder som vist i illustrationerne nedenfor. Med en kørevogn til løftmotoren indsat på køreskinnen kan løftmotoren køre hele vejen langs køreskinnen.

Systemet giver mulighed for et ubegrænset antal løftsteder, da køresystemet dækker hele lokalet.

Kombinationer af køresystemer

Skinner	Kombination	Mulige kombinationer
Parallel: S-profil Køresystem: S-profil	Underophængt køresystem: Mellempophængt køresystem:	
Parallel: S-profil Køresystem: M-profil	Underophængt køresystem: Delvist mellempophængt køresystem:	
Parallel: S-profil Køresystem: L-profil	Underophængt køresystem:	
Parallel: M-profil: Køresystem: M-profil:	Underophængt køresystem: Mellempophængt køresystem: Delvist mellempophængt køresystem:	
Parallel: M-profil: Køresystem: L-profil	Underophængt køresystem:	

Skinner	Kombination	Mulige kombinationer
Parallel: L-profil Køresystem: L-profil	Underophængt køresystem: Mellemophængt køresystem: Delvist mellemophængt køresystem:	

2.3 Forflytning til eller fra lokale

Forflytning til eller fra lokale med to løftemotorer

Forflytning til eller fra et lokale kan foretages med to Robin-løftemotorer – en i hvert lokale. For at gøre denne handling lettere anvendes der en Invacare-kørevogn fra lokale til lokale.

Det er muligt at foretage forflytning fra lokale til lokale i både enkeltinstallationer og installationer, der dækker hele lokaler. Det er vigtigt, at skinnerne er placeret så tæt på dørtrinnet som muligt. Ved installation af et skinnesystem, der dækker hele lokalet og er beregnet til forflytning fra lokale til lokale, skal køreskinnen installeres lodret på væggen med dørtrinnet. Afstanden mellem de to endestopbuffer må ikke overstige 600 mm. For at opnå det bedst mulige resultat ved forflytning fra lokale

til lokale skal der være en minimumsafstand på 1,85 m mellem gulvet og undersiden af løftemotoren. Dette skal overholdes under installation af skinnesystemet.

Forflytning fra lokale til lokale med transit (transitkobling)

Som alternativ er det muligt at forflytte fra lokale til lokale ved hjælp af en installeret transitkobling.

Koblingen kan enten bruges til at forbinde to køresystemer eller et køresystem og et enkeltskinnesystem.

Koblingen betjenes elektrisk med en betjeningsknap, der er monteret på væggen. Koblingen leveres i en standardlængde på 800 mm.

Du kan finde flere oplysninger i kapitel 2.4 *Skinner, beslag og tilbehør*, side 34 og 3.10 *Transitkobling*, side 47.

2.4 Skinner, beslag og tilbehør

Skinneprofil S, M og L

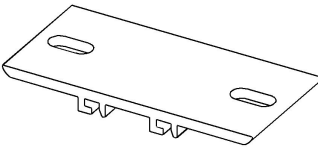
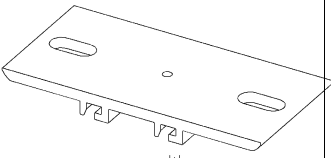
Type		Beskrivelse	Oplysninger
Skinneprofil S		Maks. længde = 7,8 m Maks. spændvidde uden støtte: 2 m	farve: hvid
Skinneprofil M		Maks. længde = 7,8 m Maks. spændvidde uden støtte: 4 m	
Skinneprofil L		Maks. længde = 7,8 m Maks. spændvidde uden støtte: 8 m	

Kurver 30°, 45°, 60°, 90°

Type		Beskrivelse	Oplysninger
Kurve 30°		Skinneprofil S med kurve 30° og 2 x 200 mm lige skinne	Alle kurver har en radius på 400 mm. Alle kurver leveres som højre eller venstre kurver. Der findes karakteristika for højre og venstre i kapitel 3.5 <i>Kurver, side 44</i>
Kurve 45°		Skinneprofil S med kurve 45° og 2 x 200 mm lige skinne	
Kurve 60°		Skinneprofil S med kurve 60° og 2 x 200 mm lige skinne	
Kurve 90°		Skinneprofil S med kurve 90° og 2 x 600 mm lige skinne	

Loftsbeslag

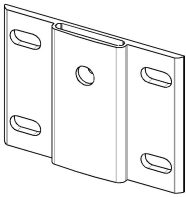
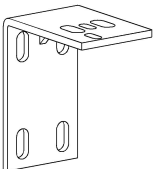
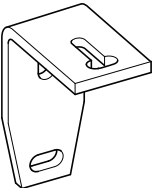
Type		Beskrivelse	Oplysninger
Loftsbeslag, lyn		Loftsbeslag med skjulte fastgørelsesdele. Bruges til loftsinstallation af enkeltskinne- og køresystemer. Størrelse (B x D x H): <ul style="list-style-type: none"> • 30 x 68 x 14 mm (til kurver) • 70 x 68 x 14 mm (til almindeligt loftsophæng) • 120 x 68 x 14 mm (til skinnetilkobling) 	Installation: Se kapitel 3.2 <i>Loftsmonteringssystem, side 39</i> .
Loftsbeslag, lyn, køresystem		Beslag til køresystem og sideophængt væginstitution Beslaget monteres under kørevognen på den underophængte og delvist mellemophængte køreenhed.	

Type		Beskrivelse	Oplysninger
Loftsbeslag, standard		Loftsbeslag med synlige fastgørelsesdele Bruges til loftsinstallation af enkeltskinne- og køresystemer. Størrelse (B x D x H): <ul style="list-style-type: none"> • 30 x 146 x 14 mm (til kurver) • 70 x 146 x 14 mm (til almindeligt loftsophæng) • 120 x 146 x 14 mm (til skinnetilkobling) 	
Standardloftsbeslag med lås		Loftsbeslag med låseskrueopmåling (70x146). Bruges til loftsmontering med mindst 1 pr. lige skinne. Dette sikrer, at skinnen ikke forskydes efter monteringen. Størrelse (B x D x H): <ul style="list-style-type: none"> • 70 x 146 x 14 mm 	

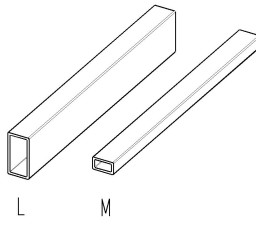
Afstandsstykker

Type		Beskrivelse	Oplysninger
Afstandsstykke til standardloftsbeslag		Kan fås til loftsbeslag med 30, 70, 120 mm bredde. Højde: <ul style="list-style-type: none"> • 1 mm • 3 mm • 5 mm 	Afstandsstykker skal bruges til monteringer for at kompensere for mulige højdeforskelle i tag-/loftsstrukturen.

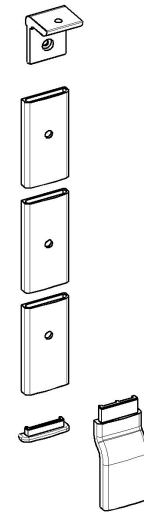
Vægbeslag

Type		Beskrivelse	Oplysninger
Vægbeslag, endeophængt		Bruges ved montering af skinner på en væg. De kan bruges, når væggene har en tilstrækkeligt høj bæreevne, ved lige montering og diagonalt med en væg. Bruges sammen med indføringsrør og konsol.	Installation: Se kapitel 3.3 <i>Vægmontering – endeophængt skinne</i> , side 43.
Vægbeslag, sideophængt		Bruges ved montering af sideophængte skinner. Kan anvendes, hvis væggen har tilstrækkelig bæreevne.	Installation: Se kapitel 3.4 <i>Vægmontering – sideophængt eller side-/endeophængt beslag</i> , side 44
Vægbeslag, side- og endeophængt		Bruges ved montering af enten sideophængte eller endeophængte skinner. Kan anvendes, hvis væggen har tilstrækkelig bæreevne.	Installation: Se kapitel 3.4 <i>Vægmontering – sideophængt eller side-/endeophængt beslag</i> , side 44

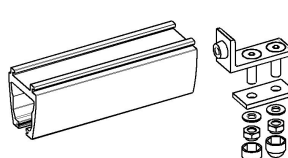
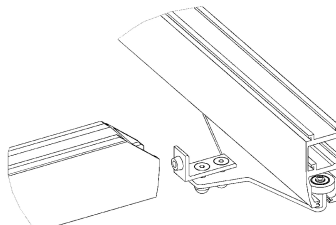
Indføringsrør

Type		Beskrivelse	Oplysninger
Indføringsrør til skinneprofil M eller L		<p>Bruges ved montering af endeophængt skinne på væg, ved sammenkobling af to skinner eller ved montering af skinner diagonalt i et lokale.</p> <ul style="list-style-type: none"> • Indføringsrør til skinneprofil M: Længde 800 mm. • Indføringsrør til skinneprofil L: Længde 1 m. 	Indføringsrøret leveres afhængigt af den individuelle monteringsituation.

Vægstøtteben, konsol og vægstøttefod

Type		Beskrivelse	Oplysninger
Vægstøtteben		<p>Bruges, hvis væggen ikke har tilstrækkelig bæreevne ved montering af skinnen på væggen. Kan bruges til énskinnebanerne og til køresystemerne. Benlængde: 2,6 m / 3 m</p>	Installation: Se kapitel 3.7 <i>Vægstøtteben, side 46</i>
Vægstøtteben, konsol		<p>Konsollen bruges sammen med det endeophængte vægbeslag ved lige eller diagonal montering.</p>	
Vægstøttefod		<p>Lav fod til lokaler uden gulvpaneler Høj fod til lokaler med paneler langs gulvet</p>	

Endestop

Type		Beskrivelse	Oplysninger
Endestop		<p>Endestoppet monteres på alle skinneudløb, hvilket sikrer, at kørevognene ikke forlader skinneresystemet.</p> <p>Når endestoppet monteres, skal gummiproppen vende mod kørevognen.</p>	
endestop til køreskinne		<p>Når køresystemet er mellemophængt, skal endestoppet på køreskinne monteres i kørevognen.</p> <p>Når skinnerne er monteret på en væg, skal endestoppet placeres så langt inde på skinnen, at løftmotoren ikke rammer væggen</p>	



I visse lande/områder er det påkrævet at dobbeltsikre endestoppene. Denne ekstra sikring kan opnås ved at montere en af følgende:

- M5 x 16 mm gevindskåret skrue (f.eks. Bufab/Swebolt MRX eller lignende), 10 mm fra hver ende af skinnen, 25 mm fra skinnens underside (skruen kan monteres i et forboret hul Ø4,3 mm).
- Ø6,3 x 22 mm gevindskåret skrue (f.eks. Bufab/Swebolt R6B eller lignende), 10 mm fra hver ende af skinnen, 18 mm fra skinnens underside.

Kørevogne

Type		Beskrivelse	Oplysninger
Kørevogn til løftemotor		Kørevognen til løftemotoren kan bruges til individuelle énskinnebaner og til køresystemer. Kørevognen til løftemotoren bruges, når en Robin-løftemotor skal monteres på skinnesystemet.	
Kørevogn		Kørevognen bruges ved montering af et køresystem. Til et køresystem bruges der altid to kørevogne.	
Kørevogn fra lokale til lokale		Kørevognen fra lokale til lokale bruges, når der skal foretages en flytning fra et lokale til et andet, normalt over dørtrin.	

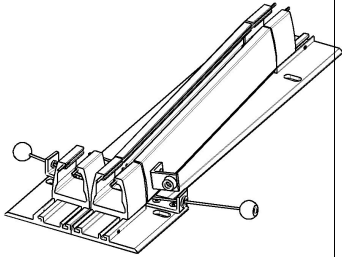
Endepropper til skinner

Type		Beskrivelse	Oplysninger
Endeprop til skinner S, M, L		Endepropper til skinner leveres til skinneprofiler i tre størrelser. Farve: hvid. Bruges til at aflukke begge ender af alle skinner. Montering: Trykkes ind i skinneprofilen, efter at skinnesystemet er monteret.	

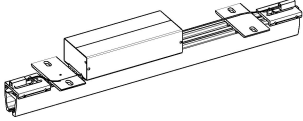
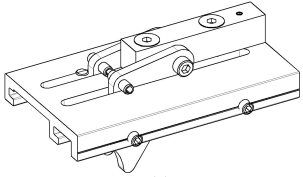
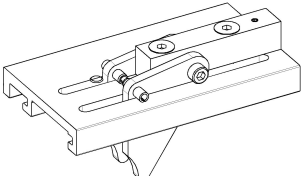
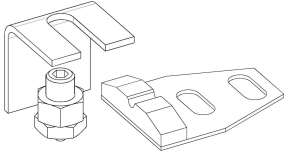
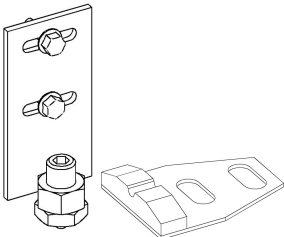
Ophæng

Type		Beskrivelse	Oplysninger
Ophæng, justerbare		Ophæng anvendes, hvis der er behov for at montere et skinnesystem, der sidder lavere end det oprindelige lofts niveau. Kan bruges i skjulte installationer og i synlige installationer. Størrelser (justerbar længde): <ul style="list-style-type: none"> • 200-300 mm • 280-460 mm • 440-740 mm 	Installation: Se 3.2.2 <i>Betonloft med ophængt loft, side 40.</i>

Skinnekontakt

Type		Beskrivelse	Oplysninger
Skinnekontakt, manuel		Skinnekontakten betjenes manuelt og monteres med et standardloftsbeslag. Skinnekontakten bruges sammen med et loftsmonteret enkeltskinnesystem med S-profil, hvor det er nødvendigt at skifte retning, mens patienten flyttes.	Installation: Se kapitel 3.9 <i>Installation af skinneskift</i> , side 47

Transitkobling

Type		Beskrivelse	Oplysninger
Transitkobling		Transitkoblingen betjenes elektrisk og monteres med ophæng i loftet på begge sider af væggen. Længde: 800 mm. Koblingen bruges til at flytte en patient fra lokale til lokale. <ul style="list-style-type: none"> • i køresystemer med S-, M,- og L-skiner. • i et enkeltskinnesystem kun med S-profilskinner. 	Kontrolknop (til væggen) og en transformer medfølger ved levering. Installation: Se kapitel 3.6 <i>Skinnetilkobling</i> , side 45
Låseanordning til køreprofil S		Skal monteres på køreprofilen i den tilkoblede ende. Den monteres for at sikre, at køreskinne og koblingen er låst og tilsluttet korrekt, før der kan foretages en flytning til et andet lokale.	
Låseanordning til køreprofil M/L		Skal monteres på køreprofilen i den tilkoblede ende. Den monteres for at sikre, at køreskinne og koblingen er låst og tilsluttet korrekt, før der kan foretages en flytning til et andet lokale.	
Placeringsholder til S-profil for parallel skinne		Monteres på den parallelle skinne tæt på koblingen for at placere køreskinne korrekt i forhold til koblingen.	
Placeringsholder til M/L-profil for parallel skinne		Monteres på den parallelle skinne tæt på koblingen for at placere køreskinne korrekt i forhold til koblingen.	

3 Installation

3.1 Generelle monteringsanvisninger

Før montering af et skinneresystem skal der foretages en omhyggelig og præcis opmåling i lokalet. Det er også vigtigt at bestemme beskaffenheden af loftet, væggene og gulvet for at tage stilling til, om skinnerne skal monteres i loftet eller på væggene. Derefter skal du beslutte, hvor mange løftsteder der er behov for i lokalet.

Når løftstederne defineres, er der brug for en individuel vurdering, som tager højde for den individuelle brugers kropsbygning og antallet af plejere.

Den følgende typiske placering af løftsteder kan anvendes som en generel retningslinje:

Seng	1 m fra den indvendige side af sengens hovedende
Toilet	150 mm fra forkanten
Badekar	1/3 fremme (siddeposition), 1/2 fremme (bagudkipningsposition)
Skiftebord	1 m fra hovedenden af bordet

Når der opmåles til det valgte skinneresystem, skal der tages højde for en velegnet parkeringsplads til løftmotoren, når den ikke er i brug. En velegnet placering kunne være i nærheden af en væg, hvor løftmotorens oplader er monteret på væggen.

Kontrollér den tilpassede skinne samt beslagene og andet tilbehør i forhold til illustrationen.

Kontrollér, at eventuelle grater og metalspån er blevet fjernet fra skinnerne, for at forhindre dette støv i at sætte sig fast i kørevognens hjul, hvor det kan støje og forårsage driftsfejl.

I tilfælde af enkeltskinner og kurvede skinner, der skal bruge tilkobling, skal du bruge de medfølgende rørsplitter.

1. Skub rørsplitterne halvvejs ind i den ene skinne. Hullerne bores til $\varnothing 3,2$ mm i den skinne, som den tidligere nævnte skinne skal kobles sammen med. Derefter indsættes den næste skinne over rørsplitterne.
2. Skub den næste skinne ind i de splitter, der stikker ud. Bor ikke flere huller i den første skinne.
3. Montér beslaget med henblik på skinnetilkobling.

Når du monterer et køresystem, hvor de parallelle skinner strækker sig fra væg til væg, skal minimumsafstanden fra skinne til væg være 60 mm. Sæt kørevognen og skinnens endestop ind i de parallelle skinner før montering. Hvis dette ikke gøres, skal de parallelle skinner slutte mindst 350 mm fra væggen for at sikre, at kørevognen kan monteres efterfølgende.

Når du monterer en énskinnebane eller en køreskinne i et køresystem, er det vigtigt, at skinnen i den ene ende stopper mindst 160 mm fra væggen, så det er muligt at montere kørevognen til løftmotoren efterfølgende.

Ved sekundær montering af Robin Mover skal afstanden være mindst 300 mm.

Ved montering af skinner med beslaget direkte i loftet skal du sikre, at loftet er jævnt og vandret. (Afstandsstykker med en tykkelse på hhv. 1 mm, 3 mm og 5 mm kan bruges til at udligne eventuelle ujævnheder).

Nøglehul til monteringspunkt

Alle EC-Track-systemer skal klargøres med et monteringspunkt til løftmotoren.

Dette monteringspunkt vises som en 32 mm rund fræsset rille i bunden af den skinne, som løftmotoren skal monteres på. Denne fræsede rille kaldes nøglehullet.

Ved montering af skinneresystemet er det meget vigtigt, at dette monteringspunkt placeres i overensstemmelse med anvisningerne nedenfor.

1. Generelt skal nøglehullet altid placeres så tæt på enden af en skinne som muligt. Det skal dog være mindst 250 mm fra enden af skinnen.
2. Hvis skinnen strækker sig fra væg til væg, skal det placeres mindst 400 mm fra skinneprofilens ende.
3. Hvis der monteres et køresystem, skal nøglehullet placeres så tæt som muligt på tværs af enden af skinnen. Det skal dog være mindst 250 mm fra enden af skinnen. Hvis køreskinnen fortsætter hele vejen ud til væggene, skal det placeres mindst 400 mm fra enden af skinnen.

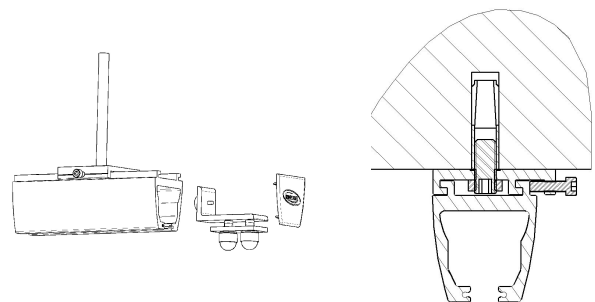
3.2 Loftsmonteringsystem

3.2.1 Betonloft

Når der henvises til montering i betonlofter, skelner vi mellem massiv beton (fabriksstøbte betonelementer, forspændte betonflader, forstærket beton) og hule overflader.

Montering med lynloftsbeslag


Ved brug af lynloftsbeslag skal alle loftsbeslag monteres i loftet. Skinnen kan derefter monteres i disse. Der skal bruges mindst tre loftsbeslag pr. skinne. Der må herefter være maks. 700 mm mellem hvert beslag. Der må være maks. 200 mm fra enden af skinnen til det første beslag.



Mål op til alle beslag på samme tid. Det er vigtigt, at de borede huller er på en lige linje. Den præcise markering til hullerne skal foretages via laserteknik, målebånd eller lignende.

Montering i massiv beton og hule overflader:

1. Bor huller med et 15 mm slagbor til en dybde på 54 mm. Støvsug hullerne rene.
2. Indsæt M12-slagankre i hullet (f.eks. Hilti HKD-S M12 eller lignende).
Når du bruger et sætteværktøj (f.eks. Hilti HSD-G M12x50 eller lignende), bliver ankeret fæstnet korrekt i betonen.
3. Montér lynbeslaget ved at skrue den formonterede gevindstang ind i slagankeret.
Det er vigtigt, at der bruges et klæbemiddel på beslag og møtrik, når gevindstangen monteres på beslaget.

 For at sikre maksimal styrke skal gevindstangen skrues min. 14 mm ind i ankeret.

Når du bruger et slaganker sammen med lynbeslaget, kræves der maksimal nøjagtighed. Som alternativ anbefales brug af todelt klæbende mørtel til beton.

Når alle beslag er monteret, skal du skubbe kørevognen til løftmotoren ind på skinnen. Kørevognen til løftmotoren kan vende begge veje. Hvis kørevognen skal monteres på skinnen, er det vigtigt, at den vender rigtigt i forhold til den efterfølgende montering af køreskinen.

Endestoppet monteres i begge ender af skinnen. Endestoppet skubbes ind på skinnen med gummiproppen først og fastgøres løst med fingrene i første omgang.

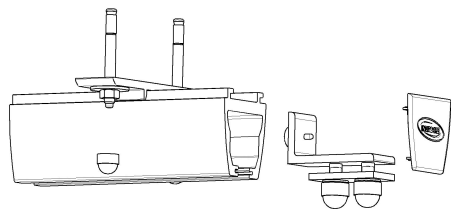
Løft skinnen op, juster dens længde, og fastgør den på alle loftsbeslagene.


Placér de justerbare endestop korrekt, og spænd dem til. Det er vigtigt, at endestoppet placeres, så løftmotoren ikke rammer væggen.


Ved brug af parallelle skinner i et køresystem er det vigtigt, at endestoppet placeres, så kørevognene rammer endestoppet på samme tid.

Montering med standardloftsbeslag

Loftsbeslagene skubbes ind på skinnen og fordeles med maks. 2 m mellem hvert beslag og 200 mm fra det sidste beslag ved enden af skinnen. Brug mindst tre beslag pr. skinne. Det anbefales at bruge et ulige antal beslag, hvis der kun er én person til at montere skinnen. På den måde bliver der placeret et beslag i midten, hvilket skaber balance, når skinnen hænges på den første bolt.



 I mindst den ene ende af skinnen skal du bruge et beslag med låseskrue, som skal fastgøres til skinnen.

1. Mål op til hullet til den ene udvidelsesbolt på det midterste beslag.
Bor hullet til en dybde på ca. 80 mm med et 8 mm slagborehoved. Hullet er dybere end længden på udvidelsesbolten for at lette en eventuel afmontering på et senere tidspunkt. Ved afmontering kan du herefter føre bolten helt ind i stedet for at trække den ud.
2. Før en udvidelsesbolt M8x75 (f.eks. Hilti HSA eller lignende) ind, og sørg for at give god plads til beslagets tykkelse (6 mm), låseskiven (2 mm) og møtrikken (7 mm) plus en lille smule ekstra plads. Når du har ført bolten ind, skal du tage møtrikken og spændeskiven ud.
3. Indsæt kørevognen til løftmotoren i skinnen. Kørevognen kan vendes i begge retninger.
4. Hvis du monterer kørevognen, skal du sikre, at den vender rigtigt i forhold til den efterfølgende montering af køreskinen.
5. Montér endestop i begge ender af skinnen. Indsæt de justerbare endestop på skinnen med gummipropsiden først, og sørg for, at stålpladen vender mod bunden af skinnen. Spænd skrueerne med fingrene.
6. Løft skinnen på plads, montér spændeskiverne og møtrikkerne, og spænd dem forsigtigt. Justér skinnen i længderetningen og i vinkelretningen, og spænd møtrikken.
7. Bor hullet til beslaget i den ene ende af skinnen, men på den modsatte side af skinnen. Før udvidelsesbolten ind, foretag de sidste justeringer, og spænd den.
Bor derefter de resterende huller i den ene ende af åbningen til beslaget. Hvis borehovedet rammer en forstærkningsstang, før hullet er (50 mm) dybt, skal du blot bore i den anden ende af åbningen. Hvis borehovedet rammer forstærkningsstangen igen, skal du bevæge beslaget ca. 20-25 mm langs med skinnen. Beslaget vil derefter dække for de ufærdige huller.
 Hvis hullets dybde er mellem 50-70 mm, skal du bruge en udvidelsesbolt M8x57.
8. Før de resterende udvidelsesbolte ind, sæt spændeskiverne og møtrikkerne på plads, og spænd dem.
9. Anbring de justerbare skinnestop korrekt, og spænd dem til. Sørg for at placere endestoppene, så løftmotoren ikke rammer væggen.
Ved montering af parallelle skinner i et køresystem skal du sørge for at placere endestoppene på præcis de samme punkter, hvor kørevognen ramte endestoppene på samme tid.

3.2.2 Betonloft med ophængt loft

I lokaler med ophængte lofter, som er svære at afmontere, anbefales det at vælge en løsning med vægmonterede eller vægstøttemonterede skinner.

Hvis det falske loft nemt kan fjernes, eller hvis der foretages en ny montering af et fastsiddende ophængt loft, anbefaler vi en installation med sænkebeslag, da det ser pænere ud. Til denne løsning skal den laveste skinneprofil S anvendes.

Montering med ophængsbeslag

I tilfælde af loftsmontering er det ofte nødvendigt at hænge skinnen nedad. Det kan være nødvendigt, hvis der skal monteres i et lokale med ophængt loft, hvor du skal lave et ophæng mellem det originale loft og det ophængte

loft, eller hvis loftet sidder så højt oppe, at du er nødt til at lade skinnen hænge nedad for at sikre, at løfteintervaller bruges så godt som muligt.

Der er flere muligheder ved montering med ophæng:

A – ophæng med gevindstænger og runde afstandsrør, der tilskæres på installationsstedet. Montering ved hjælp af denne metode beskrives detaljeret i dette afsnit.

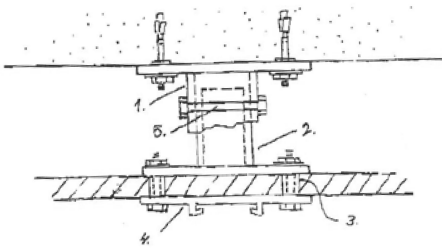
B – montering ved hjælp af justerbare ophæng. Dette ophæng består af en overdel og en underdel. Ved at skubbe overdelen ud på ydersiden af underdelen kan det justerbare ophæng dække et bestemt interval. Som standard kan et ophæng leveres med følgende intervaller:

- 200-300 mm
- 280-460 mm
- 440-740 mm

Når den korrekte ophængsafstand er blevet bestemt i forbindelse med samlingen, trækkes ophængt ud til denne længde og fastgøres med en skrue. Der bores derefter et hul hele vejen ind til en M8x65-bolt for at fastlåse ophængt i den ønskede længde.


Ophængets overdel skal monteres i loftet som beskrevet i kapitel 3.2.1 *Betonloft*, side 39 og 3.2.3 *Træloft*, side 42 på samme måde som ved montering med standardbeslag.

Ophængets underdel skal monteres på det sidste standardloftsbeslag som vist i illustrationen nedenfor:



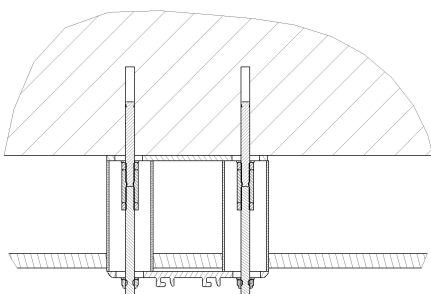
- 1. Ophæng, overdel
- 2. Ophæng, underdel
- 3. Afstandsrør gennem sænket loft, Ø15
- 4. Standardloftsbeslag
- 5. Gennem låseskrue, M8x65

Ophængt kan også blive leveret med foruddefinerede mål, så det ikke er nødvendigt at justere før montering.

 Husk også at bestille loftsbeslag, når der bestilles ophæng.

Nedtageligt ophængt loft

I tilfælde af et nedtageligt ophængt loft er der adgang til det ophængte loft, og ophængsbeslag og skinne kan monteres på samme tid.




- Betonloft.

- Udvidelsesbolte M8x75, 2 stk.
- Befæstningsbøjle (stålplade til jævn installationsoverflade), 1 stk. 3 mm.
- M8-møtrikker, 4 stk.
- M8-koblingsmøtrikker, 2 stk. (Opsamlingsbøsning).
- M8-låsemøtrikker, 2 stk.
- Aluminiumrør Ø40, 2 stk.
- Loftsbeslag (standard), 1 stk.
- Nedtageligt ophængt loft.
- M8-gevindstænger, 2 stk.
- Spændeskiver, 2 stk. 11 x 35 x 2.

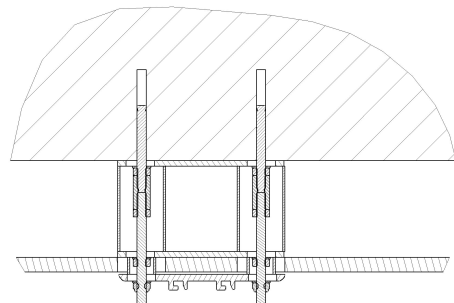
(Et HKD-anker kan bruges som alternativ, som stængerne fastgøres direkte på).

1. For at sikre, at ophængsbeslagene får den rigtige længde, skal du bruge afstanden mellem betonloftet og den nederste kant på det ophængte loft som udgangspunkt. Denne afstand bruges til at fastsætte længden på ophængsbeslaget og på gevindstangen. Deres længde skal svare til den tidligere målte afstand, der er nævnt ovenfor.
2. Ved installation skal du først montere befæstningsbøjlen til det midterste loftsbeslag. Dette gøres ved at følge anvisningerne for installation direkte i et betonloft. I dette tilfælde skal hullerne dog bores til begge udvidelsesbolte på samme tid.
3. Når udvidelsesboltene føres ind, skal du lade ca. 15 mm stikke ud under møtrikken, så du kan skru koblingsmøtrikken på til halvdelen af dens længde. Stram koblingsmøtrikken fra den anden side mod udvidelsesboltens møtrik. Mål op til hullet i et ophængt loft, og bor/skær dette hul til Ø40 mm.
4. Fastgør en M8-møtrik på gevindstangen (ca. 20 mm ind på stangen), skru stangen ind i koblingsmøtrikken, indtil den rammer udvidelsesboltens møtrik, og stram møtrikken fra den anden side.
5. Når dette er gjort, skal du skubbe de to aluminiumrør ind i hullerne og fastgøre skinnen som beskrevet i de generelle anvisninger.

 Afstanden mellem det ophængte loft og loftsbeslaget skal være mindst 1-5 mm for at forhindre skader på det falske loft.

Fastsiddende ophængt loft

I tilfælde af et fastsiddende ophængt loft skal skinnemonteringen udføres via to trin. Sænkebeslaget skal derfor fastgøres uden støtte fra loftsbeslaget.



- Betonloft.
- Udvidelsesbolte M8x75, 2 stk.
- Befæstningsbøjler (stålplade til jævn installationsoverflade), 2 stk. 3 mm.
- M8-møtrikker, 6 stk.
- M8-koblingsmøtrikker, 2 stk.
- M8-låsemøtrikker, 2 stk.

- Aluminiumrør Ø40, 2 stk.
- Afstandsør Ø20 (eller møtrikker og spændeskiver), 2 stk.
- Loftsbeslag (standard), 1 stk.
- Ophængt loft.
- M8-gevindstænger, 2 stk.
- Spændeskiver, 2 stk.

(Et HKD-anker kan bruges som alternativ, som stængerne fastgøres direkte på).

1. Skær ophængsbeslagsrøret til en længde, der svarer til den målte afstand mellem betonloftet og den nederste kant på det ophængte loft minus 50 mm. Denne længde passer til et dobbelt gipslag i loftet og en ekstra frigang på 12 mm.
2. Skær gevindstangen til en længde, der svarer til afstanden mellem betonloftet og den nederste kant på det ophængte loft minus 10 mm.
3. Ved montering skal du først montere den øverste befæstningsbøjle til midterbeslaget på skinnen. Montér befæstningsbøjlen som beskrevet i monteringsanvisningerne for direkte montering i et betonloft. I dette tilfælde skal du bore hullerne til udvidelsesboltene på samme tid.
4. Når udvidelsesboltene føres ind, skal du lade ca. 15 mm stikke ud under møtrikken, så du kan skrue koblingsmøtrikken på til halvdelen af dens længde. Stram koblingsmøtrikken fra den anden side mod udvidelsesboltens møtrik.
5. Fastgør en møtrik ca. 20 mm inde på stangen, og skru gevindstangen ind i koblingsmøtrikken, indtil den rører ved udvidelsesbolten, og stram møtrikken fra den anden side.
6. Montér den nederste befæstningsbøjle, og fastgør den med møtrikker.
 - ⓘ Undgå maling på den nederste del af gevindstængerne, før monteringen er fuldført.
7. Klargør resten af monteringspunkterne efter omhyggelig og præcis opmåling. Det første monteringsstrin er nu fuldført, og konstruktionen på det ophængte loft kan færdiggøres.

I den endelige montering skal afstandsørret placeres i det ophængte loft. Dette rør beskytter det ophængte loft. Skær afstandsørret til en længde, så der er en afstand på 1-5 mm mellem den nederste kant på det ophængte loft og den øverste kant på installationsbeslaget. I stedet for rør kan der anvendes møtrikker og spændeskiver til at sikre den anbefalede afstand.

3.2.3 Træloft

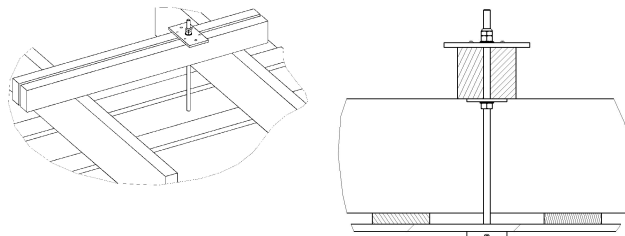


FORSIGTIG!

- Undlad at installere skinner på et træloft med spændeskruer, f.eks. franske skruer.
- Undlad at installere skinner på et træloft med almindelige træskruer uden at have foretaget en risikovurdering.

Lynbeslag

I visse tilfælde kan montering på et træværksloft være et alternativ til montering på væg eller vægstøtte.



Det forudsættes, at træværksloftet er tilgængeligt ovenfra. Ved montering på træværksloft skal der placeres ekstra træ for som forstærkning. Ved forstærkning er det vigtigt at vælge ekstra træ, der er dimensioneret, så det kan klare afstanden mellem to loftsbjælker, så der opnås tilstrækkelig bæreevne. Når der er målt op til alle loftsbeslag i loftet, skal du undersøge, om der er fri plads over loftsmaterialet. Når dette er gjort, skal der bores huller med en diameter på Ø12,5 mm gennem loftsmaterialet. Hullerne kan nu lokaliseres ovenfra. De kan klargøres til det ekstra træ, og du kan måle, hvor lange gevindstængerne skal være. Det ekstra træ skal dække mindst to loftsbjælker på hver side af ophængspunktet. Ved brug af ekstra træ skal der anbringes to stykker træ med målene 45 x 95 mm parallelt med hinanden i en afstand på 14 mm, hvilket giver passage til en M12-gevindstang. For at bestemme gevindstangens længde skal du fastsætte loftsbjælkens højde + længden på det ekstra træ + loftsmaterialet + 60 mm til spændeskiver og møtrikker.

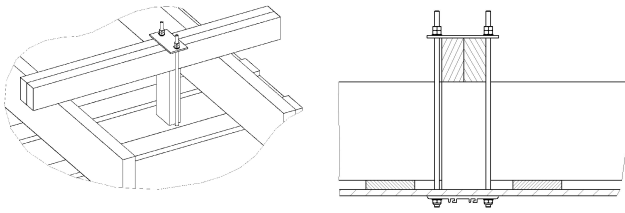
Placér den justerede gevindstang mellem det ekstra træ, og indsæt en spændeskive og en møtrik, før gevindstangen føres længere ned gennem loftet. Placér den med en aluminiumplade, en spændeskive og en møtrik over det ekstra træ. Aluminiumpladen skrues ind i det ekstra træ fra toppen. Lad ca. 25 mm af gevindstangen stikke ud under loftsmaterialet. Et lynloftsbeslag kan nu skrues ind i gevindstangen under loftsmaterialet. Loftsbeslaget fastgøres med en lille M12-møtrik. Gevindstangen skal skrues helt gennem møtrikken, men skal stikke ud længere nede under beslaget.

Ved montering af beslaget og møtrikken er det vigtigt at bruge et klæbemiddel på beslaget og på møtrikken. Når alle beslag er monteret, skal du løfte skinnen op, justere dens længde og fastgøre den. Før skinnen fastgøres til loftet, hvilket gøres fra oversiden af loftet, skal det kontrolleres, at det ekstra træ hviler på begge loftsbjælker. Hvis ikke, skal der placeres et materiale mellem dem.

Møtrikken over det ekstra træ fastgøres nu omhyggeligt, indtil beslaget ligger jævnt på loftsmaterialet. Det er vigtigt, at der ikke spændes så meget, at loftsmaterialet bliver trukket op mellem loftsbjælkerne. Når dette er gjort, anbringes en stålplade omkring gevindstangen under det ekstra træ, og møtrikken fastgøres til stålpladen, så denne position bliver fastlåst.

Endelig fastgøres en låsemøtrik til møtrikken på oversiden af det ekstra træ. Kørevogne, endestop og endepropper til skinner monteres som beskrevet i afsnit 5.2.1.

Standardbeslag



- Gevindstænger M10, 2 stk.
- M10-møtrikker, 4 stk.
- Befæstningsbøjle, 1 stk.
- Stivere 45 x 90 x 1500 mm, 2 stk.
- Bjælkelag.
- Under tag/loft.
- Loftsbeslag, 1 stk.
- Låsemøtrikker, M10, 2 stk.
- Spændeskiver, 2 stk. 11 x 35 x 2.

I visse tilfælde kan installation med passageskruer være et alternativ til installation på væg eller vægstøtte.

Dette kræver, at loftsbjælkelaget er tilgængeligt ovenfra. Dette er ofte tilfældet i etplanshuse. For at forstærke loftsbjælkelaget skal der placeres ekstra træ i målene 45 x 95 mm i sidelæns retning.

I stedet for udvidelsesboltene anvendes der en M10-gevindstang i passende længde. Der hviler en installationsplade (befæstningsbøjle) øverst på stiverne.

Det ekstra træ skal hvile på loftsbjælkerne i begge sider af ophænget. Hvis det ikke er muligt, skal det ekstra træ fastgøres, så det ikke vipper, når der kommer belastning på det.

De tre monteringspunkter, som er det minimale antal monteringspunkter pr. skinne for betonlofter, er ikke gældende for trælofter. Her er det den maksimale frigang, der bestemmer antallet af monteringspunkter.

Resten af installationsprocessen er identisk med processen for betonlofter. Det er dog nødvendigt at bore begge huller til det midterste beslag (standardbeslaget) på samme tid.

Tilskær gevindstængerne til den passende længde, og fastgør spændeskiverne og låsemøtrikkerne til M10-møtrikkerne.

Gevindstængerne skal skrues ind nedefra og op gennem befæstningsbøjlen. Befæstningsbøjlen fastgøres til det ekstra træ ovenfra med søm og skruer.

Før skinnen fastgøres til loftet, hvilket gøres fra oversiden af loftet, skal du kontrollere igen, at det ekstra træ hviler på to loftsbjælker. Hvis ikke, skal der placeres et materiale mellem dem.

Vær forsigtig, når du fastgør møtrikkerne, så der undgås skader på ophænget i loftet.

3.3 Vægmontering – endeophængt skinne

Følgende er kun anbefalinger. Alternativt kan der bruges udvidelsesbolte af lignende tykkelse og kvalitet. Følg altid leverandørens anbefalinger.

Ved montering med frit ophæng kan enden af skinnerne fastgøres til væggen med vægbeslag eller vægstøtte. Vælg vægstøtte, hvis du er i tvivl om vægmaterialets bæreevne. Ved montering af frit ophængte skinner skal du være

opmærksom på den maksimale skinnelængde afhængigt af den valgte skinneprofil. Afstanden mellem væggene skal være maks. 2 m for skinneprofil S, 4 m for skinneprofil M og 8 m for skinneprofil L.

Hvis du skal montere eller afmontere en kørevogn til løftmotoren efter installationen, skal afstanden fra den ene væg til skinnen være mindst 160 mm. Ved sekundær installation af Robin Mover skal afstanden være mindst 300 mm. Hvis du skal montere eller afmontere kørevognen efter installation, skal afstanden mellem den ene væg og skinnen være mindst 350 mm. (Minimumsafstanden fra skinne til væg skal altid være 60 mm. Hvis du har en vægmonteret skinneprofil S, kan du ikke montere eller afmontere kørevognen efter installation.

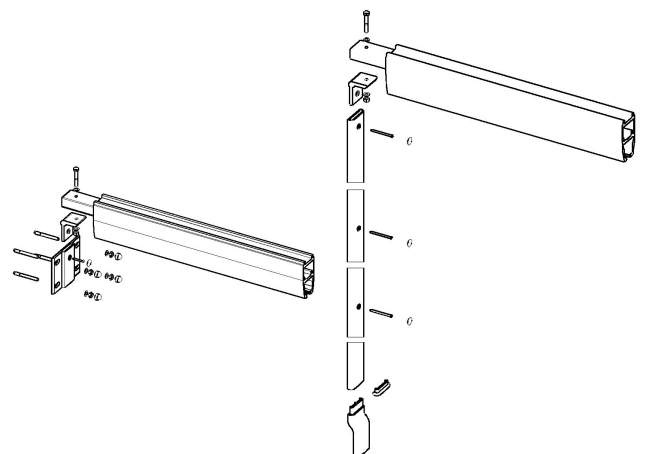
3.3.1 Skinneprofil M og L

Når du monterer vægbeslag eller vægstøtteben, skal du sørge for, at der er et mellemrum fra loftet ned til den øverste kant af vægbeslaget eller gulvstøtten. Mellemrummet skal være mindst:

- 80 mm for skinneprofil M
- 150 mm for skinneprofil L

Ved brug af vægstøtteben skal du tilskære støttebensprofilen til en passende længde i gulvenden.

 Husk at tage højde for gulvstøttefoden.



Hvis der er gulvpaneler, kan du enten bruge den høje vægstøttefod eller skære panelet væk.

Monter altid vægstøtteben lige ved væggen i deres fulde længde.

Markér hullerne ved hjælp af et vaterpas, og bor hullerne.

Betonvæg

Når der monteres en frithængende skinne på en betonvæg, skal der bruges et vægbeslag til montering.

Ved montering anbefaler vi at bruge enten udvidelsesbolte M10 x 68 (f.eks. Hilti HSA eller lignende), boredybde min. 60 mm, Ø10, eller klæbende mørtel (f.eks. Hilti HIT-HY 150 og HAS M10 eller lignende), boredybde min. 95 mm, Ø12 (ved montering i vådrum skal der bruges HAS i rustfrit stål, kvalitet A4-70).

Murstensvæg

Ved montering på mursten skal der anvendes almindelige vægbeslag. Vi anbefaler dog at bruge gulvstøtter, hvis murstensvæggen er meget porøs.

Ved montering på massive mursten anbefaler vi at bruge enten udvidelsesbolte M10 x 68 (f.eks. Hilti HIT-HY 50 og HAS M10 eller lignende), boreddybde min. 90 mm i ½ mursten og 170 mm i 1/1 mursten, Ø12 (ved montering i vådrum skal der bruges HAS i rustfrit stål, kvalitet A4-70).

Ved montering på hule mursten anbefaler vi at bruge enten en rammedyvel (f.eks. Hilti HRDUGT eller lignende), boreddybde min. 80 mm, Ø10, eller klæbende mørtel (f.eks. Hilti HIT-HY 20 og HAS M10 eller lignende), boreddybde min. 95 mm, Ø16.

Ved montering på porøst murværk anbefaler vi at bruge klæbende mørtel (f.eks. Hilti HIT-HY 50 og HAS M10 eller lignende), boreddybde min. 90 mm i ½ mursten og 170 mm i 1/1 mursten, Ø12. Hvis der anvendes vægbeslag til montering, skal der bruges HAS M8, boreddybde min. 80 mm, Ø10.

Letbeton

Ved montering i letbeton kan du enten bruge vægbeslag eller vægstøtter afhængigt af væggens stand. Ved montering anbefaler vi at bruge klæbende mørtel (f.eks. Hilti HIT-HY 50 og HAS M10 eller lignende), boreddybde min. 90 mm, Ø12 (M8 til montering af vægbeslag).

Du kan også bruge en dyvel til letbeton (f.eks. Hilti HGN, HUD-1 10L eller lignende), boreddybde min. 90 mm, Ø10 / HUD-1 8L, boreddybde min. 80 mm, Ø8.

Gipsvæg

Se også kapitel 3.7 *Vægstøtten*, side 46.

1. Fuldfør monteringen af vægbeslaget eller vægstøtten med konsol, vægstøtten og propper til at dække skruehullerne.
2. Anbring kørevognen til løftmotoren eller kørevognen på skinnen. Kørevognen til løftmotoren kan pege i begge retninger, og kørevognens retning skal svare til placeringen af køresystemet.
3. Indsæt endestop i begge ender af skinnen, og stram dem med fingrene i første omgang.
4. Indsæt indføringsrøret i skinnen. Hullet i røret skal vende udad.
5. Løft skinnen, mens du holder fast i indføringsrøret for at forhindre, at det glider ind i skinnen.
6. Montér indføringsrøret på konsollen på vægbeslaget eller på vægstøtten.
7. Justér skinnen, så dens længde passer med afstanden mellem væggen og skinnen.
8. Der skal være et overlap på mindst 300 mm mellem skinnen og indføringsrøret. Dette kontrolleres ved at kigge gennem inspektionshullet på siden af skinnen. Inspektionshullet er placeret præcis 300 mm fra enden af skinnen.
9. Når skinnen er placeret korrekt, skal du bore et Ø7 mm hul gennem skinne og indføringsrøret ca. 100 mm fra enden af skinnen. Fastgør skinnen i position med passageboltene M6 med låsemøtrikker.
10. Efter at have placeret skinnen skal endestoppet justeres til den korrekte position. Når endestoppet placeres, skal du sørge for, at løftmotoren ikke rammer væggen. Med et køresystem skal du sikre, at de to kørevogne rammer endestoppet på samme tid.

Vinklet, vægmonteret

Skinnen kan monteres diagonalt i lokalet. Skinnen må maksimalt vinkles 45°.

Monteringen udføres som beskrevet for almindelig vægmontering med eller uden vægstøtte. Røret leveres dog klargjort til vinklet montering.

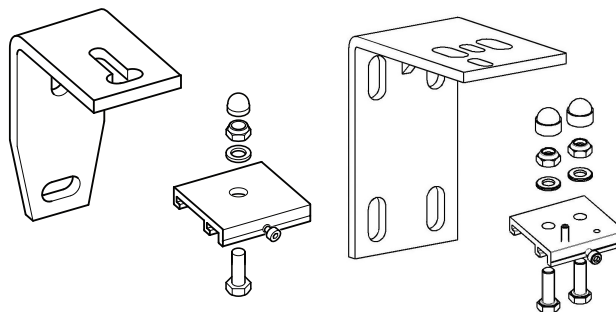
3.4 Vægmontering – sideophængt eller side-/endeophængt beslag

Ved montering af et sideophængt skinnesystem kan de parallelle skinner monteres tæt på væggen.

Ved montering af et sideophængt skinnesystem skal væggen være så stærk, at det ikke er nødvendigt med vægstøtten.

Ved montering af S-profilen er 2000 mm den maksimale afstand mellem hvert fastgørelsespunkt, men der skal være mindst tre punkter.

Ved montering af M-profilen er 4000 mm den maksimale afstand mellem hvert fastgørelsespunkt, men der skal være mindst tre punkter.



Mål altid afstanden mellem begge vægge præcist op med systemets korrekte højde og placering. Vægbeslaget kan indstilles +/- 6 mm. Hvis der er brug for mere, skal du bruge en plade på 6 mm mellem beslag og væg.

i Det færdige resultats udseende er påvirket af paralleliteten mellem væg og skinne. Brug stor nøjagtighed.

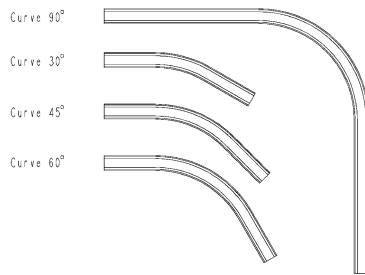
Køresystemets målinger er i dette tilfælde lokalets opmålte størrelse fratrukket 206 mm (hvis det er en mellemophængt installation) og 62 mm (hvis det er en underophængt installation).

Dette kræver igen en nøjagtig måling samt overvejelser omkring justerbarheden på grund af væggens ujævnhed.

Vægmontering afhænger af væggens struktur. Følg altid anbefalingerne i kapitel 3.3.1 *Skinneprofil M og L*, side 43. Efter montering af vægbeslagene og de to parallelle skinner skal du følge anvisningerne i afsnit 3.8 *Montering af køresystem*, side 46.

3.5 Kurver

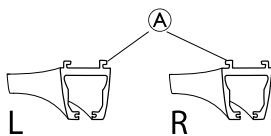
Følgende kurver er tilgængelige:



- Vinkel 30° 0,2 + 0,2 m lige ender
- Vinkel 45° 0,2 + 0,2 m lige ender
- Vinkel 60° 0,2 + 0,2 m lige ender
- Vinkel 90° 0,6 + 0,6 m lige ender

Alle kurver har en radius på 400 mm.

Kurverne kan fås med bøjning til højre og bøjning til venstre. Det er særligt vigtigt at skelne mellem højre og venstre kurver, når der er flere kurver i samme skinesystem.



- Venstre kurver (V): Monteringskanaler (A), der vender udad fra kurven.
- Højre kurver (H): Monteringskanaler (A), der vender indad mod kurven.

Rørsplitter og tilkoblingsbeslag med låseskruer bruges til at koble kurver sammen med lige skinner.

Beslagenes positioner på kurverne

Vinkel 30° 0,2 + 0,2 m lige ender: Et tilkoblingsbeslag i begge ender, hvis kurven er koblet til lige skinner.

Vinkel 45° 0,2 + 0,2 m lige ender: Et tilkoblingsbeslag i begge ender, hvis kurven er koblet til lige skinner, og et smalt beslag i midten af kurven.

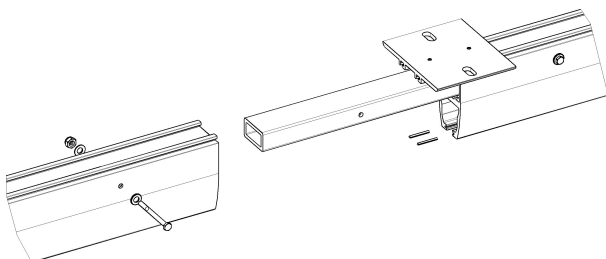
Vinkel 60° 0,2 + 0,2 m lige ender: Et tilkoblingsbeslag i begge ender, hvis kurven er koblet til lige skinner, og et smalt beslag i midten af kurven.

Vinkel 90° 0,6 + 0,6 m lige ender: Et tilkoblingsbeslag, hvis kurven er koblet til lige skinner, og et smalt beslag i midten af kurven.

Du kan finde monteringsanvisninger for kurver i afsnit: 5.2.1.1, afsnit 5.2.1.2.

3.6 Skinnetilkobling

3.6.1 Skinnetilkobling til profil M og L



Følgende dele bruges til skinnetilkobling:

- Skinneprofil M nr. 1.
- Skinneprofil M nr. 2.
- Indføringsrør (til profil M).
- Tilkoblingsbeslag (lynbeslag eller standardbeslag).
- Rørsplitter.
- Stopskruer.
- M6-bolt.
- Spændeskive.
- M6-låsemøtrikker.

Skub indføringsrøret halvvejs ind i skinneprofil nr. 1, og fastgør det med en passagebolt. Bor desuden hullerne til rørsplitterne i skinneprofil nr. 2 op til 3,2 mm i en dybde, der svarer til halvdelen af rørsplitternes længde. Før rørsplitterne halvvejs ind i skinneprofil nr. 1, og klem dem sammen i enden.

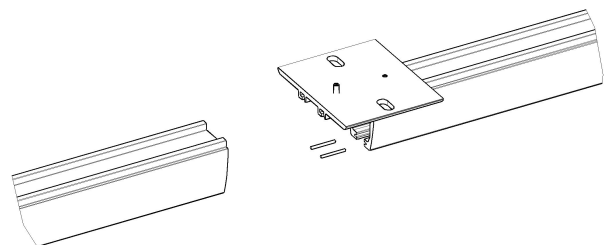
Skub tilkoblingsbeslaget halvvejs ind i skinneprofil nr. 1, og fastgør det med stopskruen.

Tilkoblingsbeslaget skal kun bruges, når skinnen monteres i loftet. Hvis du tilkobler en køreskinne, skal tilkoblingsbeslaget ikke bruges. Skub skinneprofil nr. 2 og nr. 1 sammen, og fastgør dem med låseskruen i tilkoblingsbeslaget og passagebolten.

Montér den tilkoblede skinne ved hjælp af anvisningerne til installation af lige skinneprofiler – se afsnit 5.2.

Ved tilkobling af lange skinner kan det være svært at løfte den tilkoblede skinne i ét stykke. I så fald skal du først montere den første skinne i loftet. Løft derefter den næste skinne, der er blevet klargjort til tilkobling, og skub skinnerne sammen.

3.6.2 Skinnetilkobling for profil S



Følgende dele bruges til skinnetilkobling:

- Skinneprofil nr. 1
- Skinneprofil nr. 2
- Tilkoblingsbeslag (lynbeslag eller standardbeslag)
- Rørsplitter
- Stopskruer

1. Bor hullerne til rørsplitterne i skinneprofil nr. 2 op til 3,2 mm i en dybde, der svarer til den halve længde af rørsplitterne.
2. Før rørsplitterne halvvejs ind i skinneprofil nr. 1, og klem dem sammen i enden.
3. Skub tilkoblingsbeslaget halvvejs ind i skinneprofil nr. 1, og fastgør det med stopskruen.
4. Indsæt skinneprofil nr. 2 i tilkoblingsbeslaget, og før de to skinner sammen.
5. Stram stopskruen på skinneprofil nr. 2.
6. Montér de tilkoblede skinner ved hjælp af monteringsanvisningerne for lige skinneprofiler.

**VIGTIGT!**

Ved tilkobling af lange skinner kan det være svært at løfte den tilkoblede skinne op i et stykke.

- I så fald skal du først montere den første skinne i loftet. Løft derefter den næste skinne, der er blevet klargjort til tilkobling, og før skinnerne sammen.

3.7 Vægstøtten

Vægstøtten bruges til montering på gipsvægge og vægge i andre lette materialer.

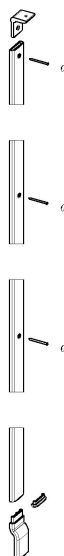
- Vægstøttenprofil (juster længde).
- Støttekonsol.
- Vægstøttefod.
- Plastdækselpropper.
- M6-skruer.

Vægstøttenet tilskræres til den rigtige længde i den ende, der vender mod gulvet.

Ved opmåling af profillængden skal du tilføje en minimumsafstand mellem det øverste punkt på beslaget og loftet.

Minimumsafstand, der skal tilføjes:

- M-profil: min. 80 mm
- L-profil: min. 150 mm



Monter vægstøttenet på væggen med tre skruer. Brug Ø6 mm skruer. Væg materialet afgør, hvilke skruer der skal bruges.



Ved montering i gips anbefaler vi at bruge (f.eks. Hilti HGA eller lignende) dyvler til huller (f.eks. Hilti HGA eller lignende).

Hvis der er gulvpaneler, kan du enten bruge den høje vægstøttefod eller skære panelerne væk.

**VIGTIGT!**

- Husk at tage højde for vægstøttefoden.
- Monter altid vægstøtten direkte på væggen i den fulde længde.

3.8 Montering af køresystem

Den parallelle skinner er monteret i loftet eller på væggen som beskrevet i det foregående afsnit om de aktuelle monteringsforhold.

Uanset om de to parallelle skinner er monteret ved hjælp af lynbeslag eller standardbeslag, er det vigtigt, at de to skinner ikke afviger mere fra deres parallellforløb på noget sted end +/- 2 mm.

Ved montering af parallelle skinner er det vigtigt at tage højde for, om det skal være muligt at indsætte en kørevogn

på et senere tidspunkt eller ej. Hvis ikke, kan skinnerne strække sig hele vejen ud til væggen (minimumsafstanden fra skinne til væg er altid 60 mm). I dette tilfælde er det vigtigt, at kørevognen og endestoppet skubbes ind på skinnen, før skinnen monteres. Hvis det er nødvendigt at indsætte kørevognen på et senere tidspunkt, er det vigtigt, at der er en minimumsafstand på 350 mm mellem den ene ende af skinnen og væggen.

Husk, at endestoppet for de parallelle skinner skal placeres, så de to kørevogne rammer endestoppene på samme tid.

Afstanden mellem to parallelle skinner måles altid fra midten af de to skinner.

Generelt gælder følgende for køreskinnen i forhold til frigangen mellem de parallelle skinner og det maksimale fremspring, som en skinne kan klare.

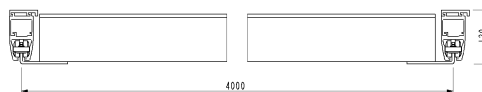
- Skinneprofil S: maks. frigang 2 m, maks. fremspring 200 mm
- Skinneprofil M: maks. frigang 4 m, maks. fremspring 200 mm
- Skinneprofil L: maks. frigang 8 m, maks. fremspring 400 mm



Når en skinne er monteret som delvist mellemophængt, er det altid det maksimale fremspring for S-profilen, der er gældende.

Ved montering af køreskinnen er der tre mulige metoder:

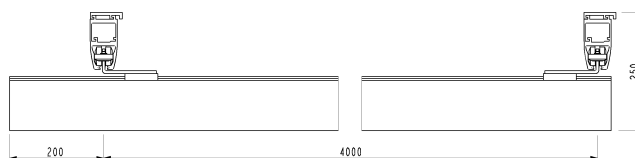
Køreskinnen er mellemophængt



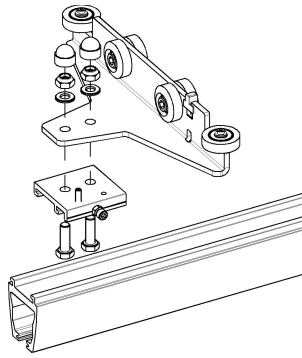
Målingen for køreskinnen er altid afstanden mellem de to parallelle skinner minus 86 mm.

Når køreskinnen er monteret som mellemophængt, indsættes kørevognen til løftmotoren på køreskinnen, og endestoppene placeres løst i begge ender af køreskinnen. Husk, at gummiproppen på endestoppet altid skal vende ind mod kørevognen til løftmotoren. Løft skinnen øverst på kørevognen, så endestoppets to bolte flugter med de to huller i kørevognen. Fastgør derefter endestoppet med spændeskiver og låsemøtrikker. Før skinnen fastgøres sikkert, er det vigtigt, at afstanden mellem køreskinnen og hver af de parallelle skinner er den samme i begge ender. Når skinnen fastgøres, skal du montere hættepropperne på låsemøtrikkerne og på skinnerne.

Køreskinnen er underophængt



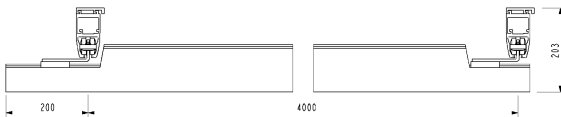
Når de parallelle skinner monteres, og kørevognene og endestoppene placeres og fastgøres, skal du montere quickbeslag under kørevognen som vist på tegningen.



Uanset om de to kørevogne vender ind mod hinanden eller vender samme vej, er det vigtigt, at de to quickbeslag vender samme vej – ellers opstår der problemer ved montering af skinnen.

Når køreskinnen er placeret korrekt i den længdegående retning og fastgøres med quickbeslaget med unbrakoskruen, låses skinnen med en midterskrue, som skrues ind i quickbeslaget ovenfra, indtil den er blevet skruet helt i.

Køreskinnen er delvist mellemophængt

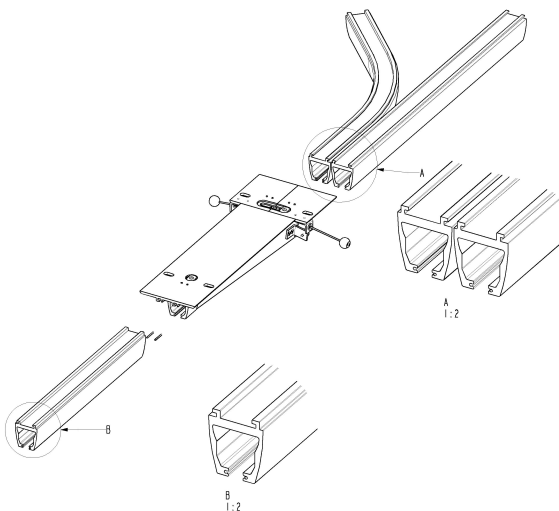


Når køreskinnen er delvist mellemophængt, bruges det samme monteringsprincip som til den underophængte køreskinne. Her tilskæres skinnen ved levering, så quickbeslaget kan monteres på skinnens midterophængspunkt.

Før montering af køreskinnen skal du tage stilling til, om det skal være muligt at montere kørevognen til løftmotoren på et senere tidspunkt eller ej.

3.9 Installation af skineskift

Skinnekontakten bruges, hvor det er nødvendigt at skifte retning, mens patienten flyttes. Skinnekontakten betjenes manuelt. Ved at koble skinnekontakten sammen med begge lige skinner samt med kurvede skinner er det muligt at opnå forskellige kombinationer.



Skinnekontakten kan kun bruges sammen med loftsinstallationsskinner og S-profilskinner. Skinnekontakten er designet til et standardloftsbeslag.

Under bestilling eller installation af et lige eller kurvet enkeltskinesystem er det vigtigt at huske på, hvilken retning monteringsdyvlerne på skinnekontakten skal vende i. Der er kun én tilgængelig standardskinnkontakt – se illustrationen.

Ved installation i betonloft skal du se kapitel 3.2.1 *Betonloft, side 39* (standardbeslag) og kapitel 3.6.2 *Skinnetilkobling for profil S, side 45*.

Der foretages en omhulning i skinnerne ved tilkobling af skinnerne. Denne omhulning foretages i skinnekontakten ved levering, og de nødvendige rørsplitter medfølger. Ved montering af skinnerne på kontakten skal du huske at spænde de forudinstallerede låseskrue på skinnekontakten – se illustrationen. I forbindelse med installation af en skinnekontakt i forskellige loftstyper eller i kombinationer med ophæng skal du kontakte Invacare® for at få flere oplysninger.



VIGTIGT!

– Efter installation skal skinnekontaktens funktion og fastgørelsen af endestoppene efterses.

3.10 Transitkobling

Transitkoblingen bruges i situationer, hvor der er behov for transport fra lokale til lokale ved hjælp af kun én Robin-motor. Koblingen betjenes elektrisk.

Transitkoblingen kan installeres i forskellige kombinationer af skinesystemer. Koblingen kan enten bruges til at forbinde to køresystemer eller et køresystem og et enkeltskinesystem.

Koblingen leveres med en standardlængde på 800 mm og kan bruges, hvor væggen har en tykkelse på op til 170 mm. Koblingen leveres med en betjeningsknap, en strømforsyning med 2 meter kabel (som skal justeres under installationen) og en brugsanvisning.



Hvis der er brug for en transitkobling i situationer, hvor væggen er tykkere end 170 mm, skal du kontakte Invacare®.

Ved bestilling af transitkoblingen er det vigtigt at bestille låseanordninger til skinnerne både i lokale 1 og 2. Ved tilkobling til et enkeltskinesystem skal du se afsnit 5.5 om skinnetilkobling. Ophæng til installationen leveres ikke sammen med koblingen. Bestil ophæng separat til koblingen i den påkrævede længde.

Anbefalet installation:

1. Transitkobling
2. Køresystem/enkeltskinesystem
3. Placeringsholdere
4. Sluttest – funktions- og belastningstest

3.10.1 Justering af hullet i væggen/døråbningen



FORSIGTIG!

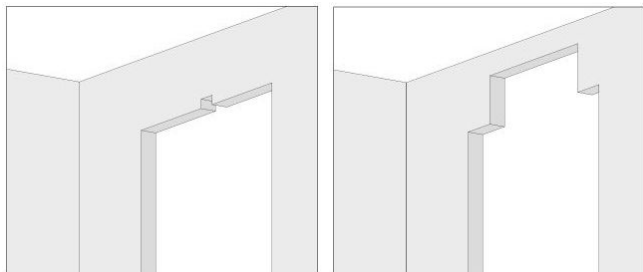
– Før du laver hullet i væggen, skal du sikre, at det ikke er en bærende væg.

Hullet skal altid være placeret præcis i midten af døråbningen:

Hvis det kræves, at kun skinnen må passere gennem væggen, skal hullet være mindst 73 mm højt og mindst 65 mm bredt.

Hvis der kræves større løftehøjde, skal hullet være større.

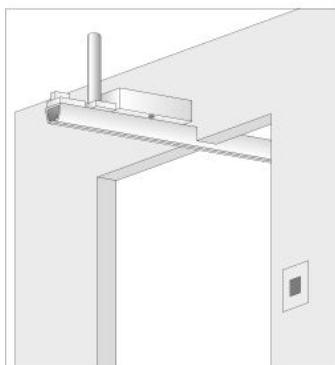
Hvis hullets højde skal være over 80 mm, skal bredden være mindst 600 mm, for at løftemotoren kan passere igennem.



i Det bedste resultat opnås, hvis der er taget højde for transitkoblingen helt tilbage i de indledende faser af husets konstruktion. På den måde kan døråbningen konstrueres med den optimale løftehøjde.

3.10.2 Montering af transitkoblingen

Koblingen leveres samlet med motorboks, fastgørelsesanordninger til ophæng og låseanordninger. Den leverede transitkobling er klargjort, så hele motorboksen kan placeres i et af de to lokaler efter montering.

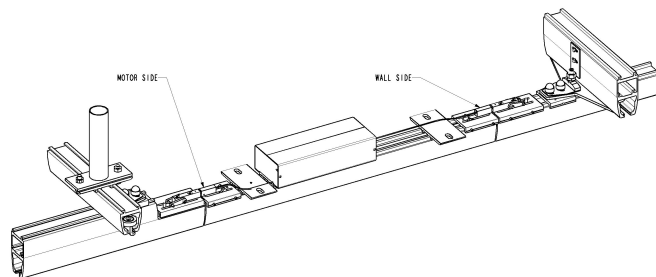


Motorboksen og låseanordningerne skal placeres, i takt med at transitten leveres, af hensyn til funktionaliteten og sikkerheden. Fastgørelsesanordninger til ophæng kan placeres frit, så længe rammerne for systemets konstruktion overholdes. Se målingsillustrationen nedenfor.

i Det er meget vigtigt, at væggens tykkelse styres i forvejen.

Ved installation af transitkoblingen er det meget vigtigt, at motorboksen placeres i det tiltænkte lokale, da den blev bestilt, da hele systemet er konstrueret under hensyntagen til, hvor motorboksen skal placeres.

Installation med ophæng er beskrevet i kapitel 3.2.2 *Betonloft med ophængt loft*, side 40.



Du kan finde flere oplysninger i målingsillustrationen nedenfor.

Det er kun muligt at montere transitkoblingen ved hjælp af ophæng. Koblingen kan derfor kun monteres, når der er mulighed for loftsmontering.

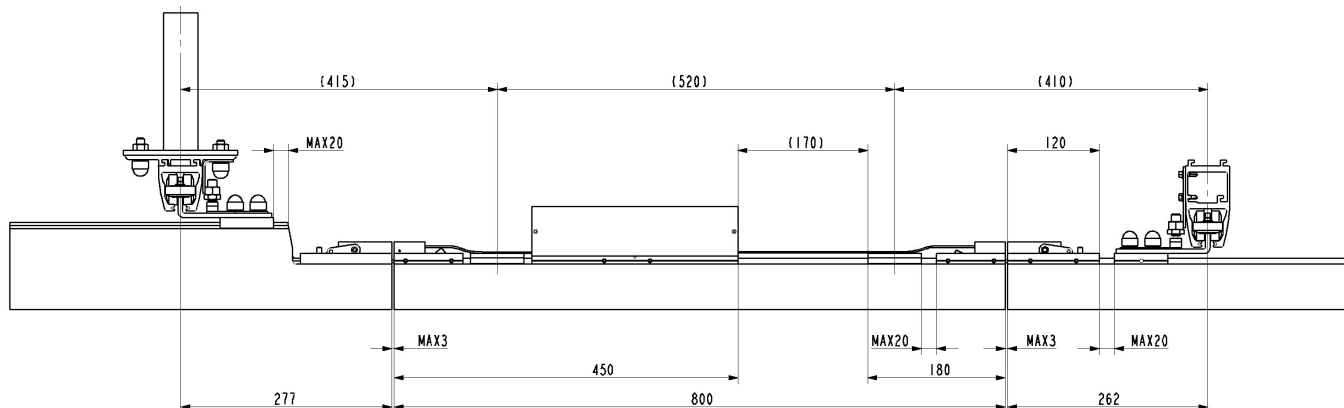
Det bedste resultat opnås med et betonloft.

Ved montering på trælofter er det meget vigtigt, at køresystemet og koblingen installeres, så de bøjer lige meget ned og bøjer så lidt som muligt.

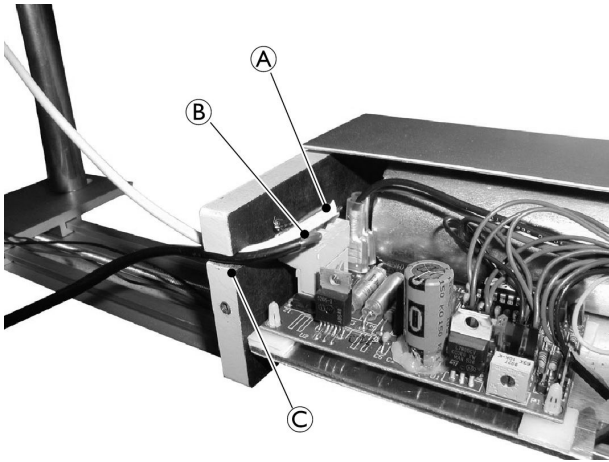
Hvis det er nødvendigt at forstærke loftet i en træloftskonstruktion, skal du sørge for at forstærke med en forbundet konstruktion mellem skinnerne og transitkoblingen.

Undlad at montere ophæng i forskellige tagbjælker, da koblingen og køresystemet i så fald ikke vil bøje lige meget ned. Det vil medføre, at koblingen ikke fungerer korrekt.

Målingsillustration for transitkobling



3.10.3 Montering og tilslutning af betjeningsknop og strømforsyning



Før tilslutning af betjeningsknappen og strømforsyningen er det nødvendigt at afmontere dækslerne på motorboksen. Dækslerne afmonteres ved at løsne de to skruer, som holder hvert dæksel på plads, og trække dækslerne til siden i vandret retning.

Kontrollkontakten monteres i rummet og i den højde, brugeren foretrækker. Kontrollkontakten åbnes med værktøjer, og bagsiden monteres på væggen ved hjælp af to skruer $\varnothing 3,5 \times 30$ mm.

Kablet forkortes til en passende længde og tilsluttes til motorboksen. Se pos. A på tegningen.

Strømforsyningen monteres på væggen enten synligt eller skjult, afhængigt af hvad der er mest passende. Strømforsyningen monteres på en $\varnothing 3,5 \times 30$ mm skrue på væggen ved hjælp af "nøglehullet" på bagsiden af strømforsyningen.

I bunden af strømforsyningen er der et hul til en $\varnothing 3,5 \times 30$ mm skrue, som kan fastgøre strømforsyningen til væggen. Kablet forkortes til en passende længde og tilsluttes til motorboksen. Se pos. B på tegningen.

Dækslet sættes på plads igen, når kablerne er tilsluttet korrekt, og kontrollkontakten er blevet testet. Husk at montere kablerne på endepladen for at undgå, at kablet kommer i nærkontakt med dækslet, når det sættes på igen. Se pos. C på tegningen.



FORSIGTIG!

Det er meget vigtigt, at der ikke hænger nogen løse kabler fra tilkoblingen.

3.10.4 Montering af et køresystem med låseanordning til transitkobling

Generelt installeres et køresystem som vist i kapitel 3.8 *Montering af køresystem*, side 46. Vi anbefaler, at den parallelle skinne i køresystemet monteres i loftet for at sikre, at transitkoblingens drift bliver så stabil som muligt.

Ved installation af den parallelle skinne skal du altid huske at placere et loftsbeslag/ophæng foran transitkoblingen, især på den skinne, der er tættest på transitkoblingen. Se kapitel 3.10.6 *Montering af placeringsholderne på S-profilen og M/L-profilen for parallel skinne*, side 49.

Når den parallelle skinne monteres, er det vigtigt at sikre, at afstanden til koblingen er korrekt. Se billedet i kapitel *Målingsillustration for transitkobling*, side 48.

Køreskinnen er blevet justeret til den specifikke bestilling, når den leveres. Hvis det skulle være nødvendigt at forkorte skinnen yderligere, skal den forkortes i den modsatte ende af, hvor koblingen er placeret.

Det er muligt at bruge følgende køreskinner sammen med et transitkoblingssystem:

- S-, M- og L-profiler, underophængte
- M- og L-profiler, delvist mellemophængte

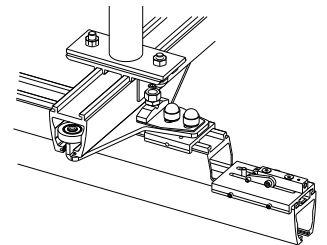
Det er meget vigtigt at sikre, at der er korrekt frigang for køreskinners afstand mellem ophængene og frigang fra skinnerne, så skinnerne kan tilkobles korrekt. Se illustrationen ovenfor.

Når køresystemet og koblingen er monteret, er det meget vigtigt at kontrollere højde mellem dem og foretage justeringer, hvis det er nødvendigt.

Den nederste kant på køreskinnen må ikke afvige mere end 0,5 mm fra koblingsskinnen. Hvis der er en højdeforskel, skal koblingsskinnen være nederst.

Det kan være nødvendigt at justere højden forskelligt i forhold til brugerens vægt eller loftets stand med henblik på at optimere koblingens drift.

Når låseanordningerne monteres, er det meget vigtigt, at de flugter med enden af køreskinnen, og at de vender korrekt i forhold til fastgørelsesanordningen på koblingen, før de låses fast. Se illustrationen.



Låseanordningerne til M- og L-profilerne leveres med en lille plade, som er vigtig at montere.

3.10.5 Installation af en enkeltskinne til et koblingssystem

Når koblingen installeres med en enkeltskinne i et af lokalerne, er den klargjort til dette – uden låseanordningen – når den bliver leveret.

Når koblingen installeres med en S-profilskinne, tilkobles skinnen som vist i kapitel 3.6.2 *Skinnetilkobling for profil S*, side 45.

Ophænget er monteret i koblingsanordningen.

Resten af enkeltskinnesystemet installeres som vist i kapitel 3.2 *Loftsmonteringssystem*, side 39 og 3.6 *Skinnetilkobling*, side 45.

3.10.6 Montering af placeringsholderne på S-profilen og M/L-profilen for parallel skinne

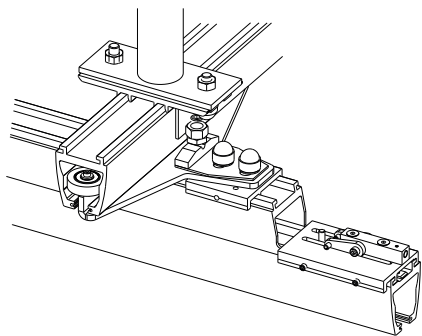


FORSIGTIG!

Det er meget vigtigt, at alt justeres korrekt og fastgøres grundigt af hensyn til sikkerheden og funktionaliteten.

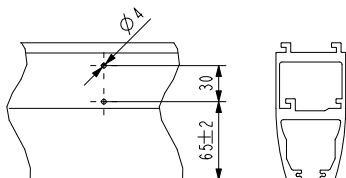
– Test systemet omhyggeligt efter installation.

Placeringsholderen er monteret, så det er nemt at placere køreskinnen i forhold til koblingen. Holderen er monteret på den skinne, der er tættest på koblingen, og den skal vende ind mod koblingen. Se illustrationen.



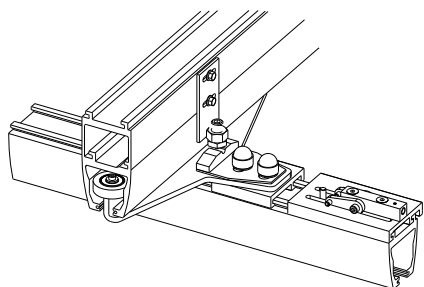
Placeringsholderen til S-profilskinnerne er delvist monteret i standardfastgørelsesanordningen. Derfor er det vigtigt at placere en standardfastgørelsesanordning foran tilkoblingskinnen.

Den ene del af placeringsholderen monteres i M10-bolten på standardloftsbeslaget i samme retning som hurtigfastgørelsesanordningen på kørevognen. Køredelen af placeringsholderen er monteret på kørevognens hurtigfastgørelsesanordning. Se illustrationen.



Placeringsholderen til M/L-profilskinnerne er monteret på hhv. parallelskinnen og køreskinnen. Køredelen af placeringsholderen er monteret på kørevognens hurtigfastgørelsesanordning.

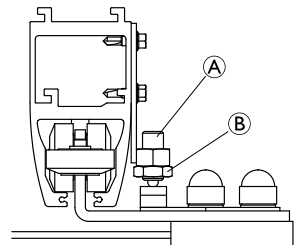
Køreskinnen og transitkoblingen skal tilkobles ved montering af placeringsholderens parallelskinnedel. På den måde er det muligt at vælge den korrekte placering til holderne, før de monteres. Når den korrekte placering er valgt, adskilles skinnerne igen, før Ø4 mm-hullerne til skruerne bores. Se illustrationen nedenfor.



Justering af hårdhed

Placeringsholderne skal justeres til en hårdhed, der gør det nemt for koblingen at indfange køreskinnen, men samtidig gør det muligt for skinnen at passere koblingen, uden at den kommer til at sidde fast i koblingen.

1. Hvis placeringsholderen justeres for hårdt, skal du løsne den sorte skrue (A).
2. Hvis placeringsholderen justeres for blødt, skal du stramme skruen (A).
3. Spænd låsemøtrikken (B) (M12) efter en hvilken som helst justering.



Justering af placeringsholdere

Parallelskinnedelen af placeringsholderen kan justeres yderligere ved at løsne skruerne og flytte holderen vandret, indtil skinnen er lige foran koblingen.


Efter justeringen kan holderen fastgøres.


Bemærk, at der er et frirum, som skal fordeles på begge sider af skinnen.

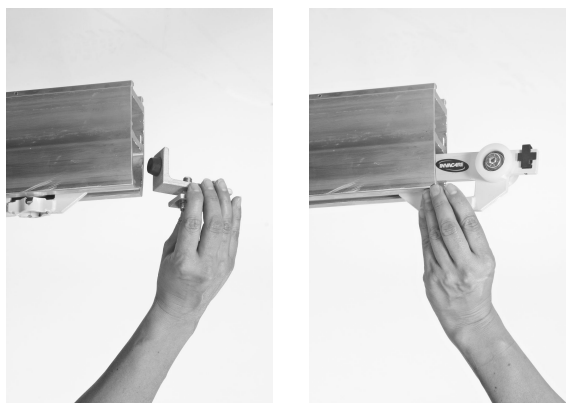
3.11 Montering af løftmotoren på skinnerne


Robin skal bruges sammen med en kørevogn og fører løftmotoren i skinnerne. Robin Mover har indbygget kørevogn og kan monteres direkte på skinnerne.

3.11.1 Montering af Robin®

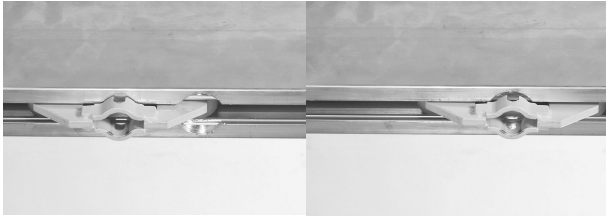
 Værktøj: 4 mm unbrakonøgle; 17 mm topnøgle

1. For at montere kørevognen skal du fjerne det endestop, der er fastgjort til skinnerne.
 -  I visse lande/områder er det påkrævet at dobbeltsikre endestoppene. Hvis der er monteret en ekstra fastgørelsesskrue, skal du først fjerne denne skrue.

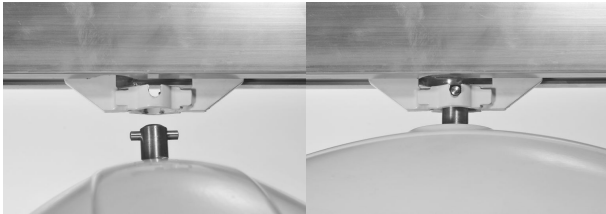


2. Indsæt kørevognen på skinnen (uanset hvilken retning, da kørevognen er symmetrisk).
3. Indsæt endestoppet igen.
 -  I visse lande/områder er det påkrævet at dobbeltsikre endestoppene. Hvis der skal monteres en ekstra fastgørelsesskrue, skal du montere denne skrue. Se også *Endestop, side 36*.


4. Find kørevognen til løftmotoren ved den runde fordybning med en diameter på 32 mm i skinnen.

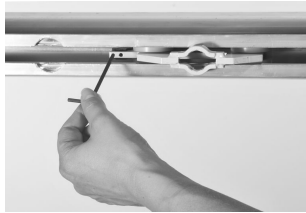


5. Løft løftmotoren, og før affjedringsstiften gennem åbningen til kørevognen.




6. Drej løftmotoren 90 grader for at fastgøre den til kørevognen.
7. Tilslut håndbetjeningen.
8. Juster længden på nødstop-/sænkingsledningen, så den er inden for brugerens rækkevidde.

 Hvis der er betydelig modstand, eller hvis kørevognen utilsigtet ruller af sig selv på grund af ubalance i skinneophængene, skal du justere friktionsbremsen med en 4 mm unbrakonøgle.



3.11.2 Montering af Robin® Mover


Kørevognen er indbygget i løftmotoren og kan derfor ikke monteres på skinnen på forhånd.

 Værktøj: 4 mm unbrakonøgle; 17 mm topnøgle

1. Fjern endestoppet.




2. Indsæt løftmotorens hjul i skinnen.

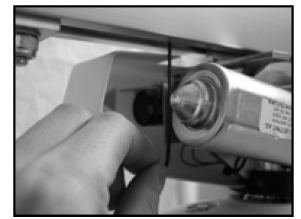
 Det betyder ikke noget, hvilken retning løftmotoren vender i under monteringen.



3. Montér endestoppet.

 Spænd boltene til 30 Nm.

4. Hvis der opleves for meget modstand, når der trækkes i løftmotoren, eller løftmotoren bevæger sig for frit og utilsigtet, skal du justere friktionsbremsen.



5. Tilslut håndbetjeningen.
6. Juster længden på nødstop-/sænkingsledningen, så den er inden for brugerens rækkevidde.

3.12 Eftersyn/kontrol af skinnesystemet



FORSIGTIG!

Efter installationen af et skinnesystem skal hele systemet efterses.

- Eftersynet af et skinnesystem må kun foretages af en kompetent person.
- Eftersynet skal følge *Kontrolliste til sikkerhedseftersyn/skinnesystem* i servicemanualen til Invacare® Robin®.

I henhold til den europæiske standard EN 10535 skal systemet stresstestes med 300 kg. Dette skal gøres på hvert eneste fastgørelsespunkt. Denne test skal udføres

som en gentest af systemstrukturenes evne til at fastholde
skinnesystemet på plads.

4 Tekniske Data

4.1 Skinnesystemet

Alle skinneprofiler er fremstillet i presset aluminium.

Skinneerne fås med hvid pulverlakering.

Skinneerne fås i tre forskellige højder: S= 68 mm, M=114 mm og L=183 mm, hvilket giver en rækkevidde på hhv. 2 m, 4 m og 8 m.

Profilbredden for alle tre profiler er 58 mm. Toppen af profilerne er formet med henblik på at sikre, at skinnerne kan kobles til installationsbeslagene.

Ved levering har skinnen til løftmotoren en fræset rille i bunden. Denne rille bruges til at installere løftmotoren og kaldes et nøglehul.

Mulige installationer

Enkeltskinne kan monteres i loftet eller på væggen og gulvet. Skinnens placering i lokalet kan enten være parallel med en væg eller i en vinkel i forhold til en væg.

Køresystemet kan monteres i loftet eller på væggen og gulvet. Frigangen mellem de to parallelle skinner kan være op til 8000 mm.

Kurver kan fås i S-profilen og kan monteres i loftet. De fås med vinklerne 30°, 45°, 60° og 90°.

Specialløsninger

Installation med ophængsbeslag bruges i følgende tilfælde: Når loftets højde varierer i skinnens længderetning, eller når skinnen skal forsænkes.

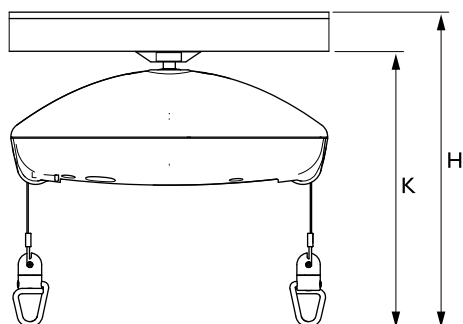
Vinkelinstallation bruges, når skinnen skal installeres i andre vinkler end 90°.

4.2 Mål til forskellige skinneinstallationer

Byggemålene for en installation er defineret som afstanden mellem loftets underside og løftmotorens kroge.

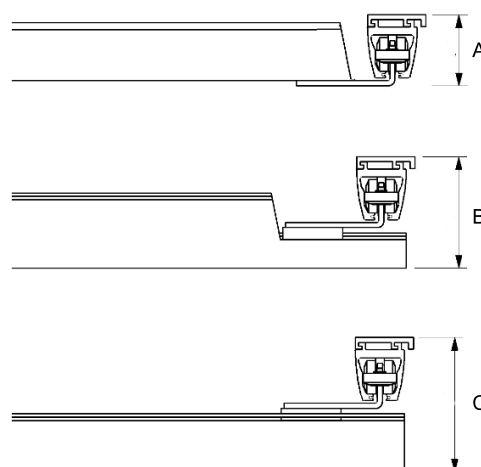
Højde for enkelt skinne

Ved brug af EC-Track-systemet og Robin-løftmotoren er målene for indbygning målt fra loftet, hvor skinnen er monteret så tæt som muligt på loftet:



		Robin	Robin Mover
K	Målt fra undersiden af skinnen til sejlets krog	336 mm	396 mm
H	Loftsmonteret skinneprofil S	410 mm	470 mm
	Væg-/gulvmonteret skinneprofil M	50 mm	510 mm
	Væg-/gulvmonteret skinneprofil L	19 mm	579 mm

Højde for køreskinnesystem



A = Mellemophængt køresystem

B = Delvist mellemophængt køresystem

C = Underophængt køresystem

Mulige kombinationer

Køreskinne	Parallel skinne	A	B	C
S-profil	S-profil	83 mm	—	156 mm
M-profil	S-profil	—	156 mm	203 mm
	M-profil	129 mm	203 mm	250 mm
L-profil	S-profil	—	—	272 mm
	M-profil	—	—	319 mm
	L-profil	198 mm	272 mm	388 mm

Sommaire

REVENDEUR : conservez ce manuel. Les procédures figurant dans ce manuel DOIVENT être exécutées par un technicien qualifié.

1 Généralités	56
1.1 À propos de ce manuel	56
1.2 Consignes générales de sécurité	56
1.3 Informations de garantie	56
2 Système de rails	57
2.1 Système monorail	57
2.2 Système de traverses	58
2.3 Transfert entre pièces	59
2.4 Rails, supports et accessoires	60
3 Installation	66
3.1 Consignes d'installation générales	66
3.2 Système de montage au plafond	66
3.2.1 Plafond en béton	66
3.2.2 Plafond en béton avec plafond suspendu	67
3.2.3 Plafond en bois	69
3.3 Installation murale – rail suspendu par l'extrémité	70
3.3.1 Rail profilé en M et L	70
3.4 Installation murale – support en suspension latérale ou support en suspension latérale/par l'extrémité	72
3.5 Coudes	72
3.6 Raccord de rail	73
3.6.1 Raccord de rail pour profilés en M et L	73
3.6.2 Raccord de rail pour profilé en S	73
3.7 Montants de support mural	73
3.8 Montage du système de traverses	74
3.9 Installation des aiguillages de voies	74
3.10 Raccord de transit	75
3.10.1 Perçage du trou dans le mur/l'encadrement de porte	75
3.10.2 Installation du raccord de transit	75
3.10.3 Installation et raccordement du bouton de commande et du bloc d'alimentation	77
3.10.4 Installation d'un système de traverses avec dispositif de verrouillage pour raccord de transit	77
3.10.5 Installation d'un rail simple pour un système de raccord	77
3.10.6 Montage des dispositifs de positionnement sur des rails parallèles profilés en S et profilés en M/L	78
3.11 Installation du lève-personne sur rail sur le système de rails	78
3.11.1 Installation du lève-personne Robin®	78
3.11.2 Installation du lève-personne Robin® Mover	79
3.12 Inspection/contrôle du système de rails	80
4 Caractéristiques Techniques	81
4.1 Système de rails	81
4.2 Dimensions des différentes installations de systèmes de rails	81

1 Généralités

1.1 À propos de ce manuel

Ce manuel d'installation est conçu comme un guide pour la planification et l'exécution de l'installation. Pour garantir une utilisation en toute sécurité du produit, lisez attentivement le manuel et respectez les consignes de sécurité.

Consultez le manuel d'utilisation pour plus d'informations et avant tout achat. Vous pouvez vous procurer le manuel d'utilisation sur le site Web d'Invacare au auprès de votre représentant Invacare (aux adresses indiquées au dos de ce manuel).

Symboles figurant dans ce manuel

Dans ce manuel, les dangers sont signalés par des symboles. Ces symboles sont accompagnés d'un avertissement qui indique le niveau de risque.



AVERTISSEMENT

Indique une situation dangereuse qui, si elle n'est pas évitée, est susceptible de provoquer des blessures graves, voire mortelles.



ATTENTION

Indique une situation dangereuse qui, si elle n'est pas évitée, est susceptible de provoquer des blessures mineures ou légères.



IMPORTANT

Indique une situation dangereuse qui, si elle n'est pas évitée, est susceptible de provoquer des dommages matériels.



Conseils et recommandations

Donne des conseils, recommandations et informations utiles pour une utilisation efficace et sans souci.



Fournit des informations relatives aux outils nécessaires.



Ce produit porte le label CE et est conforme à la Directive sur les dispositifs médicaux de classe I 2017/745. La date de lancement de ce produit est indiquée dans la déclaration de conformité CE.

1.2 Consignes générales de sécurité



AVERTISSEMENT !

Consignes de sécurité avant l'installation

- Toutes les installations doivent être conformes aux règles et normes nationales.
- N'utilisez que des éléments d'installation agréés.
- À chaque point de suspension, la structure du toit/plafond doit être capable d'absorber une charge statique d'au moins 300 kg.
- Avant de monter un système de rails, le toit, les murs et le sol doivent être soigneusement examinés. Déterminez exactement les matériaux utilisés dans la construction du toit et des murs. Cet examen doit exclusivement être effectué par une personne dûment qualifiée.
- Le système de rails ne doit être monté que par des personnes dûment qualifiées.

Essai sous contrainte

Conformément à la norme européenne EN 10535, le système doit subir un essai sous contrainte à 300 kg, et ce au niveau de chaque point de fixation. Cet essai doit être exécuté pour tester la capacité du substrat à maintenir le système de rails en place. Cet essai doit exclusivement être effectué par une personne dûment qualifiée.

1.3 Informations de garantie

Les modalités et conditions de la garantie font partie des modalités et conditions générales spécifiques aux différents pays de vente du produit.

Les coordonnées de votre représentant Invacare local figurent au dos du présent manuel.

2 Système de rails

2.1 Système monorail

Un système monorail convient lorsque le nombre d'emplacements de levage est spécifique ou limité (en dessous du rail, par exemple).

Un système monorail se compose d'un rail droit. Ce rail peut être installé parallèlement aux murs ou en diagonale dans la pièce.

Le système de rail peut éventuellement être étendu par des coudes avec angles de 30°, 45°, 60° et 90°.

Le système de rail peut être installé au mur ou au plafond.

Avec un système monorail, il est possible de cacher l'installation dans le plafond pour que seule l'ouverture du rail soit visible.

2.2 Système de traverses

Un système de traverses convient lorsqu'un nombre illimité d'emplacements de levage est nécessaire dans la pièce.

Un système de traverses comprend deux rails parallèles montés au plafond ou au mur. Un chariot de traverse capable de couvrir toute la longueur des rails parallèles, d'une butée de fin de course à l'autre, est installé dans chaque rail parallèle.

Un rail de traverse est monté en travers des rails parallèles sur les deux chariots de traverse. Cette installation peut être effectuée de différentes façons, comme indiqué sur les illustrations ci-dessous. Lorsqu'un chariot de lève-personne est inséré dans le rail de traverse, le lève-personne peut couvrir toute la longueur du rail de traverse.

Le système permet un nombre illimité d'emplacements de levage, puisqu'il couvre toute la pièce.

Combinaisons de systèmes de traverses

Rails	Combinaison	Combinaisons possibles
Parallèle : profilé en S Traverse : profilé en S	Traverse suspendue par le dessous : Traverse à suspension intermédiaire :	
Parallèle : profilé en S Traverse : profilé en M	Traverse suspendue par le dessous : Traverse à suspension intermédiaire partielle :	
Parallèle : profilé en S Traverse : profilé en L	Traverse suspendue par le dessous :	
Parallèle : profilé en M Traverse : profilé en M	Traverse suspendue par le dessous : Traverse à suspension intermédiaire : Traverse à suspension intermédiaire partielle :	
Parallèle : profilé en M Traverse : profilé en L	Traverse suspendue par le dessous :	

Rails	Combinaison	Combinaisons possibles
Parallèle : profilé en L Traverse : profilé en L	Traverse suspendue par le dessous : Traverse à suspension intermédiaire : Traverse à suspension intermédiaire partielle :	

2.3 Transfert entre pièces

Transfert entre pièces avec deux lève-personnes

Le transfert entre pièces peut se faire au moyen de deux lève-personnes Robin, un dans chaque pièce. Pour faciliter cette opération, un chariot de pièce à pièce Invacare est utilisé.

Le transfert entre pièces est possible avec les installations simples et les installations couvrant la pièce. Il est important que les rails soient placés le plus près possible de la porte. Lors de l'installation d'un système de rails couvrant la pièce prévu pour un transfert entre pièces, le rail de traverse doit être installé perpendiculairement au mur avec la porte. La distance entre les deux butées de fin de course ne doit pas dépasser 600 mm. Pour obtenir le meilleur résultat possible lors du transfert entre pièces, il doit exister une distance minimale de 1,85 m entre le

sol et le dessous du lève-personne. Ceci doit être gardé à l'esprit lors de l'installation du système de rails.

Transfert entre pièces avec transit (raccord de transit)

Le transfert entre pièces peut également être effectué au moyen d'un raccord de transit installé.

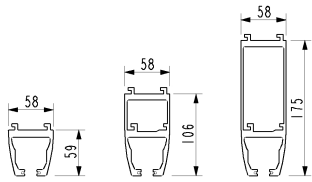
Le raccord peut être utilisé pour relier soit deux systèmes de traverses soit un système de traverses et un système monorail.

Le raccord de transit est commandé électriquement par un bouton de commande mural. Le raccord est livré à une longueur standard de 800 mm.

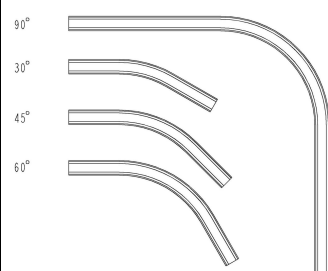
Pour plus d'informations, reportez-vous aux chapitres 2.4 *Rails, supports et accessoires*, page 60 et 3.10 *Raccord de transit*, page 75.

2.4 Rails, supports et accessoires

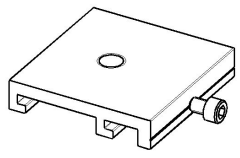
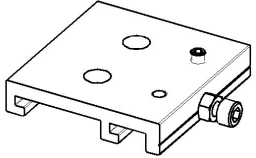
Rail profilés en S, M et L

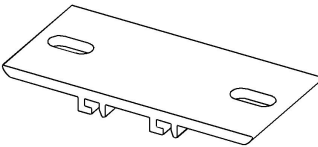
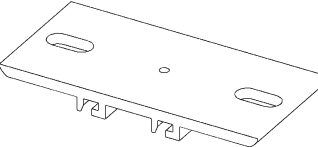
Type		Description	Informations
Rail profilé en S		Longueur max. = 7,8 m Portée max. sans support : 2 m	couleur : blanc
Rail profilé en M		Longueur max. = 7,8 m Portée max. sans support : 4 m	
Rail profilé en L		Longueur max. = 7,8 m Portée max. sans support : 8 m	

Coudes 30°, 45°, 60°, 90°

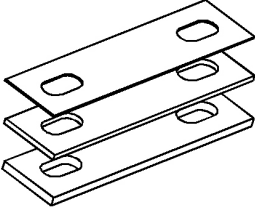
Type		Description	Informations
Coude 30°		Rail profilé en S avec coude de 30° et rail droit 2 x 200 mm	Tous les coudes ont un rayon de 400 mm. Tous les coudes sont livrés avec arrondi à droite ou à gauche. Pour plus de précisions sur leurs caractéristiques respectives, reportez-vous au chapitre 3.5 <i>Coudes</i> , page 72
Coude 45°		Rail profilé en S avec coude de 45° et rail droit 2 x 200 mm	
Coude 60°		Rail profilé en S avec coude de 60° et rail droit 2 x 200 mm	
Coude 90°		Rail profilé en S avec coude de 90° et rail droit 2 x 600 mm	

Supports de plafond

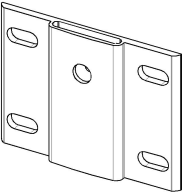
Type		Description	Informations
Support de plafond, rapide		Supports de plafond avec pièces de fixation masquées. À utiliser pour l'installation au plafond de rails simples et de systèmes de traverses. Dimensions (l x p x h) : <ul style="list-style-type: none"> • 30 x 68 x 14 mm (pour coudes) • 70 x 68 x 14 mm (pour suspension de plafond ordinaire) • 120 x 68 x 14 mm (pour raccord de rail) 	Installation : reportez-vous au chapitre 3.2 <i>Système de montage au plafond</i> , page 66.
Support de plafond, rapide, traverse		Supports pour système de traverses et supports muraux à suspension latérale Le support est monté sous le chariot de traverse, au niveau de l'ensemble de traverse suspendu et en suspension intermédiaire partielle.	

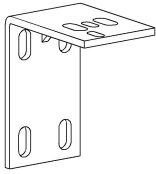
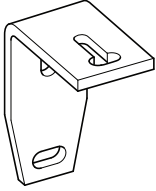
Type		Description	Informations
Support de plafond, standard		Supports de plafond avec pièces de fixation visibles. À utiliser pour l'installation au plafond de rails simples et de systèmes de traverses. Dimensions (l x p x h) : <ul style="list-style-type: none"> • 30 x 146 x 14 mm (pour coudes) • 70 x 146 x 14 mm (pour suspension de plafond ordinaire) • 120 x 146 x 14 mm (pour raccord de rail) 	
Support de plafond standard avec blocage		Support de plafond avec vis de blocage de 70 x 146. S'utilise pour l'installation au plafond, avec 1 support au minimum par rail droit. Ceci permet d'éviter le déplacement du rail après l'installation. Dimensions (l x p x h) : <ul style="list-style-type: none"> • 70 x 146 x 14 mm 	

Cales

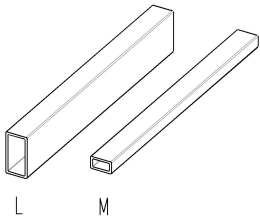
Type		Description	Informations
Cale pour support de plafond standard		Disponible pour supports de plafond de 30, 70, 120 mm de large. Hauteur : <ul style="list-style-type: none"> • 1 mm • 3 mm • 5 mm 	Les cales doivent être utilisées dans les installations pour compenser les écarts éventuels de hauteur dans le toit/le plafond.

Supports muraux

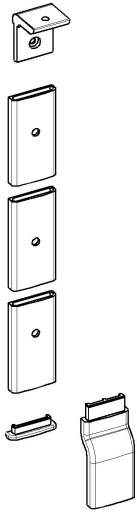
Type		Description	Informations
Support mural, suspendu par l'extrémité		À utiliser lors de l'installation de rails sur un mur. Ils peuvent être utilisés lorsque les murs ont une capacité de support suffisamment importante pour un montage droit et en diagonale par rapport au mur.	Installation : reportez-vous au chapitre 3.3 <i>Installation murale – rail suspendu par l'extrémité</i> , page 70.

Type		Description	Informations
		À utiliser avec tubes d'insertion et console.	
Supports muraux, suspension latérale		À utiliser lors de l'installation de rails en suspension latérale. Ils peuvent être utilisés si le mur est suffisamment résistant.	Installation : reportez-vous au chapitre 3.4 <i>Installation murale – support en suspension latérale ou support en suspension latérale/par l'extrémité, page 72</i>
Support mural, suspension latérale et par l'extrémité		À utiliser lors de l'installation de rails en suspension latérale ou par l'extrémité. Ils peuvent être utilisés si le mur est suffisamment résistant.	Installation : reportez-vous au chapitre 3.4 <i>Installation murale – support en suspension latérale ou support en suspension latérale/par l'extrémité, page 72</i>

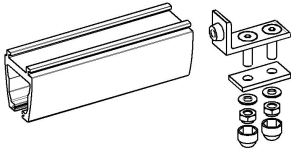
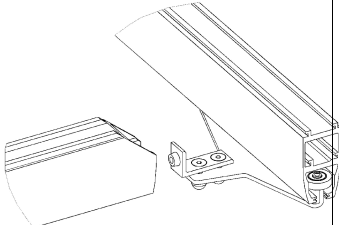
Tubes d'insertion


Type		Description	Informations
Tube d'insertion pour rail profilé en M ou L		À utiliser pour monter des rails en suspension en extrémité au mur, pour raccorder deux rails ou pour monter des rails en diagonale dans une pièce. <ul style="list-style-type: none"> • Tube d'insertion pour rail profilé en M : longueur 800 mm. • Tube d'insertion pour rail profilé en L : longueur 1 m. 	Tube d'insertion fourni selon la situation de montage particulière.

Montant de support mural, console et pied de support mural

Type		Description	Informations
Montant de support mural		À utiliser si le mur n'a pas une capacité de support suffisante pour monter le rail au mur. Compatible avec les systèmes monorail et les systèmes de traverses. Longueur du montant : 2,6 m/3 m	Installation : reportez-vous au chapitre 3.7 <i>Montants de support mural, page 73</i>
Console de support mural		La console est également utilisée avec le support mural à suspension par l'extrémité en cas de montage droit ou en diagonale.	
Pied de support mural		Pied bas pour pièces sans plinthe le long du sol Pied haut pour pièces avec plinthe le long du sol	

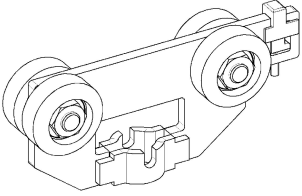
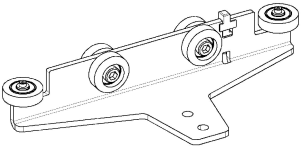
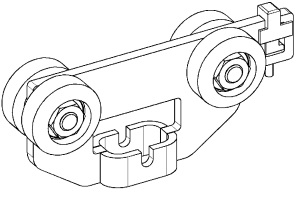
Butée de fin de course

Type		Description	Informations
Butée de fin de course		<p>La butée de fin de course est montée sur toutes les sorties de rail, ce qui garantit que les chariots ne quittent pas le système de rails.</p> <p>Lorsque la butée de fin de course est montée, l'embout en caoutchouc doit faire face au chariot.</p>	
Butée de fin de course pour rail de traverse		<p>Lorsque le système de traverses est à suspension intermédiaire, la butée de fin de course des rails de traverse doit être montée dans le chariot de traverse.</p> <p>Si les rails sont montés sur un mur, la butée de fin de course doit être placée loin dans le rail pour que le lève-personne ne heurte pas le mur.</p>	

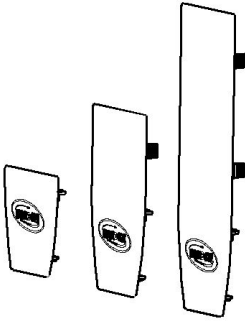
 Dans certains pays/certaines régions, une double fixation est exigée pour les butées de fin de course. Cette fixation supplémentaire peut être obtenue en installant l'un des éléments suivants :

- Vis autotaraudeuse par déformation de matière M5 x 16 mm (Bufab/Swebolt MRX ou équivalente, par exemple), à 10 mm à partir de chaque extrémité du rail, à 25 mm du dessous du rail (la vis peut être installée dans un trou pré-percé de 4,3 mm de diamètre).
- Vis autotaraudeuse par déformation de matière de diamètre 6,3 x 22 mm (Bufab/Swebolt R6B ou équivalente, par exemple), à 10 mm à partir de chaque extrémité du rail, à 18 mm du dessous du rail.

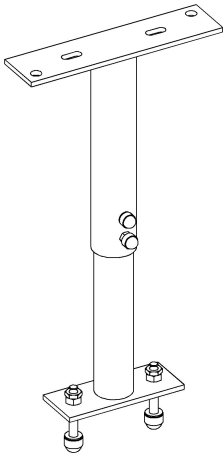
Chariots

Type		Description	Informations
Chariot de lève-personne		Le chariot de lève-personne s'utilise aussi bien pour les systèmes monorail individuels que pour les systèmes de traverses. Le chariot de lève-personne est utilisé lorsqu'un lève-personne sur rail Robin doit être monté dans le système de rails.	
Chariot de traverse		Le chariot de traverse s'utilise lors du montage d'un système de traverses. Pour un système de traverses, deux chariots de traverse sont toujours utilisés.	
Chariot de pièce à pièce		Le chariot de pièce à pièce s'utilise lorsqu'un transfert d'une pièce à une autre est nécessaire, par l'intermédiaire d'une porte en règle générale.	

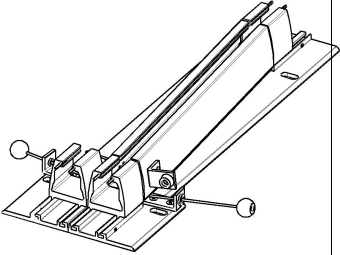
Embouts de rail

Type		Description	Informations
Embouts de rail S, M, L		<p>Les embouts de rail existent pour trois dimensions de rails profilés. Couleur : blanc.</p> <p>À utiliser aux deux extrémités de tous les rails.</p> <p>Montage : appuyez sur le rail profilé après le montage du système de rails.</p>	

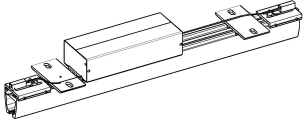
Systèmes de suspension

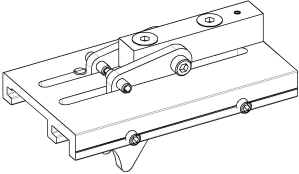
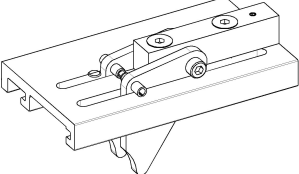
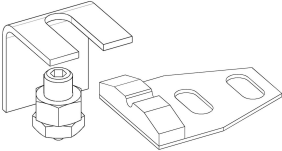
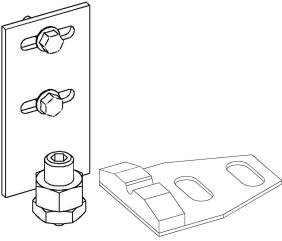
Type		Description	Informations
Systèmes de suspension, réglables		<p>Les systèmes de suspension sont utilisés s'il est nécessaire d'installer un système de rails au-dessous du niveau du plafond d'origine. Ils peuvent être utilisés dans une installation cachée ainsi que dans des installations visibles.</p> <p>Dimensions (longueur réglable) :</p> <ul style="list-style-type: none"> • 200 – 300 mm • 280 – 460 mm • 440 – 740 mm 	<p>Installation : reportez-vous à la section 3.2.2 <i>Plafond en béton avec plafond suspendu</i>, page 67.</p>

Aiguillage de voie

Type		Description	Informations
Aiguillage de voie, manuel		<p>L'aiguillage de voie se fait manuellement et est installé avec un support standard de plafond. L'aiguillage de voie est utilisé avec un système de rail simple profilé en S installé au plafond, à l'endroit où un changement de direction est requis pendant le déplacement du patient.</p>	<p>Installation : reportez-vous au chapitre 3.9 <i>Installation des aiguillages de voies</i>, page 74</p>

Raccord de transit

Type		Description	Informations
Raccord de transit		<p>Le raccord de transit est commandé électriquement et monté avec des suspensions au plafond des deux côtés du mur. Longueur : 800 mm.</p> <p>Le raccord est utilisé pour déplacer le patient d'une pièce à une autre.</p>	<p>Le bouton de commande (pour le mur) et un transformateur sont fournis à la livraison.</p> <p>Installation : reportez-vous au chapitre 3.6 <i>Raccord de rail</i>, page 73</p>

Type		Description	Informations
		<ul style="list-style-type: none"> • Dans les systèmes de traverses avec rails en S, M et L. • Dans un système monorail avec rails profilés en S uniquement. 	
Dispositif de verrouillage du raccord pour traverse profilée en S		À monter sur la traverse profilée à l'extrémité raccordée. Ce dispositif permet de s'assurer que le rail de traverse et le raccord sont verrouillés et raccordés correctement avant le changement de pièce.	
Dispositif de verrouillage du raccord pour traverse profilée en M/L		À monter sur la traverse profilée à l'extrémité raccordée. Ce dispositif permet de s'assurer que le rail de traverse et le raccord sont verrouillés et raccordés correctement avant le changement de pièce.	
Dispositifs de positionnement du raccord pour rail parallèle profilé en S		À monter sur le rail parallèle, près du raccord, pour placer correctement le rail de traverse par rapport au raccord.	
Dispositifs de positionnement du raccord pour rail parallèle profilé en M/L		À monter sur le rail parallèle, près du raccord, pour placer correctement le rail de traverse par rapport au raccord.	

3 Installation

3.1 Consignes d'installation générales

Avant d'installer un système de rails, il est essentiel de mesurer soigneusement et précisément la pièce. Il est également important de déterminer l'état du plafond, des murs et du sol pour décider s'il faut monter les rails au plafond ou sur les murs. Vous devez ensuite déterminer le nombre d'emplacements de levage nécessaires dans la pièce.

Pour déterminer les emplacements de levage, une évaluation individuelle prenant en considération la stature de l'utilisateur et le nombre d'infirmières est nécessaire.

À titre indicatif, vous pouvez utiliser la configuration suivante pour les emplacements de levage type :

Lit	1 m de l'intérieur de l'extrémité de la tête de lit
Toilettes	150 mm du bord avant
Baignoire	1/3 de la longueur (position assise), mi-longueur (position inclinée)
Table de change	1 m de l'avant de la table

Lorsque vous prenez les mesures pour le système de rails sélectionné, pensez à un endroit de rangement adapté pour le lève-personne, lorsqu'il n'est pas utilisé. Ce peut être près d'un mur, si le chargeur du lève-personne est monté au mur, par exemple.

Contrôlez le rail sur mesure ainsi que les supports et autres accessoires par rapport au plan.

Vérifiez que les bavures et copeaux métalliques ont bien été retirés des rails pour éviter que ces débris ne s'accumulent dans les roues du chariot produisant ainsi bruit et dysfonctionnement.

En cas de rails simples et de rails courbes nécessitant un raccordement, utilisez les goupilles jointes.

- Commencez par enfoncer à moitié les goupilles dans le rail. Des trous de 3,2 mm de diamètre sont percés dans le rail auquel le rail précédemment mentionné doit être raccordé. Le rail suivant est ensuite inséré sur les goupilles.
- Poussez le rail suivant dans les goupilles en saillie. Ne percez pas d'autres trous dans le premier rail.
- Montez le support du raccord de rail.

Si vous installez un système de traverses dans lequel les rails parallèles vont d'un mur à l'autre, la distance minimale du rail au mur doit être de 60 mm. Insérez le chariot de traverse et la butée de fin de course du rail dans les rails parallèles avant l'installation. Dans le cas contraire, les rails parallèles doivent s'arrêter au minimum à 350 mm du mur pour permettre l'installation ultérieure du chariot.

Lors de l'installation d'un système monorail ou d'un rail de traverse dans un système de traverses, il est important que le rail à une extrémité s'arrête à un minimum de 160 mm du mur pour permettre l'installation ultérieure du chariot du lève-personne.

Pour une installation secondaire du lève-personne Robin Mover, la distance doit être au minimum de 300 mm.

Si vous installez des rails avec supports directement au plafond, assurez-vous que le plafond est régulier et horizontal (des cales de 1 mm, 3 mm et 5 mm d'épaisseur, respectivement, peuvent être utilisées pour niveler toute irrégularité).

Trou de serrure pour le point d'installation

Tout système EC-Track doit être préparé avec un point d'installation pour le lève-personne.

Ce point d'installation a l'aspect d'une rainure fraisée ronde de 32 mm au fond du rail dans lequel le lève-personne doit être installé. Cette rainure fraisée s'appelle un trou de serrure.

Lorsque vous installez le système de rails, il est crucial que ce point d'installation soit placé conformément aux instructions qui suivent.

- En règle générale, le trou de serrure doit toujours être placé aussi près que possible de l'extrémité d'un rail. Il doit cependant être à au moins 250 mm de l'extrémité.
- Si le rail va d'un mur à l'autre, il doit être placé à un minimum de 400 mm de l'extrémité du rail profilé.
- Si un système de traverses est monté, le trou de serrure doit être placé aussi près que possible sur l'extrémité du rail. Il doit cependant être à au moins 250 mm de l'extrémité.

Si le rail de traverse continue tout du long jusqu'aux murs, il doit être placé à au moins 400 mm de l'extrémité du rail.

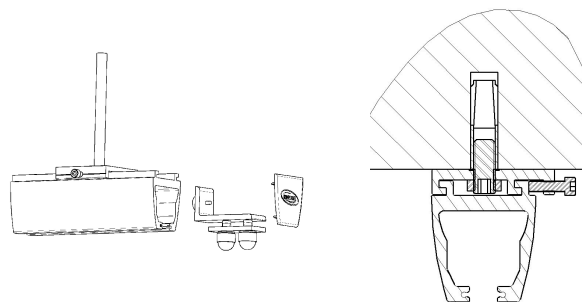
3.2 Système de montage au plafond

3.2.1 Plafond en béton

En cas de montage dans des plafonds en béton, il convient de différencier le béton massif (éléments de béton moulés en usine, surfaces en béton précontraint, béton armé) des surfaces creuses.

Montage avec support de plafond rapide


Si vous utilisez des raccords de plafond rapides, tous les raccords doivent être montés dans le plafond. Le rail peut ensuite être installé dans ces raccords. Il convient d'utiliser trois raccords de plafond au moins par rail. L'espace maximum entre chaque raccord doit être de 700 mm. L'espace maximum entre l'extrémité du rail et le premier raccord doit être de 200 mm.



Mesurez tous les raccords en même temps. Il est important que les trous percés soient sur une ligne droite. Le marquage précis des trous doit être effectué au laser, au cordeau, etc.

Montage dans du béton massif et des surfaces creuses :

1. Percez les trous avec un marteau perforateur de 15 mm à une profondeur de 54 mm. Nettoyez-les par soufflage.
2. Insérez des ancrages M12 dans les trous (Hilti HKD-S M12 ou équivalents, par exemple).
Si vous utilisez un outil approprié (Hilti HSD-G M12x50 ou équivalent, par exemple), l'ancrage sera correctement fixé dans le béton.
3. Montez le raccord rapide en vissant la tige filetée prémontée sur l'ancrage.
Il est essentiel d'utiliser un adhésif sur un raccord et un écrou lorsque la tige filetée est montée sur le raccord.

 Afin d'obtenir la résistance maximale, la tige filetée doit être vissée d'au moins 14 mm dans l'ancrage.

Si vous utilisez un ancrage en combinaison avec le support rapide, une précision optimale est indispensable. Nous recommandons, à titre de solution alternative, de recourir à du mortier adhésif pour béton.

Après avoir monté tous les raccords, poussez le chariot du lève-personne dans le rail. Le chariot du lève-personne peut être orienté dans les deux sens. Si le chariot de traverse doit être monté dans le rail, il est important qu'il soit dans le bon sens par rapport au montage suivant du rail de traverse.

La butée de fin de course est montée aux deux extrémités du rail. Elle est poussée dans le rail avec le bouchon en caoutchouc en premier, et elle est serrée manuellement au départ.

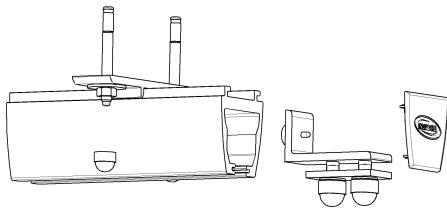
Soulevez le rail, ajustez sa longueur et fixez-le dans tous les raccords de plafond.


Placez les butées de fin de course réglables correctement et serrez bien. Il est essentiel de veiller à ce que la butée de fin de course soit positionnée de façon à ce que le lève-personne ne heurte pas le mur.

Dans le cas des rails parallèles d'un système de traverses, il est important que la butée soit placée de façon à permettre l'arrêt simultané des deux chariots de traverse.


Montage avec support de plafond standard

Les supports de plafond sont poussés sur le rail et répartis avec un maximum de 2 m entre chaque support et de 200 mm entre le dernier support et l'extrémité du rail. Utilisez trois supports par rail au minimum. Il est recommandé d'utiliser un nombre impair de supports, si une seule personne installe le rail. Ainsi, un support est placé au centre pour créer l'équilibre lorsque le rail est suspendu au premier boulon.



 Pour au moins une extrémité du rail, utilisez un support avec une vis de blocage à fixer au rail.

1. Mesurez le trou d'un boulon à expansion du support central.
Percez le trou à une profondeur d'environ 80 mm avec une mèche de perceuse à percussion de 8 mm. Le trou doit être plus profond que la longueur du boulon à expansion pour en faciliter le démontage par la suite. Pour le démontage, vous pouvez alors complètement enfoncez le boulon au lieu de le retirer.
2. Enfoncez un boulon à expansion M8x75 (Hilti HSA ou équivalent, par exemple), en laissant suffisamment de place pour l'épaisseur du support (6 mm), la rondelle (2 mm) et l'écrou (7 mm) plus un peu de marge. Une fois le boulon enfoncé, retirez l'écrou et la rondelle.
3. Insérez le chariot du lève-personne dans le rail. Le chariot peut être orienté dans les deux sens.
4. Si vous installez le chariot de traverse, assurez-vous qu'il est correctement orienté en vue de l'installation ultérieure du rail de traverse.
5. Installez les butées de fin de course aux deux extrémités du rail. Insérez les butées de fin de course réglables dans le rail en commençant par le bouchon en caoutchouc et la plaque acier vers le bas du rail. Serrez les vis à la main.
6. Soulevez le rail pour le mettre en place, montez les rondelles et les écrous et serrez-les légèrement. Ajustez le rail au niveau de la longueur et de l'angle et serrez l'écrou.
7. Percez le trou du support dans une des extrémités du rail, mais du côté opposé. Enfoncez le boulon à expansion, effectuez les réglages définitifs et serrez. Percez ensuite les autres trous à une extrémité de la fente du support. Si la mèche de la perceuse touche une barre de renfort avant que le trou n'atteigne 50 mm de profondeur, percez simplement à l'autre extrémité de la fente. Si la perceuse heurte à nouveau les barres de renfort, déplacez le support d'environ 20-25 mm sur le rail. Le support couvrira alors les trous ratés.

 Si la profondeur du trou est comprise entre 50 et 70 mm, utilisez un boulon à expansion M8x57.

8. Enfoncez les autres boulons à expansion, placez les rondelles et les écrous et serrez.
9. Placez les arrêts de rail réglables correctement et serrez. Veillez à positionner les butées de fin de course de façon à ce que le lève-personne ne heurte pas le mur.
Lors de l'installation d'un rail parallèle dans un système de traverses, veillez à bien placer les butées de fin de course exactement aux mêmes points, pour que le chariot de traverse touche simultanément les butées de fin de course.

3.2.2 Plafond en béton avec plafond suspendu

Pour les pièces à plafond suspendu qui sont difficiles à démonter, il est recommandé de choisir une solution avec des rails montés sur le mur ou montés sur un support mural.

Si le faux plafond peut être facilement retiré ou dans le cas d'un nouveau montage d'un plafond suspendu fixe, nous recommandons une installation avec des supports de descente, pour des raisons esthétiques. Pour cette solution, utilisez le rail profilé en S le plus bas.

Montage avec supports en suspension

Dans le cas d'un montage au plafond, il peut souvent être nécessaire de suspendre le rail vers le bas. Ceci peut s'avérer nécessaire en cas de montage dans une pièce à plafond suspendu, où vous devez assurer la suspension entre le plafond d'origine et le plafond suspendu ou bien si le plafond est trop élevé pour pouvoir suspendre le rail et assurer l'utilisation des intervalles de levage du lève-personne dans la mesure du possible.

Il existe plusieurs possibilités de montage avec suspensions :

A – Suspension utilisant des tiges filetées et des tubes d'écartement ronds, découpés sur le lieu de l'installation. Le montage avec cette méthode est plus précisément décrit dans cette section.

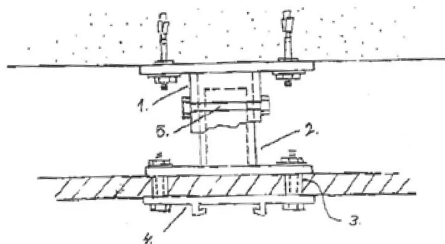
B – Montage avec systèmes de suspension réglables. Ce système de suspension comprend une partie supérieure et une partie inférieure. En poussant la partie supérieure sur l'extérieur de la partie inférieure, la suspension réglable peut couvrir un intervalle donné. En général, une suspension peut être fournie avec les intervalles suivants :

- 200 – 300 mm
- 280 – 460 mm
- 440 – 740 mm

Lorsque l'écartement correct de la suspension a été déterminé en rapport avec le montage, la suspension est tirée jusqu'à cette longueur et fixée par une vis. Un trou est ensuite percé tout du long jusqu'à un boulon M8x65 pour bloquer le système de suspension à la longueur souhaitée.


La partie supérieure de la suspension doit être montée dans le plafond selon la description faite aux chapitres 3.2.1 *Plafond en béton*, page 66 et 3.2.3 *Plafond en bois*, page 69 comme pour le montage avec le support standard.

La partie inférieure de la suspension doit être fixée au raccord de plafond standard final, comme indiqué sur le croquis ci-dessous :



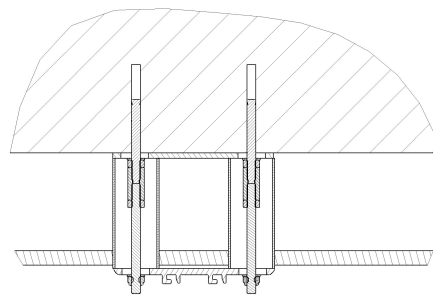
- 1. Suspension, partie supérieure
- 2. Suspension, partie inférieure
- 3. Tube d'écartement traversant le plafond bas, Ø15
- 4. Support de plafond standard
- 5. Boulon de blocage traversant, M8x65

La suspension peut également être livrée avec des dimensions prédéterminées, afin d'éviter le réglage sur site.

 N'oubliez pas de commander les supports de plafond en même temps que la suspension.

Plafond suspendu amovible


En cas de plafond suspendu amovible, l'espace au-dessus du plafond suspendu est accessible et les supports de suspension et le rail peuvent être installés en même temps.



- Plafond en béton.
- Boulons à expansion M8x75, 2 pièces.
- Fourche (plaque d'acier pour une surface d'installation régulière), 1 pièce, 3 mm.
- Écrous M8, 4 pièces.
- Écrous d'accouplement M8, 2 pièces (manchon d'assemblage).
- Contre-écrous M8, 2 pièces.
- Tubes en aluminium Ø40, 2 pièces.
- Support de plafond (standard), 1 pièce.
- Plafond suspendu amovible.
- Tiges filetées M8, 2 pièces.
- Rondelles freins, 2 pièces, 11 x 35 x 2.

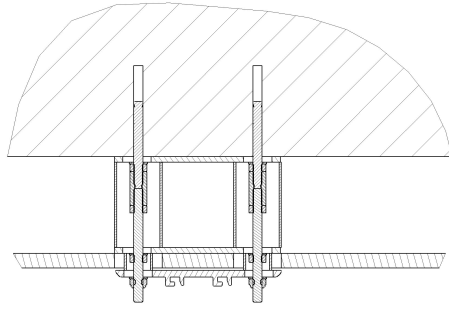
(Un ancrage HKD peut être utilisé en alternative, les tiges sont directement fixées dedans).

1. Pour obtenir la bonne longueur des supports en suspension, utilisez comme point de départ la distance entre le plafond en béton et la face inférieure du plafond suspendu. Cette distance est utilisée pour déterminer la longueur du tube du support de suspension et de la tige filetée. Leur longueur doit être équivalente à la distance précédemment mesurée décrite ci-dessus.
2. Lors de l'installation, commencez par installer la fourche du support de plafond central. Pour ce faire, suivez les instructions de l'installation directement dans un plafond en béton. Dans ce cas, toutefois, les trous des deux boulons à expansion sont percés en même temps.
3. Lorsque vous enfoncez les boulons à expansion, laissez environ 15 mm de saillie sous l'écrou, pour pouvoir y visser l'écrou d'accouplement jusqu'à mi-longueur. Contre-serrez l'écrou d'accouplement contre l'écrou du boulon à expansion. Prenez les mesures du trou dans un plafond suspendu et percez/découpez ce trou à 40 mm de diamètre.
4. Fixez un écrou M8 sur la tige filetée (à environ 20 mm sur la tige) et vissez la tige dans l'écrou d'accouplement jusqu'à ce qu'elle touche le boulon à expansion et contre-serrez l'écrou.
5. Cette opération terminée, poussez les deux tubes en aluminium dans les trous et serrez le rail selon la description mentionnée dans les instructions habituelles.

 La distance entre le plafond suspendu et le support de plafond doit être d'au moins 1 – 5 mm pour éviter d'endommager le faux-plafond.

Plafond suspendu fixe

En cas de plafond suspendu fixe, l'installation du rail se fait en deux étapes. Le support de descente doit donc être fixé sans le support du support de plafond.



- Plafond en béton.
- Boulons à expansion M8x75, 2 pièces.
- Fourches (plaque d'acier pour une surface d'installation régulière), 2 pièces, 3 mm.
- Écrous M8, 6 pièces.
- Écrous d'accouplement M8, 2 pièces
- Contre-écrous M8, 2 pièces.
- Tubes en aluminium Ø40, 2 pièces.
- Tubes d'écartement Ø20 (ou écrous et rondelles), 2 pièces.
- Support de plafond (standard), 1 pièce.
- Plafond suspendu.
- Tiges filetées M8, 2 pièces.
- Rondelles freins, 2 pièces,

(Un ancrage HKD peut être utilisé en alternative, les tiges sont directement fixées dedans).

1. Coupez le tube de support de suspension à une longueur égale à la distance mesurée entre le plafond en béton et la face inférieure du plafond suspendu moins 50 mm.
Cette longueur est appropriée pour une double couche de plâtre dans le plafond et un supplément de 12 mm.
2. Découpez la tige filetée à une longueur égale à la distance entre le plafond en béton et la face inférieure du plafond suspendu moins 10 mm.
3. Lors de l'installation, commencez par installer la fourche supérieure pour le support central du rail, installez la fourche selon la description figurant dans les instructions d'installation pour une installation directe dans un plafond en béton. Dans ce cas, percez les deux trous des boulons à expansion en même temps.
4. Lorsque vous enfoncez les boulons à expansion, laissez environ 15 mm de saillie sous l'écrou, pour pouvoir y visser l'écrou d'accouplement jusqu'à mi-longueur. Contre-serrez l'écrou d'accouplement contre l'écrou du boulon à expansion.
5. Fixez un écrou à environ 20 mm sur la tige filetée et vissez la tige filetée dans l'écrou d'accouplement, jusqu'à ce qu'il touche le boulon à expansion, et contre-serrez l'écrou.
6. Placez la fourche inférieure et fixez-la avec des écrous.
 - ⓘ Évitez la peinture sur la partie inférieure des tiges filetées jusqu'à ce que l'installation soit terminée.
7. Préparez le reste des points d'installation après avoir pris des mesures soigneuses et précises.
La première étape de l'installation est à présent terminée et la construction du plafond suspendu peut être effectuée.

Lors de l'installation finale, placez le tube d'écartement dans le plafond suspendu. Ce tube protégera le plafond suspendu. Découpez le tube d'écartement à une longueur créant une distance de 1 - 5 mm entre la face inférieure

du plafond suspendu et la face supérieure du support d'installation ; à la place des tubes, des écrous et rondelles peuvent être utilisés pour assurer la distance recommandée.

3.2.3 Plafond en bois

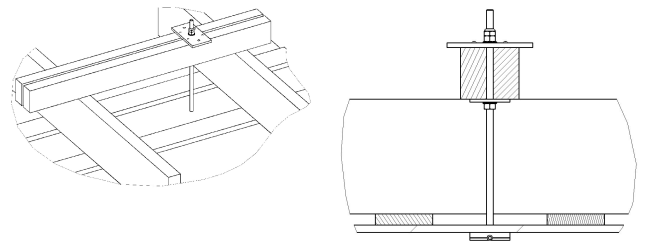


ATTENTION !

- N'installez pas les rails sur un plafond en bois avec des vis de tension, comme des tire-fonds.
- N'installez pas les rails sur un plafond en bois avec des vis à bois sans avoir préalablement procédé à une évaluation des risques.

Support rapide

Dans certains cas, le montage sur une charpente peut constituer une alternative au montage mural ou sur support mural.



La charpente doit obligatoirement être accessible par le dessus. En cas de montage sur charpente, un renfort doit être mis en place. Pour le renfort, il est important de sélectionner du bois de renfort dimensionné pour tolérer la distance entre deux poutres de plafond, afin d'obtenir une capacité portante suffisante. Après avoir marqué tous les supports de plafond dans le plafond, vous devez déterminer si un espace libre subsiste au-dessus du matériau du plafond. Ceci étant fait, percez des trous de 12,5 mm de diamètre dans le matériau du plafond. Les trous peuvent à présent être localisés à partir du dessus, ils peuvent être préparés pour les renforts et vous pouvez mesurer la longueur requise pour les tiges filetées. Le renfort doit couvrir au moins deux poutres de plafond de chaque côté du point de suspension. Si vous utilisez des renforts, vous devez placer deux renforts de 45 x 95 mm en parallèle l'un de l'autre, à une distance de 14 mm, afin de laisser un passage pour une tige filetée M12. Pour déterminer la longueur de la tige filetée, déterminez la hauteur de la poutre de plafond + la longueur du bois de renfort + le matériau du plafond + 60 mm pour la rondelle et les écrous.

Placez la tige filetée adaptée entre le bois de renfort et mettez une rondelle et un écrou avant de guider la tige filetée davantage dans le plafond. Positionnez-la avec une plaque aluminium, une rondelle et un écrou de serrage sur le bois de renfort. La plaque aluminium est vissée dans le bois de renfort à partir du dessus. Laissez la tige filetée dépasser d'environ 25 mm sous le matériau du plafond. Un support de plafond rapide peut à présent être vissé sur la tige filetée sous le matériau du plafond. Le support de plafond rapide est fixé avec un écrou bas M12. La tige filetée doit être entièrement vissée dans l'écrou, mais doit aller plus bas que sous le raccord.

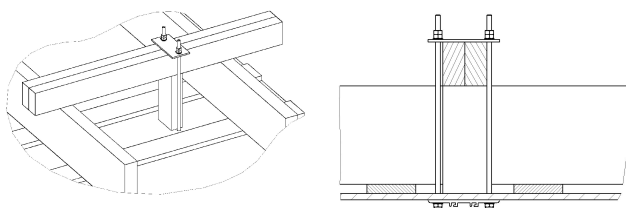
Lors du montage du support et de l'écrou, il est important d'utiliser de l'adhésif sur le support ainsi que sur l'écrou.

Lorsque tous les supports sont montés, soulevez le rail, ajustez la longueur et fixez-le. Avant de fixer le rail au plafond, ce qui se fait à partir du dessus du plafond, assurez-vous que le bois de renfort repose sur les deux poutres de plafond. Si ce n'est pas le cas, placez quelque chose entre.

Fixez à présent l'écrou au-dessus du bois de renfort jusqu'à ce que le support repose régulièrement sur le matériau du plafond. Veillez à ne pas trop serrer pour éviter que le matériau du plafond ne soit tiré entre les poutres de plafond. Placez ensuite une plaque d'acier autour de la tige filetée sous le bois de renfort, et fixez l'écrou dans la plaque d'acier afin de bloquer la position.

Pour finir, fixez un contre-écrou contre l'écrou et sur le dessus du bois de renfort. Les chariots, la butée de fin de course et les embouts de rail sont montés comme indiqué dans la section 5.2.1.

Support standard



- Tiges filetées M10, 2 pièces.
- Écrous M10, 4 pièces.
- Fourche, 1 pièce.
- Entretoises 45 x 90 x 1500 mm, 2 pièces.
- Couche de poutre.
- Sous-plafond.
- Support de plafond, 1 pièce.
- Contre-écrous M10, 2 pièces.
- Rondelle, 2 pièces, 11 x 35 x 2.

Dans certains cas, l'installation avec des vis peut être une alternative à une installation murale ou sur support mural.

Ceci nécessite que la couche de poutre de toit puisse être accessible depuis le dessus. C'est souvent le cas dans les maisons de plain-pied. Pour renforcer la couche de poutre de toit, des renforts de 45 x 95 mm sont placés de chant.

Au lieu des boulons à expansion, une tige filetée M10 de longueur appropriée est utilisée. Une plaque d'installation (fourche) repose sur le dessus des entretoises.

Le renfort doit reposer sur les poutres de toit des deux côtés de la suspension. Si cela n'est pas possible, le renfort doit être fixé pour éviter le basculement à la charge.

Le nombre minimum de trois points de montage par rail pour plafond en béton ne s'applique pas aux plafonds en bois. Ici, c'est la portée maximale qui détermine le nombre de points de montage.

Le reste du processus d'installation est similaire au processus pour les plafonds en béton. Il est toutefois nécessaire de percer les deux trous pour le support central (le support standard) en même temps.

Découpez les tiges filetées à la longueur appropriée et fixez les rondelles et écrous de blocage M10.

Les tiges filetées doivent être vissées du dessous et du haut en passant par la fourche. La fourche est fixée depuis le dessus jusqu'aux renforts avec des pointes et des vis.

Avant de fixer le rail au plafond, ce qui se fait à partir du dessus du plafond, assurez-vous que le bois de renfort repose sur les deux poutres de plafond. Si ce n'est pas le cas, placez quelque chose entre.

Lors du serrage des écrous, veillez à ne pas endommager le plafond suspendu.

3.3 Installation murale – rail suspendu par l'extrémité

Les recommandations qui suivent sont purement données à titre indicatif. Des boulons à expansion d'épaisseur et de qualité similaires peuvent éventuellement être utilisés. Conformez-vous toujours strictement aux recommandations de votre fournisseur.

Pour une installation en suspension libre, l'extrémité des rails peut être fixée au mur au moyen de fixations murales ou d'un support mural. En cas de doute sur la capacité portante du matériau utilisé pour la construction du mur, optez pour un support mural. Lors de l'installation de rails librement suspendus, il convient de respecter la longueur maximale du rail, en fonction du rail profilé sélectionné. La distance entre les murs doit être de 2 m au maximum pour le rail profilé en S, de 4 m pour le rail profilé en M et de 8 m pour le rail profilé en L.

Si vous devez monter ou démonter un chariot de lève-personne après l'installation, la distance entre un mur et le rail doit être au moins de 160 mm. Pour une installation secondaire du lève-personne Robin Mover, la distance doit être au minimum de 300 mm. Si vous devez monter ou démonter le chariot de traverse après l'installation, la distance entre le premier mur et le rail doit être de 350 mm au moins (la distance minimale entre le rail et le mur doit toujours être de 60 mm. Si un rail profilé en S est monté au mur, il n'est pas possible de monter ou démonter le chariot après l'installation.

3.3.1 Rail profilé en M et L

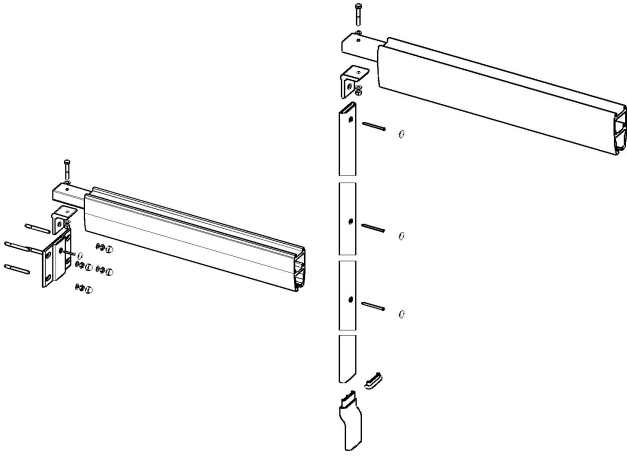
Lors de l'installation de fixations murales ou de pieds de support mural, laissez un espace entre le plafond et le bord supérieur de la fixation murale ou du support au sol. Cet espace doit être au minimum :

- de 80 mm pour le rail profilé en M,
- de 150 mm pour le rail profilé en L.

Si vous utilisez des pieds de support mural, coupez le profilé du pied de support à une longueur appropriée côté sol.



N'oubliez pas de laisser de la place pour le pied de support au sol.



En présence de plinthes, vous pouvez soit utiliser le pied de support mural haut, soit découper la plinthe.

Installez toujours les pieds de support mural directement contre le mur sur toute leur longueur.

Tracez des repères pour les trous à l'aide d'un niveau, puis percez les trous.

Mur en béton

Lors du montage d'un rail en suspension libre dans un mur en béton, vous devez utiliser une fixation murale.

Pour le montage, nous vous recommandons d'utiliser soit des chevilles à expansion M10x68 (Hilti HSA ou équivalentes, par exemple), avec une profondeur de perçage min. de 60 mm et un diamètre de 10, soit du mortier adhésif (Hilti HIT-HY 150 et HAS M10 ou équivalent, par exemple) avec une profondeur de perçage min. de 95 mm et un diamètre de 12 (en cas d'installation dans des pièces humides, utilisez des chevilles en acier inoxydable HAS de qualité A4-70).

Mur en brique

En cas de montage dans des briques, des fixations murales ordinaires doivent être utilisées. Nous préconisons cependant l'utilisation de supports au sol si le mur en brique est très poreux.

Pour le montage dans des briques pleines, nous vous recommandons d'utiliser du mortier adhésif (Hilti HIT-HY 50 et HAS M10 ou équivalent, par exemple), avec une profondeur de perçage min. de 90 mm dans la brique 1/2 et de 170 mm dans la brique 1/1 et un diamètre de 12 (en cas d'installation dans des pièces humides, utilisez des chevilles en acier inoxydable HAS de qualité A4-70).

Dans le cas d'un montage dans des briques creuses, nous vous recommandons d'utiliser soit une cheville cadre (Hilti HRDUGT ou équivalente, par exemple), avec une profondeur de perçage min. de 80 mm et un diamètre de 10, soit du mortier adhésif (Hilti HIT-HY 20 et HAS M10 ou équivalent, par exemple), avec une profondeur de perçage min. de 95 mm, et un diamètre de 16.

Pour le montage dans des constructions en briques poreuses, nous vous recommandons d'utiliser du mortier adhésif (Hilti HIT-HY 50 et HAS M10 ou équivalent, par exemple), avec une profondeur de perçage min. de 90 mm dans la brique 1/2 et de 170 mm dans la brique 1/1 et un diamètre de 12. Si vous utilisez des supports muraux

pour le montage, utilisez des chevilles HAS M8, avec une profondeur de perçage min. de 80 mm et un diamètre de 10.

Béton léger

Lors d'un montage dans du béton léger, vous pouvez utiliser soit des fixations murales, soit des supports muraux, suivant l'état de la cloison. Pour ce type de montage, nous vous recommandons d'utiliser du mortier adhésif (Hilti HIT-HY 50 et HAS M10 ou équivalent, par exemple), avec une profondeur de perçage min. de 90 mm et un diamètre de 12 (M8 pour le montage des supports muraux).

Vous pouvez également utiliser une cheville à béton léger (Hilti HGN, HUD-1 10L ou équivalente, par exemple), avec une profondeur de perçage min. de 90 mm, et un diamètre de 10/une profondeur de perçage min. de 80 mm, un diamètre de 8 pour HUD-1 8L.

Mur en plâtre

Reportez-vous également au chapitre 3.7 *Montants de support mural*, page 73

1. Procédez à l'installation de la fixation murale ou du support mural avec la console, le pied de support mural et des embouts pour couvrir les trous de vis.
2. Insérez le chariot du lève-personne ou le chariot de traverse dans le rail. Le chariot du lève personne peut être orienté dans les deux directions, tandis que l'orientation du chariot de traverse doit correspondre à la disposition du système de traverses.
3. Insérez des butées de fin de course aux deux extrémités du rail et serrez-les d'abord à la main.
4. Insérez le tube d'insertion dans le rail. Le trou du tube doit être orienté vers l'extérieur.
5. Soulevez le rail tout en le maintenant contre le tube d'insertion pour éviter qu'il ne glisse dans le rail.
6. Montez le tube d'insertion sur la console murale ou le montant de support mural.
7. Ajustez le rail longitudinalement pour obtenir la distance correcte entre le mur et le rail.
8. Il doit exister un chevauchement de 300 mm au moins entre le rail et le tube d'insertion. Vérifiez-le en regardant par le trou d'inspection qui se trouve sur le côté du rail. Le trou d'inspection se trouve exactement à 300 mm à partir de l'extrémité du rail.
9. Lorsque le rail est correctement positionné, percez un trou de 7 mm de diamètre dans le rail et dans le tube d'insertion, à environ 100 mm en partant de l'extrémité du rail. Fixez correctement le rail au moyen de boulons M6 et d'écrous de blocage.
10. Une fois le rail mis en place, réglez la butée de fin de course dans la position voulue. Lors du positionnement de la butée de fin de course, veillez à ce que le lève-personne ne puisse pas heurter le mur. Avec un système de traverses, vérifiez que les deux chariots de traverse sont simultanément arrêtés par la butée de fin de course.

Fixation murale angulaire

Le rail peut être installé en diagonale dans la pièce. L'angle maximal d'inclinaison du rail est de 45°.

Le montage s'effectue de la même façon que pour un montage mural standard avec ou sans supports muraux. Le tube est cependant livré préparé pour un montage en angle.

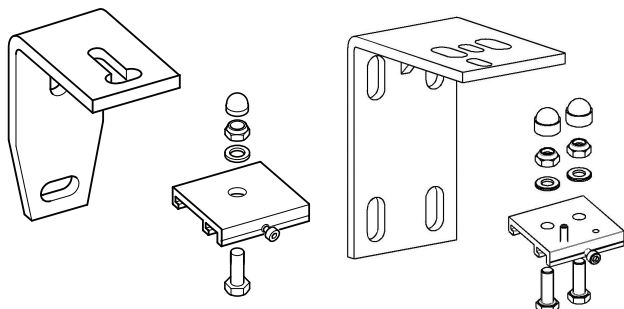
3.4 Installation murale – support en suspension latérale ou support en suspension latérale/par l'extrémité

Lors de l'installation d'un système de rails avec suspension latérale, les rails parallèles peuvent être installés près du mur.


Lors de l'installation d'un système de rails avec suspension latérale, le mur doit être suffisamment résistant pour que les montants de supports muraux soient inutiles.

Lors de l'installation d'un profilé en S, la distance maximale entre chaque point de fixation doit être de 2 000 mm, mais 3 points au moins sont nécessaires.

Lors de l'installation d'un profilé en M, la distance maximale entre chaque point de fixation doit être de 4 000 mm, mais 3 points au moins sont nécessaires.



Mesurez toujours la distance entre les deux murs précisément, à la bonne hauteur et au bon emplacement du système. Le support mural peut être ajusté à +/- 6 mm. Si un ajustement supérieur est requis, utilisez une plaque de 6 mm entre le support et le mur.

 L'aspect final est influencé par le parallélisme entre le mur et le rail. Soyez précis.

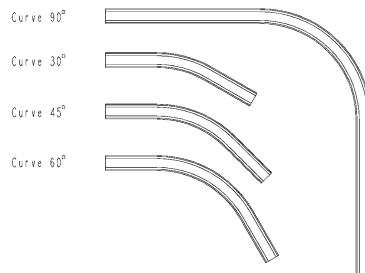
Dans ce cas de figure, les mesures du système de traverses correspondent à la dimension de la pièce mesurée, moins 206 mm (si l'installation est à suspension intermédiaire) et 62 mm (si l'installation est suspendue par le dessous).

Là encore, les mesures doivent être précises et la possibilité d'ajustement doit être prise en considération du fait de l'irrégularité du mur.

L'installation murale dépend de la structure du mur. Suivez toujours les recommandations du chapitre 3.3.1 *Rail profilé en M et L*, page 70. Après avoir installé les supports muraux et les deux rails parallèles, suivez les instructions de la section 3.8 *Montage du système de traverses*, page 74.

3.5 Coudes

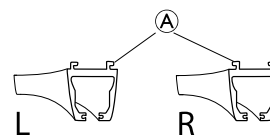
Les coudes suivants sont disponibles :



- Angle de 30°, 0,2 + 0,2 m, extrémités droites
- Angle de 45°, 0,2 + 0,2 m, extrémités droites
- Angle de 60°, 0,2 + 0,2 m, extrémités droites
- Angle de 90°, 0,6 + 0,6 m, extrémités droites

Tous les coudes ont un rayon de 400 mm.

Les coudes sont disponibles avec arrondi à droite et arrondi à gauche. Lorsque plusieurs coudes sont inclus dans un même système de rails, il est essentiel de bien différencier les coudes avec arrondi à droite et avec arrondi à gauche.



- Arrondis à gauche (G) : goupilles de montage (A) vers l'extérieur du coude.
- Arrondis à droite (D) : goupilles de montage (A) vers l'intérieur du coude.

Des goupilles de tube et des supports d'accouplement avec vis de blocage sont utilisés pour raccorder les coudes aux rails droits.

Position des supports sur les coudes

Angle de 30°, 0,2 + 0,2 m, extrémités droites : un support d'accouplement aux deux extrémités, si le coude est raccordé à des rails droits.

Angle de 45°, 0,2 + 0,2 m, extrémités droites : un support d'accouplement aux deux extrémités, si le coude est raccordé à des rails droits et un support étroit au milieu du coude.

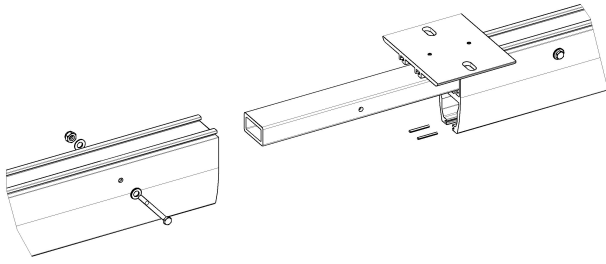
Angle de 60°, 0,2 + 0,2 m, extrémités droites : un support d'accouplement aux deux extrémités, si le coude est raccordé à des rails droits et un support étroit au milieu du coude.

Angle de 90°, 0,6 + 0,6 m, extrémités droites : un support d'accouplement, si le coude est raccordé à des rails droits et un support étroit au milieu du coude.

Pour plus de précisions sur l'installation des coudes, reportez-vous à la section : 5.2.1.1 et à la section 5.2.1.2.

3.6 Raccord de rail

3.6.1 Raccord de rail pour profilés en M et L



Les éléments suivants sont utilisés pour le raccord de rail :

- Rail profilé en M n° 1.
- Rail profilé en M n° 2.
- Tube d'insertion (pour rail profilé en M).
- Support d'accouplement (rapide ou standard).
- Goupilles de tube.
- Vis d'arrêt.
- Boulon M6.
- Rondelle.
- Contre-écrous M6.

Poussez le tube d'insertion à mi-chemin dans le rail profilé n°1 et fixez-le à l'aide d'un boulon traversant. Percez ensuite des trous d'une profondeur maximale de 3,2 mm pour les goupilles dans le rail profilé n° 2. La profondeur doit correspondre à la moitié de la longueur des goupilles. Enfoncez les goupilles à mi-chemin dans le rail profilé n°1 et appuyez-les les unes contre les autres à l'extrémité.

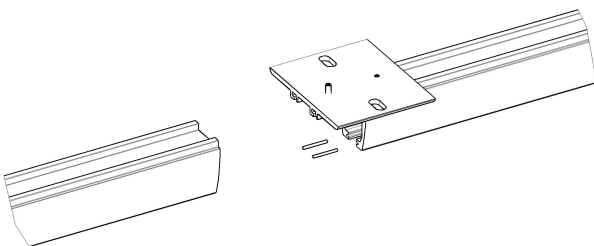
Poussez le support d'accouplement à moitié sur le rail profilé n° 1 et fixez-le avec la vis d'arrêt.

Le support d'accouplement n'est nécessaire que si le rail est monté au plafond. Il n'est pas indispensable si vous raccordez un rail de traverse. Poussez ensemble les rails profilés n°2 et n°1 et fixez-les avec la vis de blocage dans le support d'accouplement et le boulon traversant.

Installez le rail raccordé en vous conformant aux instructions d'installation des rails profilés droits (reportez-vous à la section 5.2).

Lors du raccordement de rails longs, il peut s'avérer difficile de soulever le rail raccordé en une seule pièce. Dans ce cas, commencez par installer le premier rail au plafond. Soulevez ensuite le rail suivant préparé pour le raccordement et enclenchez les rails ensemble.

3.6.2 Raccord de rail pour profilé en S



Les éléments suivants sont utilisés pour le raccord de rail :

- Rail profilé n° 1

- Rail profilé n° 2
- Support d'accouplement (rapide ou standard)
- Goupilles de tube
- Vis d'arrêt

1. Percez les trous pour les goupilles de tube dans le rail profilé n° 2 jusqu'à 3,2 mm de diamètre à une profondeur correspondant à la moitié de la longueur des goupilles de tube.
2. Enfoncez les goupilles de tube à moitié dans le rail profilé n° 1 et serrez-les ensemble à l'extrémité.
3. Poussez le support d'accouplement à moitié sur le rail profilé n° 1 et fixez-le avec la vis d'arrêt.
4. Insérez le rail profilé n° 2 dans le support d'accouplement et enfoncez les deux rails ensemble.
5. Serrez la vis d'arrêt sur le rail profilé n° 2.
6. Installez les rails raccordés en vous conformant aux instructions d'installation des rails profilés droits.

! IMPORTANT !

Lors du raccord de rails longs, il peut s'avérer difficile de soulever le rail raccordé en une seule pièce.

– Dans ce cas, commencez par installer le premier rail au plafond. Soulevez ensuite le rail suivant préparé pour le raccordement et enclenchez les rails ensemble.

3.7 Montants de support mural

Les montants de support mural sont utilisés pour l'installation sur plaques de plâtre et murs constitués d'autres matériaux légers.

- Profilé de montant de support mural (longueur réglable).
- Console de support.
- Pied de support mural.
- Embouts plastique.
- Vis M6.

Le montant du support mural est coupé à la longueur appropriée, à l'extrémité en appui sur le sol.

Lorsque vous prenez les mesures de la longueur du profilé, incluez une distance minimale entre le haut du support et le plafond. Distance minimale à observer :

- Profilé en M : 80 mm min.
- Profilé en L : 150 mm min.



Montez le montant de support mural sur le mur avec trois vis. Utilisez des vis de 6 mm de diamètre. Le matériau du mur détermine le choix des vis.

i Pour le montage dans le plâtre, nous recommandons d'utiliser des chevilles universelles pour les cavités (Hilti HGA ou équivalentes, par exemple).

En présence de plinthes, vous pouvez soit utiliser le pied de support mural haut, soit découper les plinthes.

**IMPORTANT !**

- N'oubliez pas de laisser de la place pour le pied de support mural.
- Installez toujours le montant du support mural directement sur le mur sur toute sa longueur.

3.8 Montage du système de traverses

Les rails parallèles sont montés au plafond ou au mur, comme indiqué dans la section précédente relative aux conditions de montage.

Même si les deux rails parallèles sont montés au moyen de raccords rapides ou standard, il est essentiel que l'écart de parallélisme entre les deux rails ne dépasse pas +/- 2 mm.

Lors du montage des rails parallèles, il convient de déterminer si un chariot de traverse devra pouvoir être ultérieurement inséré. Si ce n'est pas nécessaire, les rails peuvent courir tout le long du mur (la distance minimale entre le rail et le mur doit toujours être de 60 mm). Dans ce cas, il est important que le chariot de traverse et la butée de fin de course soient installés dans le rail avant son montage. En revanche, si une insertion ultérieure du chariot doit rester possible, il est essentiel que la distance minimale entre une extrémité du rail et le mur soit de 350 mm.

Dans les rails parallèles, la butée de fin de course doit être placée de façon à permettre l'arrêt simultané des deux chariots de traverse.

La distance entre deux rails parallèles est toujours mesurée de centre à centre des deux rails.

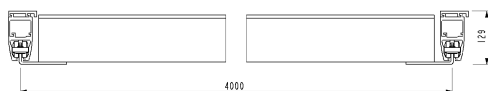
En règle générale, les valeurs suivantes sont appliquées au rail de traverse en ce qui concerne la portée libre entre les rails parallèles et la saillie maximum possible pour un rail.

- Rail profilé en S : portée libre max. de 2 m, saillie max. de 200 mm
- Rail profilé en M : portée libre max. de 4 m, saillie max. de 200 mm
- Rail profilé en L : portée libre max. de 8 m, saillie max. de 400 mm



Lorsqu'un rail est monté en suspension intermédiaire partielle, c'est toujours la saillie max. du profilé en S qui s'applique.

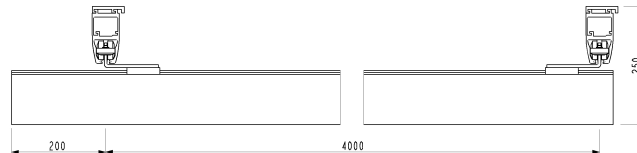
Il existe trois méthodes de montage possibles pour le rail de traverse :

Le rail de traverse est à suspension intermédiaire

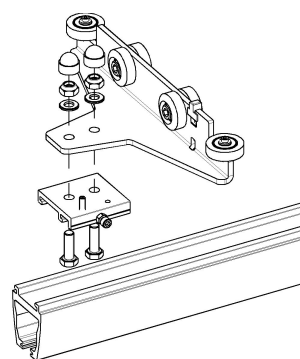
La mesure pour le rail de traverse correspond toujours à la distance entre les deux rails parallèles moins 86 mm.

Lorsque le rail de traverse est monté en suspension intermédiaire, le chariot du lève-personne est inséré dans le rail et les butées de fin de course sont placées aux deux extrémités du rail de traverse sans être serrées. Veillez à ce que l'embout en caoutchouc de la butée de fin de course soit toujours orienté vers l'intérieur en direction du chariot du lève-personne. Soulevez le rail au-dessus du

chariot de traverse, de façon à ce que les deux boulons de la butée de fin de course soient alignés avec les deux trous du chariot de traverse, puis fixez-le à l'aide de rondelles et de contre-écrous. Avant de fixer complètement le rail, vérifiez que la distance entre le rail de traverse et chacun des rails parallèles est égale aux deux extrémités. Lorsque le rail est fixé, installez les embouts de protection sur les contre-écrous et dans les rails.

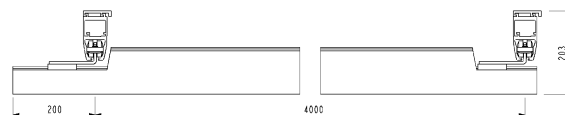
Le rail de traverse est suspendu par le dessous

Une fois les rails parallèles montés et les chariots de traverse et butées de fin de course correctement positionnés et fixés, installez les supports de traverse rapides au-dessous du chariot de traverse, comme indiqué sur l'illustration.



Que les deux chariots de traverse soient orientés à l'opposé l'un de l'autre ou dans la même direction, il est essentiel que les deux supports de traverse rapides soient dans la même direction, sans quoi des problèmes risquent de se produire lors du montage du rail.

Lorsque le rail de traverse a été correctement installé dans le sens de la longueur et fixé dans le support de traverse rapide au moyen de la vis Allen, il est fixé au moyen d'une vis centrale de tour, complètement vissée dans le support de traverse rapide par le dessus.

Le rail de traverse est à suspension intermédiaire partielle

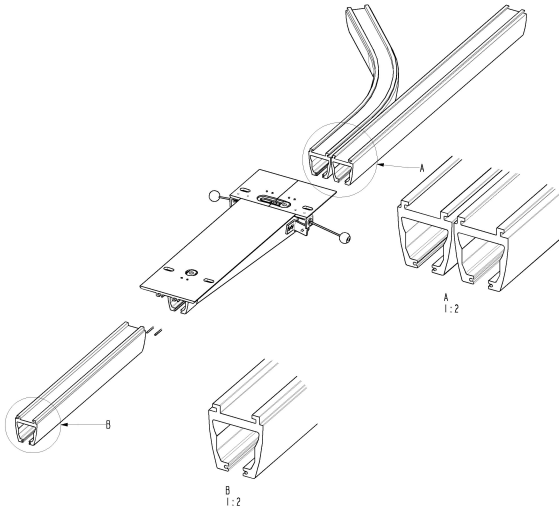
Lorsque le rail de traverse est à suspension intermédiaire partielle, le même principe de montage que pour le rail de traverse suspendu par le dessous s'applique. Dans ce cas, le rail est découpé à la livraison, ce qui permet de monter le support de traverse rapide sur le point de suspension intermédiaire du rail.

Avant de monter le rail de traverse, il convient de déterminer si le chariot du lève-personne devra pouvoir être ultérieurement monté.

3.9 Installation des aiguillages de voies

L'aiguillage de voie est utilisé lorsqu'un changement de direction est requis pendant le déplacement du patient.

L'aiguillage de voie se fait manuellement. En raccordant l'aiguillage de voie avec des rails droits et des rails courbes, différentes combinaisons peuvent être obtenues.



L'aiguillage de voie ne peut être utilisé qu'en association avec une installation au plafond et des rails profilés en S. L'aiguillage de voie est conçu pour un support de plafond standard.

Lors de la commande ou de l'installation du système monorail droit ou courbe, il est essentiel de tenir compte de l'orientation des chevilles de fixation de l'aiguillage de voie. Un seul aiguillage de voie standard est disponible (reportez-vous à l'illustration).

En cas d'installation dans un plafond en béton, reportez-vous au chapitre 3.2.1 *Plafond en béton*, page 66 (supports standard) et au chapitre 3.6.2 *Raccord de rail pour profilé en S*, page 73.

Un réalésage est exécuté dans les rails lors du raccordement des rails. Ce réalésage est réalisé dans l'aiguillage de voie à la livraison et les goupilles de tubes nécessaires sont fournies. Lors de l'installation des rails sur l'aiguillage, n'oubliez pas de serrer les vis de blocage pré-installées sur l'aiguillage de voie (reportez-vous à l'illustration). Pour l'installation d'un aiguillage de voie sur différents types de plafond ou en combinaison avec des suspensions, veuillez contacter Invacare® pour obtenir de plus amples informations.



IMPORTANT !

– Après l'installation, les fonctions de l'aiguillage de voie et la fixation des butées de fin de course doivent être contrôlées.

3.10 Raccord de transit

Le raccord de transit est utilisé dans des situations où le transport d'une pièce à l'autre est nécessaire en utilisant un seul moteur Robin. Le raccord est commandé électriquement.

Le raccord de transit peut être installé dans différentes combinaisons de systèmes de rails. Le raccord peut être utilisé pour relier soit deux systèmes de traverses soit un système de traverses et un système monorail.

Le raccord est livré en longueur standard de 800 mm et peut être utilisé sur un mur de 170 mm d'épaisseur au maximum. Le raccord est livré avec un bouton de

commande, une alimentation électrique avec 2 mètres de câbles (à ajuster au moment de l'installation) et un manuel d'utilisation.



Si un raccord de transit est nécessaire en présence de murs de plus de 170 mm d'épaisseur, veuillez contacter Invacare®.

Lors de la commande du raccord de transit, il est important de commander des dispositifs de verrouillage des rails pour la pièce 1 et la pièce 2. Pour le raccord à un système monorail, reportez-vous à la section 5.5 relative au raccord de rail. Les suspensions pour l'installation ne sont pas fournies avec le raccord. Veuillez les commander à la longueur requise pour le raccord.

Installation recommandée :

1. Raccord de transit
2. Système de traverses/système monorail
3. Dispositifs de positionnement
4. Essai final – Essai de fonctionnement et de charge

3.10.1 Perçage du trou dans le mur/l'encadrement de porte



ATTENTION !

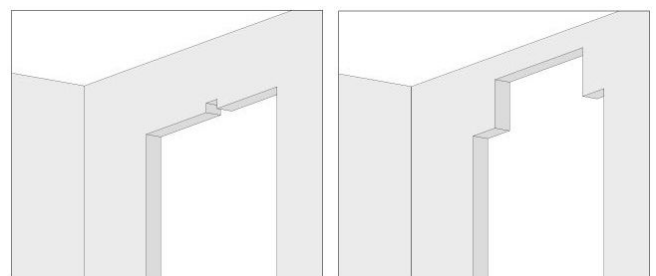
– Avant de percer le trou dans le mur, assurez-vous qu'il ne s'agit pas d'un mur porteur.

Le trou doit toujours être placé exactement au centre de l'encadrement de porte :

Si seul le rail doit traverser le mur, le trou doit mesurer 73 mm de haut et 65 mm de large au minimum.

Si une hauteur de levage supérieure est nécessaire, le trou doit être plus grand.

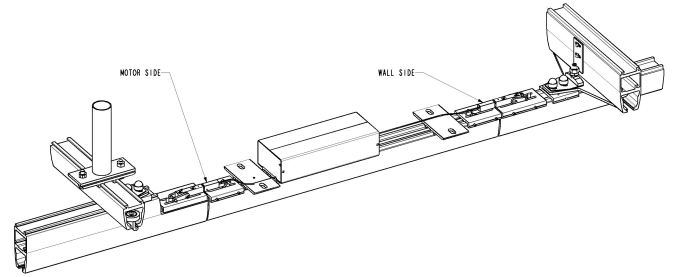
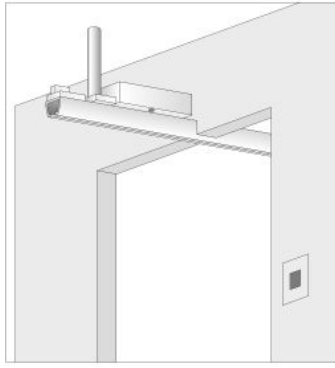
Si la hauteur du trou est supérieure à 80 mm, sa largeur doit être de 600 mm au moins pour permettre le passage du lève-personne sur rail.



Le meilleur résultat est obtenu si le raccord de transit a été pris en considération dès le début de la construction de la maison. L'encadrement de porte peut ainsi être conçu avec la hauteur de levage optimale.

3.10.2 Installation du raccord de transit

Le raccord est livré monté avec le compartiment moteur, les dispositifs de fixation des suspensions et les dispositifs de verrouillage. Le raccord de transit livré est préparé de façon à ce que le compartiment moteur soit placé dans l'une des deux pièces après l'installation.



Le compartiment moteur et les dispositifs de verrouillage doivent être placés tels que fournis à la livraison, pour garantir le bon fonctionnement et la sécurité du système. Les dispositifs de fixation des suspensions peuvent être placés librement tant qu'ils sont conformes à la construction du système. Reportez-vous au schéma de mesures ci-dessous.

i Il est très important que l'épaisseur du mur soit préalablement contrôlée.

Lors de l'installation du raccord de transit, il est essentiel que le compartiment moteur soit placé dans la pièce à l'endroit prévu au moment de la commande, car tout le système est réalisé en fonction de l'endroit où va se trouver le compartiment moteur.

L'installation avec suspensions est décrite au chapitre 3.2.2 *Plafond en béton avec plafond suspendu*, page 67.

Reportez-vous au schéma de mesures ci-dessous pour plus d'informations.

L'installation du raccord de transit n'est possible qu'en utilisant les suspensions. Le raccord ne peut par conséquent être installé que si un montage au plafond est possible.

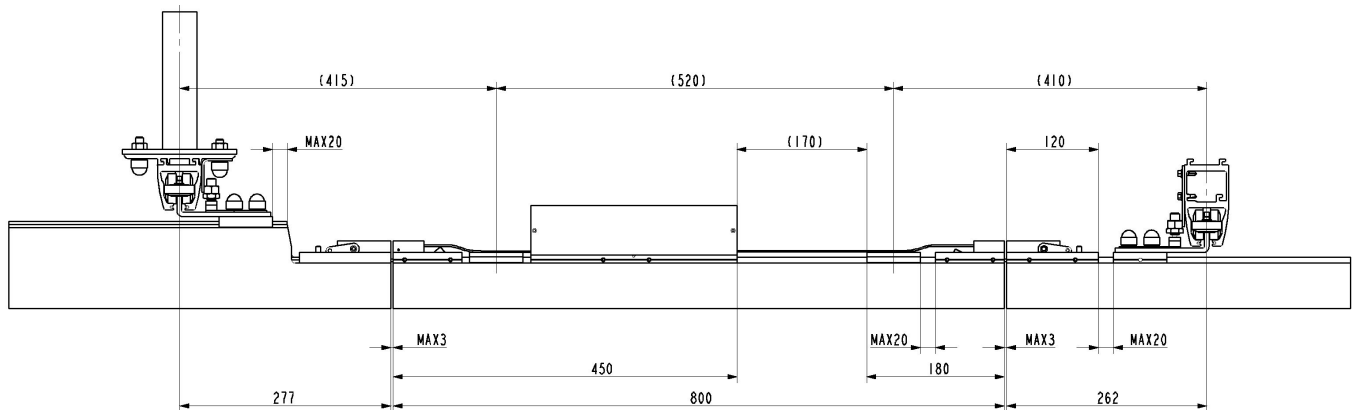
On obtient le meilleur résultat dans un plafond en béton.

Lors de l'installation dans des plafonds en bois, il est très important que le système de traverses et le raccord soient installés de façon à ce qu'ils se courbent de façon égale et avec une courbure minimale.

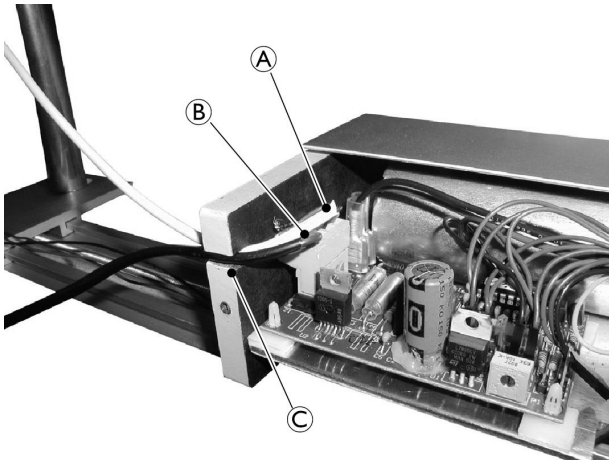
S'il est nécessaire de renforcer le plafond dans une construction à plafond en bois, veillez à le renforcer avec une construction reliée entre le système de rails et le raccord de transit.

N'installez pas les suspensions dans différents chevrons car dans ce cas, le raccord et le système de traverses ne se courberaient pas de façon égale et le raccord ne fonctionnerait pas correctement.

Schéma de mesures pour raccord de transit



3.10.3 Installation et raccordement du bouton de commande et du bloc d'alimentation



Avant le raccordement du bouton de commande et du bloc d'alimentation, il est nécessaire de démonter les capots du bloc moteur. Pour ce faire, il suffit de desserrer les deux vis qui maintiennent chaque capot, puis de tirer horizontalement sur les capots pour les placer sur le côté.

Le commutateur de commande est installé dans la pièce, à la hauteur choisie par l'utilisateur. Des outils sont nécessaires pour ouvrir le commutateur de commande et pour fixer sa face arrière au mur à l'aide de deux vis de 3,5 x 30 mm de diamètre.

Le câble est raccourci à une longueur appropriée et raccordé au bloc moteur. Reportez-vous à la pos. A sur l'illustration.

Le bloc d'alimentation est fixé au mur. Il peut être visible ou masqué, selon les besoins. Le bloc d'alimentation est fixé au mur à l'aide d'une vis de 3,5 x 30 mm de diamètre, insérée dans le trou « de serrure » qui se trouve sur la face arrière du bloc d'alimentation.

Dans la partie inférieure du bloc d'alimentation, un trou destiné à recevoir une vis de 3,5 x 30 mm de diamètre permet de fixer le bloc d'alimentation au mur. Le câble est raccourci à une longueur appropriée et raccordé au bloc moteur. Reportez-vous à la pos. B sur l'illustration.

Une fois les câbles correctement raccordés, le capot est remis en place et le commutateur de commande testé. Veillez à bien monter les câbles sur la plaque d'extrémité afin d'éviter toute interférence avec le capot lors de sa remise en place. Reportez-vous à la pos. C sur l'illustration.



ATTENTION !

Il est essentiel qu'aucun câble desserré ne pende du raccord.

3.10.4 Installation d'un système de traverses avec dispositif de verrouillage pour raccord de transit

En règle générale, un système de traverses est installé comme indiqué au chapitre 3.8 *Montage du système de traverses*, page 74. Nous recommandons de monter le rail parallèle du système de traverses au plafond pour que le raccord de transit soit aussi stable que possible.

Lors de l'installation du rail parallèle, veillez à toujours placer un support de plafond/une suspension devant

le raccord de transit, tout particulièrement sur le rail le plus proche du raccord de transit. Reportez-vous au chapitre 3.10.6 *Montage des dispositifs de positionnement sur des rails parallèles profilés en S et profilés en M/L*, page 78.

Lorsque le rail parallèle est monté, il est important de respecter une distance correcte par rapport au raccord. Reportez-vous à l'illustration du chapitre *Schéma de mesures pour raccord de transit*, page 76

À la livraison, le rail de traverse est ajusté selon la commande spécifique. S'il est toutefois nécessaire de raccourcir le rail, il doit l'être du côté opposé de l'endroit où se trouve le raccord.

Il est possible d'utiliser les rails de traverse suivants avec un système de raccord de transit :

- Profilés en S, M et L, suspendus par le dessous
- Profilés en M et L, en suspension intermédiaire partielle

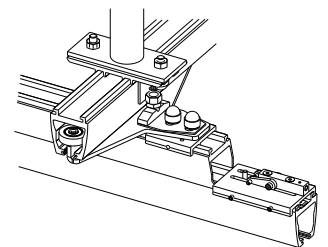
Il est très important de respecter la bonne suspension pour l'écartement du rail de traverse entre les suspensions et la portée des rails pour veiller à ce que les rails puissent être raccordés correctement. Reportez-vous à l'illustration ci-dessus.

Lorsque le système de traverses et le raccord sont installés, il est très important de contrôler la hauteur qui les sépare et de l'ajuster si nécessaire.

Le bord inférieur du rail de traverse ne doit pas différer de plus de 0,5 mm du rail du raccord. En cas de différence de hauteur, c'est le rail du raccord qui doit être le plus bas.

Il peut être nécessaire de régler la hauteur différemment selon le poids de l'utilisateur ou l'état du plafond, afin d'optimiser la fonction du raccord.

Lorsque les dispositifs de verrouillage sont installés, il est très important qu'ils soient alignés avec l'extrémité du rail de traverse et qu'ils soient placés correctement par rapport au dispositif de fixation sur le raccord, avant de les verrouiller. Reportez-vous à l'illustration.



Les dispositifs de verrouillage des profilés en M et en L sont livrés avec une petite plaque qui doit impérativement être installée.

3.10.5 Installation d'un rail simple pour un système de raccord

Lorsque le raccord est installé avec un rail simple dans l'une des pièces, il est préparé sans dispositif de verrouillage dès la livraison.

Lorsque le raccord est installé avec un rail profilé en S, le rail est raccordé comme indiqué dans le chapitre 3.6.2 *Raccord de rail pour profilé en S*, page 73.

La suspension est montée dans le dispositif de fixation du raccord.

Le reste du système monorail est installé comme indiqué dans les chapitres 3.2 *Système de montage au plafond*, page 66 et 3.6 *Raccord de rail*, page 73.

3.10.6 Montage des dispositifs de positionnement sur des rails parallèles profilés en S et profilés en M/L

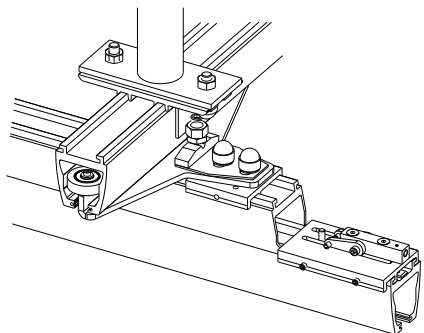


ATTENTION !

Il est essentiel que tous les éléments soient réglés correctement et fixés avec précision afin de garantir la sécurité et le bon fonctionnement du système.

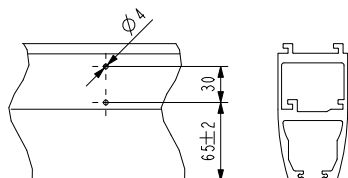
- Testez entièrement le système après l'installation.

Le dispositif de positionnement est monté pour faciliter la mise en place du rail de traverse par rapport au raccord. Le dispositif est monté sur le rail le plus proche du raccord et est orienté vers le raccord. Reportez-vous à l'illustration.



Le dispositif de positionnement des rails profilés en S est en partie monté dans le dispositif standard. Il est donc important de placer un dispositif de fixation standard devant le rail de raccord.

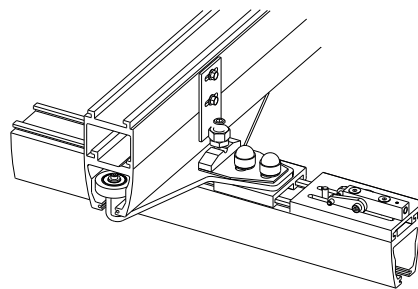
Une partie du dispositif de positionnement est montée avec le boulon M10 sur le support de plafond standard dans la même direction que le dispositif de fixation rapide sur le chariot de traverse. La partie traverse du dispositif de positionnement est montée sur le dispositif de fixation rapide du chariot de traverse. Reportez-vous à l'illustration.



Le dispositif de positionnement des rails profilés en M/L est monté respectivement sur le rail parallèle et sur le rail de traverse. La partie traverse du dispositif de positionnement est montée sur le dispositif de fixation rapide du chariot de traverse.

Le rail de traverse et le raccord de transit doivent être raccordés lors du montage de la partie rail parallèle part du dispositif de positionnement. Il est ainsi possible de repérer une position correcte pour les dispositifs de fixation avant leur montage. Une fois la bonne position repérée, les rails sont à nouveau séparés avant de percer

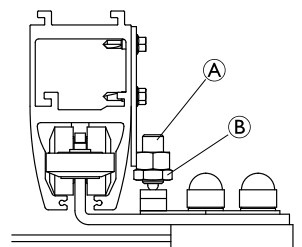
des trous de 4 mm de diamètre pour les vis. Reportez-vous à l'illustration ci-dessous.



Réglage du serrage

Les dispositifs de positionnement doivent être ajustés à un serrage permettant au raccord de prendre le rail de traverse, mais en même temps de passer sur le raccord sans être pris par ce dernier.

1. Si le dispositif de positionnement est trop serré, desserrez la vis flexible noire (A).
2. Si le dispositif de positionnement est trop lâche, serrez la vis (A).
3. Serrez le contre-écrou (B) (M12) après chaque réglage.



Réglage des dispositifs de positionnement

La partie rail parallèle du dispositif de positionnement peut être ajustée en desserrant les vis et en déplaçant le dispositif à l'horizontale jusqu'à ce que le rail se trouve devant le raccord.

Après le réglage, le dispositif peut être serré.

Veuillez noter qu'il reste un peu de jeu à répartir des deux côtés du rail.

3.11 Installation du lève-personne sur rail sur le système de rails


Le lève-personne Robin exige un chariot qui le guide dans le système de rails. Le lève-personne Robin Mover est équipé d'un chariot intégré et peut par conséquent être directement installé sur le système de rails.

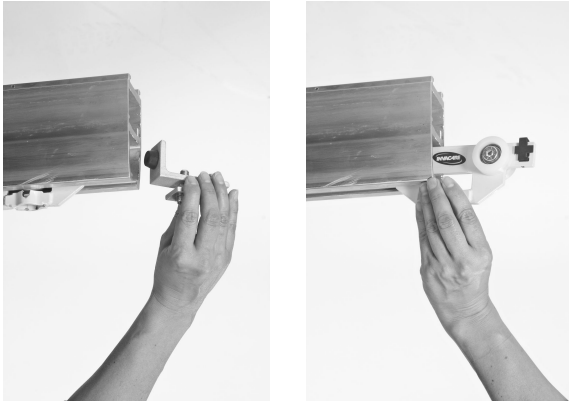
3.11.1 Installation du lève-personne Robin®




Outils : clé Allen de 4 mm/clé à douille de 17 mm

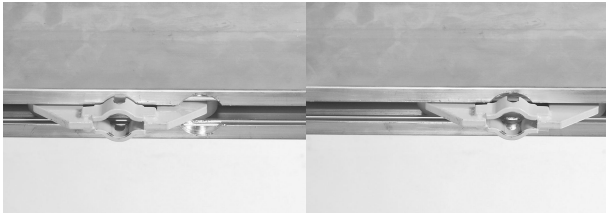
1. Pour installer le chariot, retirez la butée de fin de course fixée au système de rails.

 Dans certains pays/certaines régions, une double fixation est exigée pour les butées de fin de course. Si une vis de fixation supplémentaire est installée, retirez d'abord cette vis.

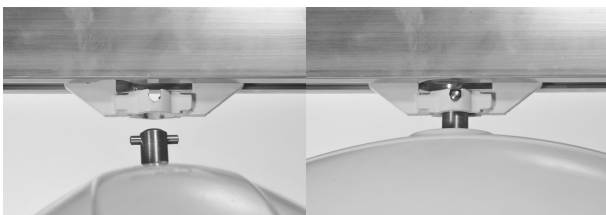


2. Insérez le chariot dans le rail (le sens importe peu, dans la mesure où le chariot est symétrique).
3. Réinsérez la butée de fin de course.


 Dans certains pays/certaines régions, une double fixation est exigée pour les butées de fin de course. Si une vis de fixation supplémentaire est nécessaire, installez d'abord cette vis. Reportez-vous également à la section *Butée de fin de course, page 63*.
4. Placez le chariot du lève-personne niveau de la cavité ronde de 32 mm de diamètre sur le rail.

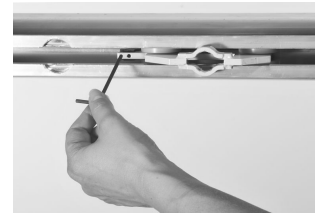


5. Soulevez le lève-personne et poussez la broche de suspension à travers l'ouverture du chariot.




6. Faites pivoter le lève-personne de 90 degrés pour le fixer dans le chariot.
7. Connectez la télécommande.
8. Réglez la longueur du cordon d'abaissement/arrêt d'urgence pour qu'il soit à la portée de l'utilisateur.

 En cas de résistance excessive, ou si le chariot roule de façon intempestive du fait d'un déséquilibre des suspensions du rail, ajustez le frein à friction avec une clé Allen de 4 mm.



3.11.2 Installation du lève-personne Robin® Mover

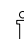
Le chariot est intégré au lève-personne et sa pré-installation dans le rail est par conséquent inutile.

 Outils : clé Allen de 4 mm/clé à douille de 17 mm

1. Retirez la butée de fin de course.




2. Insérez les roulettes du lève-personne dans le rail.

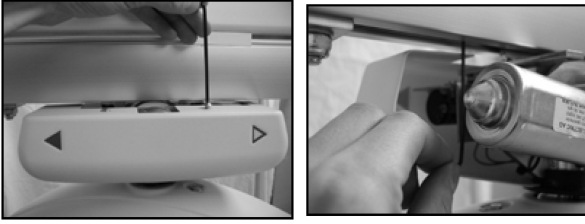
 L'orientation du lève-personne n'a aucune importance pour l'installation.



3. Installez la butée de fin de course.

 Serrez le boulon à 30 Nm.

4. Si la résistance est trop forte lorsque vous tirez le lève-personne ou si celui-ci se déplace de façon inopinée, réglez le frein à friction.



5. Connectez la télécommande.
6. Réglez la longueur du cordon d'abaissement/arrêt d'urgence pour qu'il soit à la portée de l'utilisateur.

3.12 Inspection/contrôle du système de rails



ATTENTION !

Après son installation, le système de rails doit être contrôlé dans son intégralité.

- L'inspection d'un système de rails doit exclusivement être effectuée par une personne dûment qualifiée.
- L'inspection doit être conforme à la procédure *Liste d'inspections de sécurité/Système de rails* décrite dans le manuel de maintenance du Invacare® Robin®.

Conformément à la norme européenne EN 10535, le système doit subir un essai sous contrainte à 300 kg, et ce au niveau de chaque point de fixation. Cet essai est exécuté au titre d'un nouvel essai de la capacité des structures du système à garantir la fixation correcte du système de rails.

4 Caractéristiques Techniques

4.1 Système de rails

Tous les rails profilés ont été fabriqués en aluminium extrudé.

Les rails sont disponibles avec un revêtement par pulvérisation blanc.

Les rails sont disponibles en trois hauteurs différentes : S= 68 mm, M=114 mm et L=183 mm, assurant respectivement une portée libre de 2 m, 4 m et 8 m.

La largeur du profilé est de 58 mm pour les trois profilés. Le haut des profilés est formé de façon à permettre le raccordement des rails aux supports d'installation.

À la livraison, le rail du lève-personne présente une rainure au fond. Cette rainure, qui s'utilise pour l'installation du lève-personne, est ce que l'on appelle le « trou de serrure ».

Installations possibles

Le **monorail** peut être installé au plafond ou au mur et au plancher. La position du rail dans la pièce peut être soit parallèle au mur, soit en angle par rapport au mur.

Le **système de traverses** peut être installé au plafond ou au mur et au plancher. La portée libre entre les deux rails parallèles peut aller jusqu'à 8 000 m.

Les **coudes** sont disponibles dans le profilé en S et peuvent être installés au plafond. Ils existent en angles de 30°, 45°, 60° et 90°.

Solutions spéciales

L'**installation avec supports en suspension** s'utilise dans les cas suivants : lorsque la hauteur du plafond varie dans le sens longitudinal du rail, ou lorsque le rail doit être fraisé.

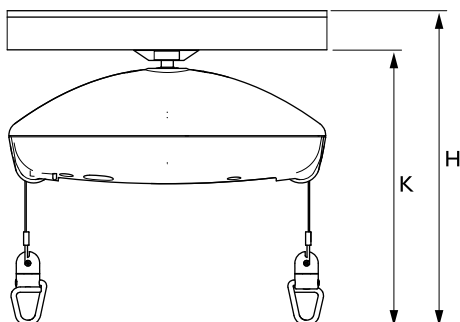
L'**installation angulaire** s'utilise lorsque le rail doit être installé à d'autres angles que 90°.

4.2 Dimensions des différentes installations de systèmes de rails

Les dimensions d'une installation sont définies par la distance entre le dessous du plafond et les crochets du lève-personne.

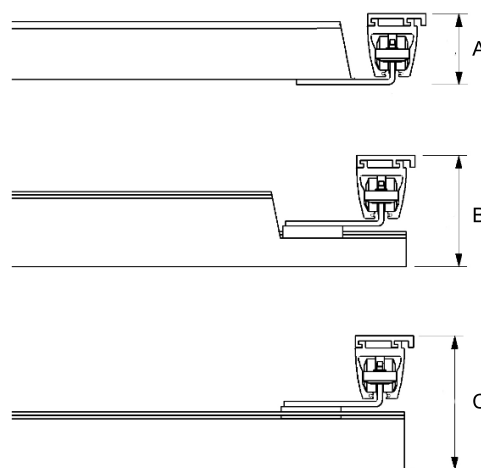
Hauteur pour un système monorail

Pour le système EC-Track et le lève-personne sur rail Robin, les dimensions pour l'encastrement, mesurées depuis le plafond avec le rail monté aussi près que possible du plafond, sont les suivantes :



		Robin	Robin Mover
K	Mesuré de dessous le rail jusqu'au crochet de la sangle	336 mm	396 mm
H	Rail profilé en S monté au plafond	410 mm	470 mm
	Rail profilé en M avec fixation murale/au sol	450 mm	510 mm
	Rail profilé en L avec fixation murale/au sol	519 mm	579 mm

Hauteur du système de rails de traverse



A = Rail de traverse à suspension intermédiaire

B = Rail de traverse à suspension intermédiaire partielle

C = Rail de traverse suspendu par le dessous

Combinaisons possibles

Rail de traverse	Rail parallèle	A	B	C
Profilé en S	Profilé en S	83 mm	—	156 mm
Profilé en M	Profilé en S	—	156 mm	203 mm
	Profilé en M	129 mm	203 mm	250 mm
Profilé en L	Profilé en S	—	—	272 mm
	Profilé en M	—	—	319 mm
	Profilé en L	198 mm	272 mm	388 mm

Innholdsfortegnelse

FORHANDLERE: Behold denne håndboken. Prosedyrene i denne håndboken MÅ utføres av en kvalifisert tekniker.

1 Generell informasjon	84
1.1 Om denne håndboken	84
1.2 Generell sikkerhet	84
1.3 Garantiopplysninger	84
2 Skinnesystem	85
2.1 Enkeltskinnesystem	85
2.2 System for sidelengs flytting	86
2.3 Forflytning mellom rom	87
2.4 Skinner, braketter og tilbehør	88
3 Montering	94
3.1 Generelle instruksjoner for montering	94
3.2 Takmonteringssystem	94
3.2.1 Betongtak	94
3.2.2 Betongtak med nedhengt tak	95
3.2.3 Tretak	97
3.3 Veggmontering – endeopphengt skinne	98
3.3.1 Skinneprofil M og L:	98
3.4 Veggmontering – sideopphengt brakett eller side/ende-opphengt brakett	99
3.5 Buer	99
3.6 Skinnesammenkobling	100
3.6.1 Skinnekobling for profil M og L	100
3.6.2 Skinnekobling for profil S	100
3.7 Veggstøtteben	100
3.8 Montere systemet for sidelengs flytting	101
3.9 Montere sporvekslere	102
3.10 Transittkobling	102
3.10.1 Justere hullet i veggen/døråpningen	102
3.10.2 Montere transittkoblingen	103
3.10.3 Montere og koble til kontrollknappen og strømforsyningen	104
3.10.4 Installere et system for sidelengs flytting med låsfeste for transittkobling	104
3.10.5 Montere en enkeltskinne for et koblingssystem	104
3.10.6 Montere posisjoneringsfester på parallellskinne med S-profil og M/L-profil	104
3.11 Montere den takmonterte løfteren til skinnesystemet	105
3.11.1 Montere Robin®	105
3.11.2 Montere Robin® Mover	106
3.12 Inspeksjon/kontroll av skinnesystemet	106
4 Tekniske Data	108
4.1 Skinnesystemet	108
4.2 Dimensjoner for ulike spormontering	108

1 Generell informasjon

1.1 Om denne håndboken

Denne installasjonshåndboken er ment som en instruksjon ved planlegging og gjennomføring av monteringen. Les håndboken nøye og følg sikkerhetsinstruksjonene i den, slik at du kan håndtere produktet på en trygg måte.

Bestillings- og brukerinformasjon finner du i bruksanvisningen. Finn bruksanvisningen på Invacares hjemmeside eller kontakt din Invacare-representant (se adresser bakerst i denne håndboken).

Symboler i denne håndboken

Fareadvarslene i denne håndboken er angitt med symboler. Symbolene ledsages av et kjennetegnord som angir risikoenes alvorlighetsgrad.



ADVARSEL

Angir en farlig situasjon som kan føre til alvorlig personskade eller død dersom den ikke unngås.



FORSIKTIG

Angir en farlig situasjon som kan føre til lettere skade dersom den ikke unngås.



VIKTIG

Angir en farlig situasjon som kan føre til skade på utstyr hvis den ikke unngås.



Tips og anbefalinger

Gir nyttige tips, anbefalinger og opplysninger når det gjelder effektiv og problemfri bruk.



Opggir informasjon om de påkrevde verktøyene.



Dette produktet er CE-merket i samsvar med forskrift 2017/745 om medisinsk utstyr klasse 1. Lanseringsdatoen for dette produktet er oppgitt i CE-samsvarserklæringen.

1.2 Generell sikkerhet



ADVARSEL!

Sikkerhetsregler før montering

- All montering må være i samsvar med nasjonale regler og standarder.
- Bruk bare godkjente monteringskomponenter.
- Ved hvert opphengningspunkt må yttertak/tak-konstruksjonen kunne tåle en statisk belastning på minst 300 kg.
- Før du monterer et skinnesystem, må taket, veggene og gulvet undersøkes nøye. Fastslå de eksakte materialene som inngår i tak og vegger. Denne undersøkelsen må bare utføres av kvalifiserte personer.
- Skinnesystemet skal kun monteres av kvalifiserte personer.

Stresstest

I henhold til den europeiske standarden EN 10535 skal systemet stresstestes med 300 kg. Dette må gjøres ved hvert festepunkt. Denne testen skal utføres som en testing av underlagets evne til å holde skinnesystemet på plass. Denne testen må bare utføres av kvalifiserte personer.

1.3 Garantiopplysninger

Garantivilkårene er inkludert i de generelle vilkårene som gjelder i hvert land hvor dette produktet markedsføres.

Kontaktopplysninger for ditt lokale Invacare-kontor er angitt på nest bakerste side av denne bruksanvisningen.

2 Skinnesystem

2.1 Enkeltskinnesystem

En enkeltskinnesystem er egnet i tilfeller der løfting utføres på bestemte eller begrensede steder (f.eks. under sporet).

En enkeltskinnesystem består av én rett skinne. Denne skinne kan monteres parallelt med veggene eller diagonalt i rommet.

Skinnesystemet kan eventuelt utvides med buer med vinkler på 30°, 45°, 60° og 90°.

Skinnesystemet kan monteres på veggen eller i taket.

Med et enkeltskinnesystem er det mulig å skjule installasjonen i taket slik at bare åpningen av skinne er synlig.

2.2 System for sidelengs flytting

Et system for sidelengs flytting er egnet for tilfeller der et ubegrenset antall løftesteder kreves i rommet.

Et system for sidelengs flytting består av to parallellskinner montert i taket eller på veggen. I hver parallellskinne settes en løpekatt for sidelengs flytting. Denne kan bevege seg langs hele lengden til parallellskinnene, fra endestopper til endestopper.

På tvers av parallellskinnene monteres en traversskinne til de to løpekattene for sidelengs flytting. Denne monteringen kan utføres på forskjellige måter, som vist på illustrasjonene nedenfor. Med en løfterløpekatt satt inn i traversskinnen kan løfteren bevege seg langs hele lengden til traversskinnen.

Systemet tillater et ubegrenset antall løftesteder, siden systemet for sidelengs flytting dekker hele rommet.

Kombinasjoner av systemer for sidelengs flytting

Skinner	Kombinasjon	Mulige kombinasjoner
Parallell: S-profil Sidelengs flytting: S-profil	Hengt opp under, sidelengs flytting: Hengt opp imellom, sidelengs flytting:	
Parallell: S-profil Sidelengs flytting: M-profil	Hengt opp under, sidelengs flytting: Hengt opp delvis imellom, sidelengs flytting:	
Parallell: S-profil Sidelengs flytting: L-profil	Hengt opp under, sidelengs flytting:	
Parallell: M-profil Sidelengs flytting: M-profil	Hengt opp under, sidelengs flytting: Hengt opp imellom, sidelengs flytting: Hengt opp delvis imellom, sidelengs flytting:	
Parallell: M-profil Sidelengs flytting: L-profil	Hengt opp under, sidelengs flytting:	

Skinner	Kombinasjon	Mulige kombinasjoner
Parallell: L-profil Sidelengs flytting: L-profil	Hengt opp under, sidelengs flytting: Hengt opp imellom, sidelengs flytting: Hengt opp delvis imellom, sidelengs flytting:	

2.3 Forflytning mellom rom

Forflytning mellom rom med to løftere

Forflytning mellom rom kan utføres ved hjelp av to Robin-løftere, én i hvert rom. For å lette denne operasjonen brukes en Invacare-løpekatt for montering fra rom til rom.

Forflytning mellom rom er mulig i både enkeltinstallasjoner og romdekkende installasjoner. Det er viktig at skinnene plasseres så nær døråpningen som mulig. Ved montering av et romdekkende skinnesystem beregnet på forflytning mellom rom, må traversskinnen monteres vinkelrett på veggen med døråpningen. Avstanden mellom de to endestopperbufferne må ikke overstige 600 mm. For å oppnå best mulig resultat under forflytning mellom rom må det være en minimumsavstand på 1,85 m mellom

gulvet og løfterens underside. Dette må tas i betraktning under montering av skinnesystemet.

Forflytning mellom rom med transitt (transittkobling)

Som et alternativ kan forflytning mellom rom oppnås med en montert transittkobling.

Koblingen kan brukes til å sammenkoble enten to systemer for sidelengs flytting eller ett system for sidelengs flytting og ett enkeltskinnesystem.

Koblingen drives elektrisk med en kontrollknapp montert på veggen. Koblingen leveres med en standardlengde på 800 mm.

Ytterligere informasjon finner du i kapitlene 2.4 *Skinner, braketter og tilbehør*, side 88 og 3.10 *Transittkobling*, side 102

2.4 Skinner, braketter og tilbehør

Skinneprofilene S, M og L

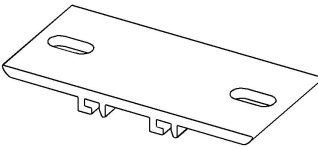
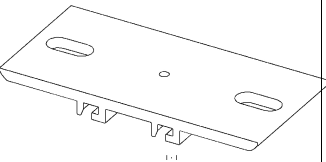
Type		Beskrivelse	Info
Skinneprofil S		Maksimumslengde = 7,8 m Maksimal spennvidde uten støtte: 2 m	farge: hvit
Skinneprofil M		Maksimumslengde = 7,8 m Maksimal spennvidde uten støtte: 4 m	
Skinneprofil L		Maksimumslengde = 7,8 m Maksimal spennvidde uten støtte: 8 m	

Buer 30°, 45°, 60°, 90°

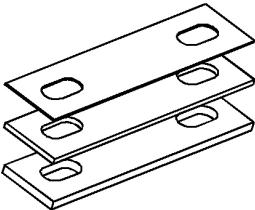
Type		Beskrivelse	Info
Bue 30°		Skinneprofil S med bue på 30° og 2 x 200 mm rett skinne	Alle buer har en radius på 400 mm. Alle buer leveres som høyre- eller venstrevendte buer. Mer informasjon om høyre- og venstrevending finner du i kapittel 3.5 <i>Buer</i> , side 99
Bue 45°		Skinneprofil S med bue på 45° og 2 x 200 mm rett skinne	
Bue 60°		Skinneprofil S med bue på 60° og 2 x 200 mm rett skinne	
Bue 90°		Skinneprofil S med bue på 90° og 2 x 600 mm rett skinne	

Takbraketter

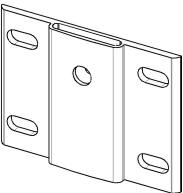
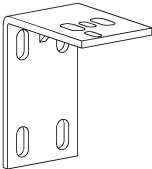
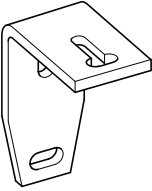
Type		Beskrivelse	Info
Takbraketter, hurtige		Takbraketter med skjulte festedeler. Til bruk for takmontering av enkeltskinnesystemer og systemer for sidelengs flytting. Størrelser (B x D x H): <ul style="list-style-type: none"> • 30 x 68 x 14 mm (for buer) • 70 x 68 x 14 mm (for vanlig opphenging i tak) • 120 x 68 x 14 mm (for skinnekobling) 	Montering: Se kapittel 3.2 <i>Takmonteringssystem</i> , side 94.
Takbraketter, hurtige, traverse		Braketter for systemer for sidelengs flytting og sideopphengt veggmontering Braketten monteres under løpekatten for sidelengs flytting, på den underopphengte og delvis mellomopphengte traversmonteringen.	

Type		Beskrivelse	Info
Takbraketter, standard		Takbraketter med synlige festedeler Til bruk for takmontering av enkeltskinnesystemer og systemer for sidelengs flytting. Størrelser (B x D x H): <ul style="list-style-type: none"> • 30 x 146 x 14 mm (for buer) • 70 x 146 x 14 mm (for vanlig opphenging i tak) • 120 x 146 x 14 mm (for skinnekobling) 	
Standard takbrakett med lås		Takbrakett med låseskrue med dimensjonene 70 x 146. Brukes for takmontering, med min 1 per rett skinne. Dette sikrer at skinnen ikke forskyves etter montering. Størrelser (B x D x H): <ul style="list-style-type: none"> • 70 x 146 x 14 mm 	

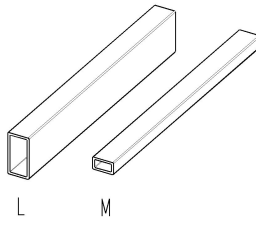
Mellomlegg

Type		Beskrivelse	Info
Mellomlegg for standard takbrakett		Tilgjengelig for takbraketter i 30, 70, 120 mm bredde. Høyde: <ul style="list-style-type: none"> • 1 mm • 3 mm • 5 mm 	Mellomlegg skal brukes i installasjoner for å kompensere for eventuelle forskjeller i høyde i yttertak/tak-strukturen

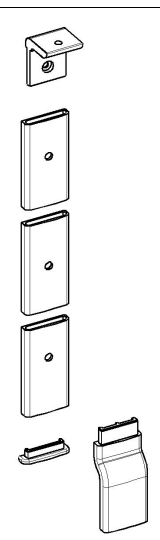
Veggbraketter

Type		Beskrivelse	Info
Veggbrakett, endeopphengt		Skal brukes ved montering av spor til en vegg. De kan brukes når veggene har tilstrekkelig høy bæreevne, ved montering rett og diagonalt til en vegg. Skal brukes med innføringsrør og konsoll.	Montering: Se kapittel 3.3 <i>Veggmontering – endeopphengt skinne</i> , side 98.
Veggbraketter, sideopphengt		Skal brukes ved montering av spor i sideopphengt installasjon. Kan brukes hvis veggen er sterk nok.	Montering: Se kapittel 3.4 <i>Veggmontering – sideopphengt brakett eller side/ende-opphengt brakett</i> , side 99
Veggbrakett, side- og endeopphengt		Skal brukes ved montering av spor for sideopphenging eller endeopphenging. Kan brukes hvis veggen er sterk nok.	Montering: Se kapittel 3.4 <i>Veggmontering – sideopphengt brakett eller side/ende-opphengt brakett</i> , side 99

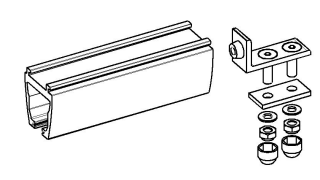
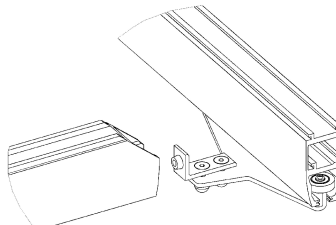
Innføringsrør

Type		Beskrivelse	Info
Innføringsrør for skinnprofil M eller L		<p>Skal brukes ved montering av skinner endeopphengt til en vegg, ved kobling av to skinner eller ved montering av skinner diagonalt i et rom.</p> <ul style="list-style-type: none"> Innføringsrør for skinnprofil M: Lengde 800 mm. Innføringsrør for skinnprofil L: Lengde 1 m. 	Innføringsrør leveres avhengig av den spesifikke monteringsscenarioet.

Veggstøtteben, konsoll og veggstøttefot

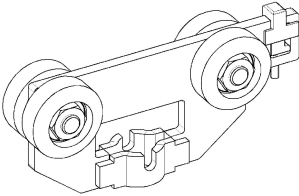
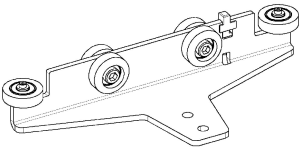
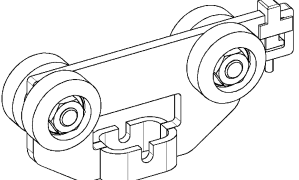
Type		Beskrivelse	Info
Veggstøtteben		<p>Skal brukes dersom veggen ikke har tilstrekkelig bæreevne ved montering av skinnen til veggen. Kan brukes for monoskinnesystemer samt systemer for sidelengs flytting.</p> <p>Benlengde: 2,6 m / 3 m</p>	<p>Montering: Se kapittel 3.7 <i>Veggstøtteben</i>, side 100</p>
Veggstøttekonsoll		<p>Konsollen brukes også sammen med endeopphengt veggbrakett ved montering rett eller diagonalt.</p>	
Veggstøttefot		<p>Lav fot for rom uten gulvlist</p> <p>Høy fot for rom med gulvlist langs gulvet</p>	

Endestopper

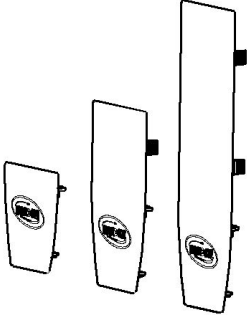
Type		Beskrivelse	Info
Endestopper		<p>Endestopperen monteres på alle skinneutganger, noe som sikrer at løpekattene ikke forlater skinnesystemet.</p> <p>Når endestopperen er montert, skal gummipluggen vende mot løpekatten.</p>	
endestopper for traversskinne		<p>Når systemet for sidelengs flytting er hengt opp imellom, skal traversskinnens endestopper monteres i løpekatten for sidelengs flytting.</p> <p>Når skinnene er montert på en vegg, skal endestopperen plasseres så langt inn i skinnen at løfteren ikke treffer veggen</p>	

- i** I noen land / lokale områder er det påkrevd å dobbeltsikre endestopperne. En slik ekstra sikring kan oppnås ved å installere ett av følgende:
- M5 x 16 mm gjengeskruer (f.eks. Bufab/Swebolt MRX eller tilsvarende), 10 mm fra hver ende av skinnen, 25 mm fra skinnens underside (skruen kan monteres i et forhåndsbolet hull på \varnothing 4,3 mm).
 - \varnothing 6,3 x 22 mm gjengeskruer (f.eks. Bufab/Swebolt R6B eller tilsvarende), 10 mm fra hver ende av skinnen, 18 mm fra skinnens underside.

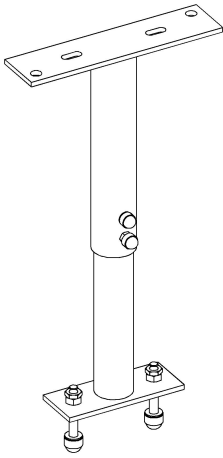
Løpekatter

Type		Beskrivelse	Info
Løfterløpekatt		Løfterløpekatten brukes for individuelle monoskinnesystemer samt systemer for sidelengs flytting. Løfterløpekatten brukes når en takmontert Robin-løfter skal monteres i sporsystemet.	
Løpekatt for sidelengs flytting		Løpekatten for sidelengs flytting brukes når du monterer et system for sidelengs flytting. For et system for sidelengs flytting brukes alltid 2 løpekatter for sidelengs flytting.	
Løpekatt for montering fra rom til rom		Løpekatten for montering fra rom til rom brukes når flytting fra ett rom til et annet er nødvendig, vanligvis gjennom en døråpning.	

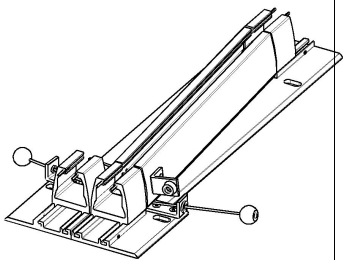
Skinneendeplugger

Type		Beskrivelse	Info
Skinneendeplogg S, M og L		Skinneendeplugger leveres for skinneprofiler i 3 størrelser. Farge: hvit. Til bruk ved avstenging av begge ender av alle skinner. Montering: Trykk inn i skinneprofilen når skinnesystemet har blitt montert.	

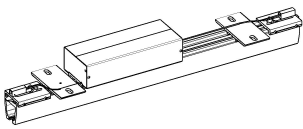
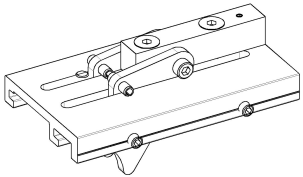
Pendler

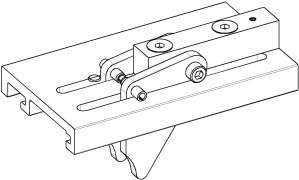
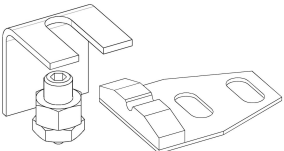
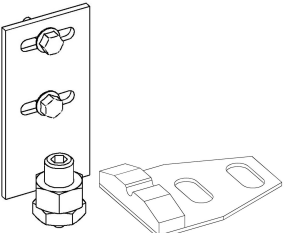
Type		Beskrivelse	Info
Pendler, regulerbare		<p>Pendler anvendes hvis det er behov for å montere et skinneresystem som er lavere enn det opprinnelige taknivået. Kan brukes ved skjult montering, såvel som for synlige installasjoner.</p> <p>Størrelser (justerbar lengde):</p> <ul style="list-style-type: none"> • 200–300 mm • 280–460 mm • 440–740 mm 	<p>Montering: Se 3.2.2 <i>Betongtak med nedhengt tak</i>, side 95.</p>

Sporveksler

Type		Beskrivelse	Info
Sporveksler, manuell		<p>Sporveksleren betjenes manuelt og monteres med en standard takbrakett. Sporbryteren brukes i kombinasjon med et takmontert enkeltskinneresystem med S-profil, der en retningsendring er påkrevd under forflytning av pasienten.</p>	<p>Montering: Se kapittel 3.9 <i>Montere sporvekslere</i>, side 102</p>

Transittkobling

Type		Beskrivelse	Info
Transittkobling		<p>Transittkoblingen drives elektrisk og monteres med pendler i taket på begge sider av veggen. Lengde: 800 mm.</p> <p>Koblingen brukes til å flytte en pasient fra et rom til et annet</p> <ul style="list-style-type: none"> • i systemer for sidelengs flytting med S-, M- og L-skiner • i et enkeltskinneresystem med bare S-profilskinner 	<p>Kontrollknapp (for vegg) og en transformator medfølger ved levering.</p> <p>Montering: Se kapittel 3.6 <i>Skinnesammenkobling</i>, side 100</p>
Låsfeste for traversprofil S		<p>For montering på traversprofilen i enden som er sammenkoblet. Monteres for å sikre at traversskinnen og koblingen er låst og riktig tilkoblet før romforflytningen kan gjennomføres.</p>	

Type		Beskrivelse	Info
Låsfeste for traversprofil M/L		<p>For montering på traversprofilen i enden som er sammenkoblet. Monteres for å sikre at traversskinnen og koblingen er låst og riktig tilkoblet før romforflytningen kan gjennomføres.</p>	
Posisjonere fester for parallellskinne med S-profil		<p>Til montering på parallellskinnen i nærheten av koblingen, for å posisjonere traversskinnen riktig i forhold til koblingen.</p>	
Posisjonere fester for parallellskinne med M/L-profil		<p>Til montering på parallellskinnen i nærheten av koblingen, for å posisjonere traversskinnen riktig i forhold til koblingen.</p>	

3 Montering

3.1 Generelle instruksjoner for montering

Før du monterer et skinnesystem, er det avgjørende å foreta en omhyggelig og nøyaktig måling av rommet. Det er like viktig å fastslå tilstanden til taket, veggene og gulvet for å avgjøre om skinnene skal monteres i taket eller på veggene. Deretter må du bestemme hvor mange løftsteder det er nødvendig med i rommet.

Ved angivelse av løftsteder er en individuell vurdering påkrevd, der det tas hensyn til legemsbygningen til den enkelte brukeren og antallet sykepleiere.

Følgende plassering av vanlige løftsteder kan benyttes som en anbefalt retningslinje:

Seng	1 m fra innsiden av sengens hodeende
Toalett	150 mm fra forkanten
Badekar	1/3 oppover (sittende stilling), ½ oppover (tilbakeleant stilling)
Stellebord	1 m fra bordets hodeende

Ved måling for det valgte skinnesystemet må du ta hensyn til en egnet parkeringsplass for løfteren når den ikke er i bruk. En egnet plassering kan være i nærheten av en vegg, der løfterladeren monteres på veggen.

Kontroller den tilpassede skinnen, samt brakettene og annet tilbehør mot tegningen.

Kontroller at eventuelle utstikkende partier og metallspen er fjernet fra skinnene, for å forhindre at dette rusket blir sittende fast i løpekattjulene og produserer støy samt uberegnelig drift.

Ved enkeltskinner og buede skinner som trenger sammenkobling, bruker du de medfølgende låsepinnene.

1. Skyv låsepinnen halvveis inn i én skinne. Det bores hull til \varnothing 3,2mm i skinnen som den tidligere nevnte skinnen skal kobles til. Deretter settes den neste skinnen inn over låsepinnene.
2. Skyv den neste skinnen inn i de fremskytende pinnene. Ikke bor ytterligere hull i den første skinnen.
3. Monter braketten for skinnesammenkobling.

Når du installerer et system for sidelengs flytting der parallellskinnene går fra vegg til vegg, må minsteavstanden fra skinnen til veggen være 60 mm. Sett løpekatten for sidelengs flytting og skinneendestopperen i parallellskinnene før montering. Hvis ikke må parallellskinnene ende min 350 mm fra veggen for å tillate etterfølgende montering av løpekatten.

Ved montering av et monoskinnesystem eller en traversskinne i et system for sidelengs flytting er det viktig at skinnen i den ene enden ender min 160 mm fra veggen for å tillate påfølgende montering av løfterløpekatten.

Ved sekundær montering av Robin Mover må avstanden være minimum 300 mm.

Ved montering av skinner med braketter direkte i taket må du sørge for at taket er jevnt og vannrett. (Mellomlegg med henholdsvis 1 mm, 3 mm og 5 mm i tykkelse, kan brukes til å jevne ut eventuelle ujevnheter.)

Nøkkelhull for monteringspunktet

Ethvert EC-Track-system må klargjøres med et monteringspunkt for løfteren.

Dette monteringspunktet vises som en 32 mm riflet fordypning på bunnen av skinnen, der løfteren skal monteres. Denne riflede fordypningen kalles nøkkelhull.

Ved montering av skinnesystemet er det avgjørende at dette monteringspunktet plasseres i samsvar med instruksjonene nedenfor.

1. Generelt må nøkkelhullet alltid være plassert så nær enden av en skinne som mulig. Det må imidlertid være minst 250 mm unna skinneenden.
2. Hvis skinnen går fra vegg til vegg, må det plasseres min 400 mm vekk fra skinneprofilenden.
3. Hvis et system for sidelengs flytting monteres, må nøkkelhullet plasseres så nær som mulig på tvers av skinnens ende. Det må imidlertid være minst 250 mm unna skinneenden. Dersom traversskinnen fortsetter helt ut til veggene, må den plasseres min 400 mm fra skinnens ende.

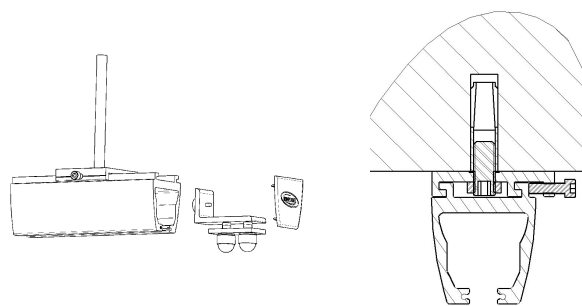
3.2 Takmonteringssystem

3.2.1 Betongtak

Ved henvisning til montering i betongtak skiller vi mellom massiv betong (fabrikkstøpte betongelementer, forspente betongflater, armert betong) og hule overflater.

Montere med hurtigtakbrakett


Når du bruker hurtigtakfester, må alle takfestene monteres i taket. Deretter kan skinnen monteres i disse. Minst 3 takfester må brukes per skinne. Det må i tillegg være maks 700 mm mellom hvert feste. Det må være maks 200 mm fra enden av skinnen til det første festet.



Mål opp for alle festene på samme tid. Det er viktig at de borede hullene ligger på en rett linje. Den nøyaktige merkingen for hullene må utføres ved hjelp av laserteknikk, krittlinje osv.

Slik monterer du i massiv betong og hule overflater:

1. Bor hull med en 15 mm slagbor til en dybde på 54 mm. Blås hullene rene.
2. Sett M12-slagankere i huller (f.eks. Hilti HKD-S M12 eller tilsvarende).
Ved bruk av et justeringsverktøy (f.eks. Hilti HSD-G M12x50 eller tilsvarende) blir ankeret korrekt festet i betongen.
3. Monter hurtigfestet ved å skru den forhåndsmonterte gjengestangen i slagankeret.
Det er viktig at et klebemiddel brukes på et feste og en mutter når gjengestangen monteres til festet.

 For å sikre oppnåelse av maks styrke må gjengestangen skrues min 14 mm inn i ankeret.

Ved bruk av et slaganker sammen med hurtigbraketten er optimal nøyaktighet et krav. Som et alternativ kan heftmørtel bestående av to komponenter for betong anbefales.

Når alle fester er montert, skyver du løfterløpekatten inn i skinnen. Løfterløpekatten kan vende begge veier. Dersom løpekatten for sidelengs flytting skal monteres inne i skinnen, er det viktig at dette vender i riktig retning i forbindelse med følgende montering av traversskinnen.

Endestopperne monteres i begge ender av skinnen. Endestopperen skyves inn i skinnen med gummipluggen først, og festes først løst med fingrene.

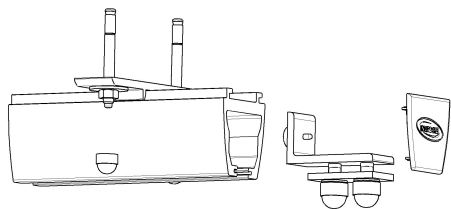
Løft opp skinnen, juster dens lengde og fest den i alle takfester.


Plasser de justerbare endestopperne korrekt og stram til passende. Det er viktig at endestopperen plasseres slik at løfteren ikke treffer veggen.

For parallelle skinner i et system for sidelengs flytting er det viktig at endestopperen plasseres slik at løpekattene for sidelengs flytting treffer endestopperen på samme tid.


Montere med standard takbrakett

Takbrakettene skyves på skinnen og fordeles med maks 2 m mellom hver brakett og 200 mm fra den siste braketten ved enden av skinnen. Bruk minst tre braketter per skinne. Det anbefales å bruke et ujevnt antall braketter hvis bare én person monterer skinnen. På denne måten plasseres én brakett på midten, noe som skaper balanse når skinnen henges opp i den første bolten.



 Minst i den ene enden av skinnen bruker en brakett med låseskrue for festing til skinnen.

1. Mål for hullet for den ene ekspansjonsbolten for senterbraketten.
Bor hullet til en dybde på ca. 80 mm med en 8 mm. slagbor. Hullet er dypere enn ekspansjonsboltens lengde for å forenkle demontering senere. For demontering kan du deretter føre bolten helt inn i stedet for å trekke den ut.
2. Før inn en ekspansjonsbolt M8 x 75 (f.eks. Hilti HSA eller tilsvarende), samtidig som du etterlater tilstrekkelig plass for brakettykkelsen (6 mm), låseskiven (2 mm) og mutteren (7 mm) pluss litt klaring. Når du har ført inn bolten, fjerner du mutteren og skiven.
3. Sett løfterløpekatten i skinnen. Løpekatten kan orienteres i begge retninger.
4. Hvis du monterer løpekatten for sidelengs flytting, må du sørge for at den er riktig orientert for påfølgende montering av traversskinnen.
5. Monter endestopperne i begge ender av skinnen. Sett de justerbare endestopperne inne i skinnen med gummipluggsiden først og stålplaten mot til undersiden av skinnen. Stram skruene med fingrene.
6. Løft skinnen på plass, monter skivene og mutterne, og stram dem lett. Juster skinnen på langs og dens vinkel, og stram mutteren.
7. Bor hullet for braketten i den ene enden av skinnen, men på motsatt side av skinnen. Før inn ekspansjonsbolten, foreta de siste justeringene og stram til.
Deretter borer du de resterende hullene i den ene enden av brakettsporet. Hvis slagboret treffer en armeringsstang før hullet er 50 mm dypt, borer du ganske enkelt i den andre enden av sporet. Hvis boret treffer armeringsstengene igjen, flytter du braketten ca. 20–25 mm langs skinnen. Braketten vil da dekke over de mislykkede hullene.

 Hvis hulldybden er på mellom 50–70 mm, bruker du forlengelsesbolt M8x57.

8. Før inn de resterende ekspansjonsboltene, plasser skivene og mutterne, og stram til.
9. Plasser de justerbare skinnestopperne på riktig måte og stram til. Sørg for å plassere endestopperne slik at løfteren ikke treffer veggen.
Ved montering av parallelle skinner i et system for sidelengs flytting må du sørge for å plassere endestopperne på nøyaktig samme punkter for å sikre at løpekattene for sidelengs flytting treffer endestopperne på samme tid.

3.2.2 Betongtak med nedhengt tak

For rom med nedhengte tak som er vanskelige å demontere, anbefales det å velge en løsning med veggmonterte eller veggstøttemonterte skinner.

Hvis det kunstige taket enkelt kan fjernes eller i tilfelle av en ny montering av et fast nedhengt tak, anbefaler vi montering med senkebraketter av estetiske grunner. For denne løsningen bruker du den laveste skinneprofilen S.

Montere med pendelbraketter

I tilfelle av takmontering kan det ofte være nødvendig å pendle skinnen nedover. Dette behovet kan oppstå ved montering i et rom med et nedhengt tak, der du må pendle mellom det opprinnelige taket og det nedhengte taket, eller hvis taket er så høyt at du må pendle skinnen

ned for å sikre at løfterens løfteintervaller brukes så godt som mulig.

Det er flere muligheter ved montering med pendler:

A – Pendling ved hjelp av gjengestenger og runde avstandsrør, skåret på stedet på monteringsstedet. Montering ved hjelp av denne metoden er beskrevet i detalj i denne delen.

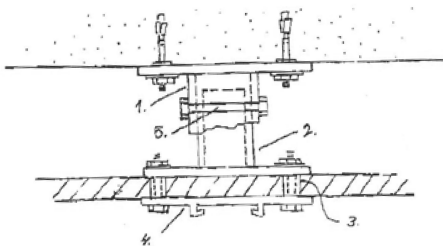
B – Montering ved hjelp av justerbare pendler. Denne pendelen består av en øvre og nedre del. Ved å skyve den øvre delen på utsiden av den nedre delen kan den justerbare pendelen dekke et gitt intervall. Som standard kan en pendel leveres med følgende intervaller:

- 200–300 mm
- 280–460 mm
- 440–740 mm

Når riktig pendelavstanden er fastsatt i forbindelse med montering, trekkes pendelen ut til denne lengden og festes med en skru. Deretter bores et hull hele veien gjennom til en M8 x 65 bolt for å låse pendelen i ønsket lengde.


Den øvre delen av pendelen skal monteres i taket som beskrevet i kapitlene 3.2.1 *Betongtak*, side 94 og 3.2.3 *Tretak*, side 97 som ved montering med standardbrakett.

Den nedre delen av pendelen skal festes til det endelige standardtakfestet, som vist i skissen nedenfor:



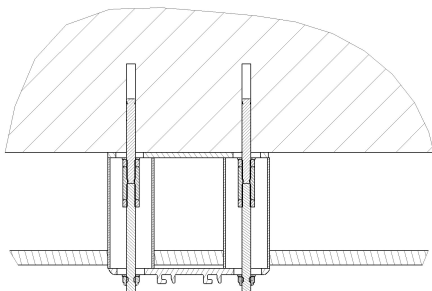
- 1. Pendel, øvre del
- 2. Pendel, nedre del
- 3. Avstandsrør gjennom nedhengt tak, Ø 15
- 4. Standard takbrakett
- 5. Gjennom låsebolt, M8 x 65

Pendelen kan også leveres med forhåndsbestemte mål. Unngå justering på stedet.

 Husk også å bestille takbraketter ved bestilling av pendel.

Avtagbart nedhengt tak

Ved et avtagbart nedhengt tak er rommet over det opphengte taket tilgjengelig, og pendelbraketter og skinne kan monteres på samme tid.




- Betongtak
- Ekspansjonsbolter M8 x 75, 2 stk.

- Balanseplate (stålplate for jevn monteringsoverflate), 1 stk. 3 mm
- M8-muttere, 4 stk.
- M8-koblingsmuttere, 2 stk. (innsamlingshylse)
- M8-låsemuttere, 2 stk.
- Aluminiumsrør Ø 40, 2 stk.
- Takbrakett (standard), 1 stk.
- Avtagbart nedhengt tak
- M8-gjengestenger, 2 stk.
- Låseskiver, 2 stk. 11 x 35 x 2.

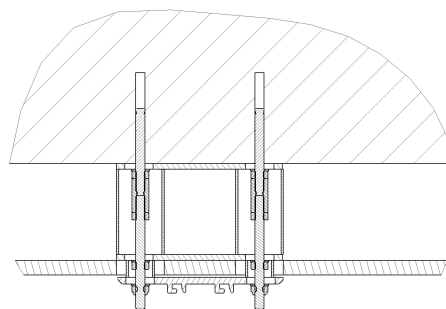
(Et HKD-anker kan brukes som et alternativ. Stengene festes direkte inn i denne).

1. For å få riktig lengde på pendelbrakettene bruker du avstanden mellom betongtaket og undersiden av det nedhengte taket som utgangspunkt. Denne avstanden brukes for å bestemme lengden på pendelbraketttrøret og gjengestangen. Deres lengde må være lik den tidligere målte avstanden som beskrives ovenfor.
2. Ved montering må du først montere balanseplaten for sentertakbraketten. For å gjøre dette følger du instruksjonene for montering direkte i et betongtak. I dette tilfellet er bores hullene imidlertid for begge ekspansjonsbolter samtidig.
3. Ved innføring av ekspansjonsbolter lar du ca. 15 mm stikke ut under mutteren, slik at du kan skru koblingsmutteren på den til dens halve lengde. Motstram koblingsmutteren mot ekspansjonsboltmutteren. Mål for hullet det nedhengte taket og bor/skjær dette hullet til Ø 40 mm.
4. Fest en M8-mutter på gjengestangen (ca. 20 mm på stangen) og skru stangen inn i koblingsmutteren til den treffer ekspansjonsbolten. Motstram mutteren.
5. Når du er ferdig, skyver du de to aluminiumsrørene inn i hullene og fester skinnen som beskrevet i de vanlige instruksjonene.

 Avstanden mellom det nedhengte taket og takbraketten må være min 1–5 mm for å forhindre skader på det kunstige taket.

Fast nedhengt tak

I tilfelle av et fast nedhengt tak utføres skinnemontering i to trinn. Senkebraketten må derfor festes sikkert uten støtte fra takbraketten.



- Betongtak
- Ekspansjonsbolter M8 x 75, 2 stk.
- Balanseplater, (stålplate for jevn monteringsoverflate), 2 stk. 3 mm
- M8-muttere, 6 stk.
- M8-koblingsmuttere, 2 stk.
- M8-låsemuttere, 2 stk.
- Aluminiumsrør Ø 40, 2 stk.
- Avstandsrør Ø 20 (eller muttere og skiver), 2 stk.
- Takbrakett (standard), 1 stk.

- Nedhengt tak
- M8-gjengestenger, 2 stk.
- Låseskiver, 2 stk.

(Et HKD-anker kan brukes som et alternativ. Stengene festes direkte inn i dette).

1. Kutt pendelbraketterrøret til en lengde som tilsvarer den målte avstanden mellom betongtaket og undersiden av det nedhengte taket minus 50 mm.
Denne lengden er passende for et dobbelt gipslag i taket og en ekstra klaring på 12 mm.
2. Kutt gjengestangen til en lengde som tilsvarer avstanden mellom betongtaket og undersiden av det nedhengte taket minus 10 mm.
3. Ved montering må du først montere toppbalanseplaten for skinnens senterbrakett. Monter balanseplaten som beskrevet i monteringsanvisningene for direkte montering i betongtak. I dette tilfellet må du imidlertid bore hull for begge ekspansjonsboltene på samme tid.
4. Ved innføring av ekspansjonsbolter lar du ca. 15 mm stikke ut under mutteren, slik at du kan skru koblingsmutteren på den til dens halve lengde. Motstram koblingsmutteren mot ekspansjonsboltmutteren.
5. Fest en mutter ca. 20 mm på gjengestangen og skru gjengestangen inn i koblingsmutteren til den berører ekspansjonsboltene. Motstram mutteren.
6. Fest bunnbalanseplaten og sikre den på plass med muttere.
 - ! Unngå malingen på den nederste delen av gjengestengene til monteringen er fullført.
7. Klargjør resten av monteringspunktene etter en omhyggelig og nøyaktig måling.
Første trinn i monteringen er nå fullført og bygging av det nedhengte taket kan fullføres.

I den endelige sammensetningen plasseres du avstandsørret i det nedhengte taket. Dette øret vil beskytte det nedhengte taket. Kutt avstandsørret til en lengde som skaper en avstand på 1–5 mm mellom undersiden av det nedhengte taket og den øvre siden av monteringsbraketten. I stedet for rør kan muttere og skiver brukes for å sikre den anbefalte avstanden.

3.2.3 Tretak

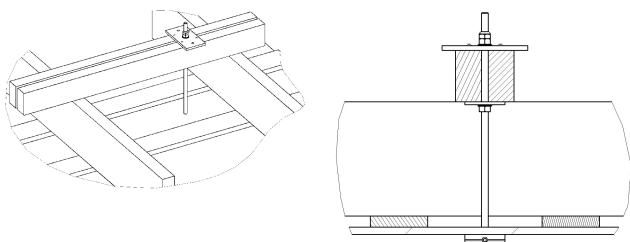


FORSIKTIG!

- Ikke monter skinner i et tretak med strekkskruer, for eksempel franske treskruer.
- Ikke monter skinner i et tretak med rene treskruer uten å ha foretatt en risikovurdering.

Hurtigbrakett

I noen tilfeller kan montering i et tak i tømmerutføring være et alternativ til montering på vegg eller veggstøtte.



Dette forutsatt at taket i tømmerutføring er tilgjengelige ovenfra. Ved montering i tak i tømmerutføring må

utskiftingsmateriale plasseres som forsterkning. Ved forsterking er det viktig å velge utskiftingstremmateriale som er dimensjonert for å tåle avstanden mellom to takbjelker, slik at tilstrekkelig bæreevne er oppnådd. Etter å ha merket opp til alle takbrakettene i taket må du undersøke om det er ledig plass over takmaterialet. Når dette er gjort, bores hull med en diameter på \varnothing 12,5 mm gjennom takmaterialet. Hullene kan nå lokaliseres ovenfra, de kan klargjøres for utskiftingsmateriale, og du kan måle hvor lange gjengestengene skal være. Utskiftingsmateriale må dekke minst to takbjelker på hver side av opphengingspunktet. Ved bruk av utskiftingsmateriale må to 45 x 95 mm utskiftingsdeler plasseres parallelt med hverandre, med en avstand på 14 mm, noe som danner en passasje for en M12-gjengestang. For å bestemme lengden av gjengestangen bestemmer du takbjelkens høyde + lengden av utskiftingstremmateriale + takmaterialet + 60 mm for skive og muttere.

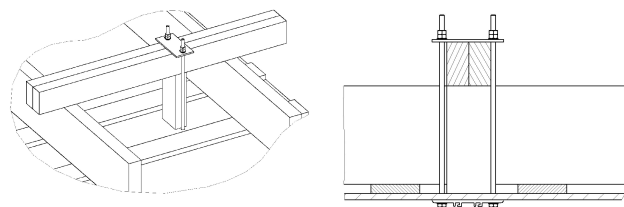
Plasser den tilpassede gjengestangen mellom utskiftingstremmateriale og sett inn en skive og mutter før du fører gjengestangen videre ned gjennom taket og posisjonerer den med en aluminiumsplate, en pakningssskive og mutter over utskiftingstremmateriale. Aluminiumsplatene skrues inn i utskiftingstremmateriale fra toppen. La ca. 25 mm gjengestang stikke fram nede under takmaterialet. En hurtigtakbrakett kan nå skrues på gjengestangen under takmaterialet. Takbraketten festes med en lav M12-mutter. Gjengestangen skal skrues helt inn i mutteren, men må stikke fram lenger ned enn under festet.

Ved montering av braketten og mutteren er det viktig å bruke klebemiddel på braketten samt mutteren. Når alle braketter er montert, løfter du opp skinnen, justerer lengden og fester den på en sikker måte. Før skinnen har blitt festet til taket (noe som gjøres fra takets overside), må det kontrolleres at utskiftingstremmateriale hviler på begge takbjelkene. Hvis ikke må noe plasseres imellom.

Mutteren over utskiftingstremmateriale festes nå forsiktig på en sikker måte til braketten er plassert jevnt med takmaterialet. Det er viktig ikke å stramme så mye at takmaterialet trekkes opp mellom takbjelkene. Når dette er gjort, legges en stålplate inn rundt gjengestangen under utskiftingstremmateriale, og mutteren festes oppover i stålplaten, noe som dermed låser stillingen.

Til slutt festes en låsemutter mot mutteren på oversiden av utskiftingstremmateriale. Løpekatte, endestopper og skinneendep lugger monteres som beskrevet i del 5.2.1.

Standardbrakett



- Gjengestenger M10, 2 stk.
- M10-muttere, 4 stk.
- Balanseplate, 1 stk.
- Tverrbjelker 45 x 90 x 1500 mm, 2 stk.
- Bjelkelag
- Under yttertak/tak
- Takbrakett, 1 stk.
- Låsemuttere M10, 2 stk.

- Skive, 2 stk. 11 x 35 x 2.

I noen tilfeller kan montering med gjennomgående skruer være et alternativ til vegg- eller veggstøttemontering.

Dette krever at takbjelkelaget kan nå ovenfra. Dette er ofte tilfellet i énetasjes hus. For å forsterke takbjelkelaget plasseres utskiftingsdelene på 45 x 95 mm sidelengs.

I stedet for ekspansjonsboltene brukes en M10-gjengestang av passende lengde. En monteringsplate (balanseplate) hviler på toppen av bjelkene.

Utskiftingsdelene må hvile på takbjelkene på begge sider av opphenget. Hvis dette ikke er mulig, må utskiftingsdelene festes godt for å forhindre dem fra å vippe når de utsettes for belastning.

Minimumsantallet trefestepunkter per skinne for betongtak gjelder ikke for trectak. Her er bestemmer den maksimale frie spennvidden antallet festepunkter.

Resten av monteringsprosessen er lik fremgangsmåten for betongtak. Det er imidlertid nødvendig å bore begge hullene for senterbraketter (standardbraketter på samme tid).

Skjær gjengestengene til riktig lengde og fest skivene og M10-låsemutterne.

Gjengestengene skrues inn nedenfra og opp gjennom balanseplaten. Balanseplaten festes til utskiftingsdelene ovenfra med spikere og skruer.

Før skinnen har blitt festet til taket (noe som gjøres fra takets overside, må du dobbeltsjekke at utskiftingstrematerialet hviler på to takbjelker. Hvis ikke må noe plasseres imellom.

Vær forsiktig når du strammer til mutterne for å hindre skade på det nedhengte taket.

3.3 Veggmontering – endeoppengt skinne

Følgende er kun anbefalinger. Alternativt kan ekspansjonsbolter med tilsvarende tykkelse og av tilsvarende kvalitet anvendes. Følg alltid anbefalingene fra leverandøren.

For fritt hengende montering kan enden av skinnene festes til veggen med veggbraketter eller veggstøtte. Velg veggstøtte hvis du er i tvil om bæreevnen til veggmaterialet. Når du monterer fritt hengende skinner, må maksimal skinnelengde overholdes, avhengig av valgt skinneprofil. Avstanden mellom veggene må være maks 2 m for skinneprofil S, 4 m for skinneprofil M og 8 m for skinneprofil L.

Hvis du trenger å montere eller demontere en løfterløpekatt etter montering, må avstanden fra den ene veggen til skinnen være minst 160 mm. Ved sekundær montering av Robin Mover må avstanden være minimum 300 mm. Hvis du trenger å montere eller demontere løpekatten for sidelengs flytting etter montering, må avstanden mellom den ene veggen og skinnen være minst 350 mm. (Minimumsavstanden fra skinne til vegg må alltid være 60 mm. Hvis du har en veggmontert skinneprofil S, kan du ikke montere eller demontere løpekatten etter montering.

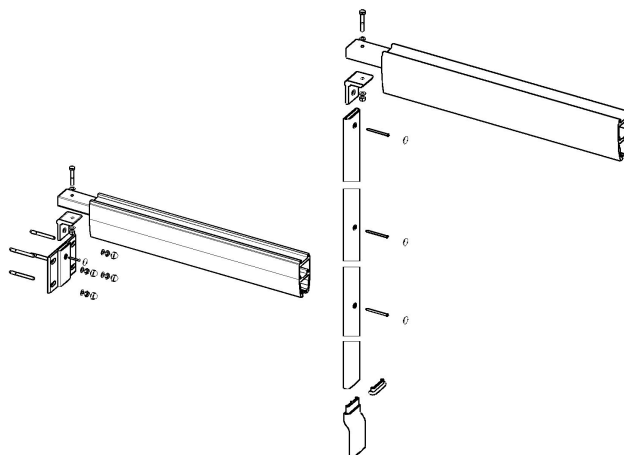
3.3.1 Skinneprofil M og L:

Ved montering av veggbraketter eller veggstøtten etterlater du en avstand fra taket til den øvre kanten av veggbraketten eller gulvstøtten. Avstanden må være minst:

- 80 mm for skinneprofil M
- 150 mm for skinneprofil L

Ved bruk av veggstøtten kutter du støttebenprofilen til en passende lengde i gulvenden.

 Husk å ta høyde for gulvstøttefoten.



I tilfelle av gulvlister bruker du enten den høye veggstøttefoten eller skjærer bort gulvlisten.

Monter alltid veggstøtten rett på veggen i deres fulle lengde.

Marker hullene med et vater og bor hullene.

Betongvegg

Ved montering av en fritt hengende skinne inne i en betongvegg må en veggbrakett brukes til montering.

For montering anbefaler vi å bruke enten ekspansjonsbolter M10 x 68 (f.eks. Hilti HSA eller tilsvarende) og boreddybde på min 60 mm, Ø 10, eller heftmørtel (f.eks. Hilti HIT-HY 150 og HAS M10 eller tilsvarende) og boreddybde på min 95 mm, Ø 12 (ved montering i våtrom bruker du rustfritt stål av HAS-kvalitet A4-70).

Murvegg

Ved montering i murstein må vanlige veggbraketter benyttes. Vi anbefaler imidlertid å bruke gulvstøtter hvis murveggen er svært porøs.

For montering i massiv murstein anbefaler vi å bruke heftmørtel (f.eks. Hilti HIT-HY 50 og HAS M10 eller tilsvarende), boreddybde på min 90 mm i ½ murstein og 170 mm i 1/1 murstein, Ø12 (ved montering i våtrom bruker du rustfritt stål av HAS-kvalitet A4-70).

For montering i hul murstein anbefaler vi å bruke enten en rammepluggforbindelse (f.eks. Hilti HRDUGT eller tilsvarende) og boreddybde på min 80 mm, Ø 10, eller heftmørtel (f.eks. Hilti HIT-HY 20, og HAS M10 eller tilsvarende) og boreddybde på min 95 mm, Ø 16.

For montering i porøse murverk anbefaler vi å bruke heftmørtel (f.eks. Hilti HIT-HY 50 og HAS M10 eller

tilsvarende), boreddybde på min 90 mm in ½ murstein og 170 mm in 1/1 murstein, Ø 12. Hvis veggstøtter brukes ved montering, bruker du HAS M8, boreddybde på min 80 mm, Ø 10.

Lettbetong

Ved montering i lettbetong kan du enten bruke veggbraketter eller veggstøtter, avhengig av veggens tilstand. For montering anbefaler vi å bruke heftmørtel (f.eks. Hilti HIT-HY 50 og HAS M10 eller tilsvarende) og boreddybde på min 90 mm, Ø 12 (M8 for montering av veggstøtter).

Du kan også bruke en pluggforbindelse for lettbetong (f.eks. Hilti HGN, HUD-1 10L eller tilsvarende), boreddybde på min 90 mm, Ø 10 / HUD-1 8L, boreddybde på min 80 mm, Ø 8.

Gipsvegg

Se også kapittel 3.7 *Veggstøtteben, side 100*

1. Fullfør monteringen av veggbraketten eller veggstøttebenet med konsoll, veggstøttefoten og pluggene for å dekke skruerhullene.
2. Sett løfterløpekatten eller løpekatten for sidelengs flytting i skinnen. Løfterløpekatten kan være orientert i begge retninger, mens orienteringen til løpekatten for sidelengs flytting må tilsvare oppsettet til systemet for sidelengs flytting.
3. Sett endestopperne i begge endene av skinnen og stram dem først ved hjelp av fingrene.
4. Sett innføringsrøret i skinnen. Hullet i røret må vende utover.
5. Løft skinnen samtidig som du holder fast i innføringsrøret, for å forhindre at det glir inn i skinnen.
6. Monter innføringsrøret på konsollen på veggbraketten eller veggstøttebenet.
7. Juster skinnen på langs for å oppnå riktig avstand mellom veggen og skinnen.
8. Det må være en overlapping på minst 300 mm mellom skinnen og innføringsrøret. Kontroller for å verifisere ved å se gjennom inspeksjonshullet på siden av skinnen. Inspeksjonshullet befinner seg eksakt 300 mm fra enden av skinnen.
9. Når skinnen er riktig plassert, borer du et hull på Ø 7 mm gjennom skinnen og innføringsrøret, ca. 100 mm fra enden av skinnen. Fest skinnen på plass med gjennomgående bolter M6 med låsemuttere.
10. Når du har plassert skinnen, justerer du endestopperen til den rette posisjonen. Ved plassering av endestopperen må du sørge for at løfteren ikke vil treffe veggen. Med et system for sidelengs flytting må du sikre at de to løpekattene for sidelengs flytting treffer endestopperen samtidig.

Vinklet, veggmontert

Skinnen kan monteres diagonalt i rommet. Skinnen kan maksimalt vinkles 45°.

Monteringen utføres som beskrevet for vanlig veggmontering med eller uten veggstøtter. Røret leveres imidlertid klargjort for vinklet montering.

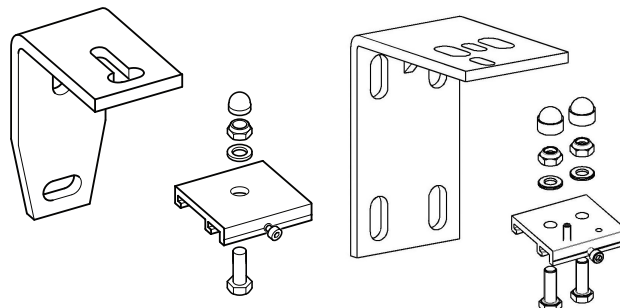
3.4 Veggmontering – sideopphengt brakett eller side/ende-opphengt brakett

Ved montering av et skinnesystem sideopphengt kan parallellskinnene monteres nær veggen.

Ved montering av et skinnesystem sideopphengt må veggen være såpass sterk at veggstøttebena er unødvendige.

Ved montering av S-profil er 2000 mm maksimalavstanden mellom hvert festepunkt, men minst 3 punkter er nødvendige.

Ved montering av M-profil er 4000 mm maksimalavstanden mellom hvert festepunkt, men minst 3 punkter er nødvendige.



Mål alltid avstanden mellom begge veggene nøyaktig samt i riktig høyde og plassering av systemet. Veggbraketten kan justeres med +/- 6mm. Hvis mer kreves, bruker du en plate på 6 mm mellom braketten og veggen.

i Det endelige utseendet påvirkes av parallelliteten mellom veggen og skinnen. Vær nøyaktig.

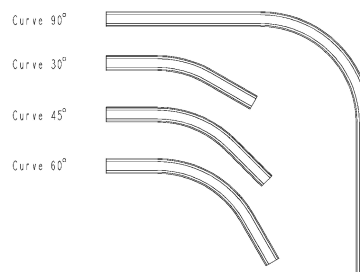
Målingene for systemet for sidelengs flytting her, er den målte romstørrelsen fratrukket 206 mm (hvis montert ved oppheng imellom) og fratrukket 62 mm (hvis montert ved oppheng under).

Også dette krever en nøyaktig måling samt noen vurderinger av justerbarhet på grunn av veggjevnheter.

Veggmontering avhenger av veggens struktur. Følg alltid anbefalingene i kapittel 3.3.1 *Skinneprofil M og L; side 98*. Etter montering av veggbraketter og de to parallellskinnene kan du følge instruksjonene i avsnitt 3.8 *Montere systemet for sidelengs flytting, side 101*

3.5 Buer

Følgende buer er tilgjengelige:

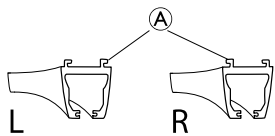


- Vinkel 30° 0,2 + 0,2 m rette ender
- Vinkel 45° 0,2 + 0,2 m rette ender
- Vinkel 60° 0,2 + 0,2 m rette ender
- Vinkel 90° 0,6 + 0,6 m rette ender

Alle buer har en radius på 400 mm.

Buene er tilgjengelige med høyrevendte bøy og venstrevendte bøy. Det er spesielt viktig å skille mellom

høyre og venstre buer når flere buer inngår i samme skinnesystem.



- Venstrebuer (L): Monteringskanaler Ⓐ vender utover fra buen.
- Høyrebue (R): Monteringskanaler Ⓐ vender innover og inn i buen.

Låsepinner og koblingsbraketter med låseskruer brukes til å koble buer med rette skinner.

Brakettposisjoner på buene

Vinkel 30° 0,2 + 0,2 m rette ender: En koblingsbrakett i begge ender hvis buen kobles til rette skinner.

Vinkel 45° 0,2 + 0,2 m rette ender: En koblingsbrakett i begge ender hvis buen kobles til rette skinner og en smal brakett i midten av buen.

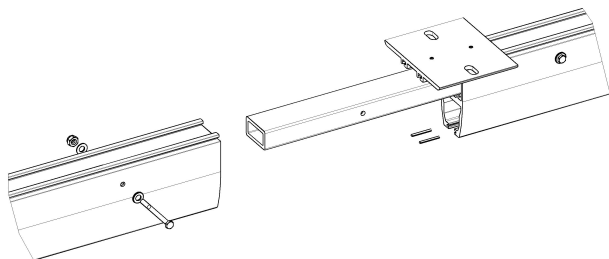
Vinkel 60° 0,2 + 0,2 m rette ender: Én koblingsbrakett i begge ender hvis buen kobles til rette skinner og en smal brakett i midten av buen.

Vinkel 90° 0,6 + 0,6 m rette ender: Én koblingsbrakett hvis buen kobles til rette skinner og en smal brakett i midten av buen.

Monteringsanvisninger for buer finner du i del 5.2.1.1 og del 5.2.1.2.

3.6 Skinnesammenkobling

3.6.1 Skinnekobling for profil M og L



Følgende elementer brukes for skinnekobling:

- Skinneprofil M nr. 1
- Skinneprofil M nr. 2
- Innføringsrør (for profil M)
- Koblingsbrakett (hurtig- eller standardtype)
- Låsepinner
- Stoppeskruer
- Bolt M6
- Skive
- M6-låsemuttere

Skyv innføringsrøret halvveis inn i skinneprofil nr. 1 og fest det med en gjennomgående bolt. Deretter borer du hullene for låsepinnene i skinneprofil nr. 2 på opptil 3,2 mm i en dybde som tilsvarer halve lengden til låsepinnene. Før låsepinnene halvveis inn i skinneprofil nr. 1 og klem dem sammen i enden.

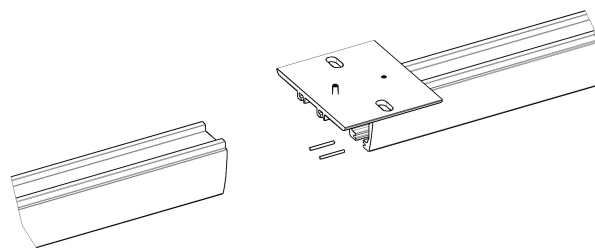
Skyv koblingsbraketten halvveis på skinneprofil nr. 1 og fest den med stoppeskruen.

Koblingsbraketten er bare påkrevd ved montering av skinnen i taket. Hvis du sammenkobler en traversskinne, er koblingsbraketten ikke påkrevd. Skyv sammen skinneprofil nr. 2 og nr. 1, og fest dem på en sikker måte med en låseskruer i koblingsbraketten og den gjennomgående bolt.

Monter den koblede skinnen ved å følge instruksjonene for montering av rette skinneprofiler, se del 5.2.

Ved kobling av lange skinner kan det være vanskelig å løfte den sammenkoblede skinnen i ett stykke. I slike tilfeller må du først montere den første skinnen i taket. Deretter løfter du opp neste skinne som er klargjort for kobling, og skyver skinnene sammen.

3.6.2 Skinnekobling for profil S



Følgende elementer brukes for skinnekobling:

- Skinneprofil nr. 1
- Skinneprofil nr. 2
- Koblingsbrakett (hurtig- eller standardtype)
- Låsepinner
- Stoppeskruer

1. Bor hull for låsepinnene i skinneprofil nr. 2 på opptil 3,2 mm i en dybde som tilsvarer halve lengden til låsepinnene.
2. Før låsepinnene halvveis inn i skinneprofil nr. 1 og klem dem sammen i enden.
3. Skyv koblingsbraketten halvveis på skinneprofil nr. 1 og fest den med stoppeskruen.
4. Sett skinneprofil nr. 2 i koblingsbraketten og før de to skinnene sammen.
5. Stram stoppskruen på skinneprofil nr. 2.
6. Monter de koblede skinnene ved å følge instruksjonene for montering av rette skinneprofiler.



VIKTIG!

Ved kobling av lange skinner kan det være vanskelig å løfte opp den sammenkoblede skinnen i ett stykke.
– I slike tilfeller må du først montere den første skinnen i taket. Deretter løfter du neste skinne som er klargjort for kobling, og skyver skinnene sammen.

3.7 Veggstøtteben

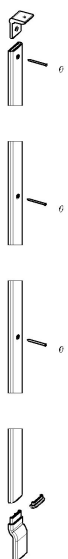
Veggstøtteben brukes for montering på gipsvegger og vegger i andre lette platematerialer.

- Veggstøttebenprofil (juster lengden)
- Støttekonsoll
- Veggstøttefot
- Plastdekselplugger
- M6-skruer

Veggstøttebenet kuttes i riktig lengde, i enden som vender mot gulvet.

Ved måling av profillengden må du inkludere en minimumsavstand mellom toppen av braketten og taket. Minimumsavstanden som må overholdes:

- M-profil: min 80 mm
- L-profil: min 150 mm



Monter veggstøttebenet på veggen med tre skruer. Bruk \varnothing 6 mm skruer. Veggmaterialer er avgjørende for valg av skruer.

i For montering i gips anbefaler vi å bruke (f.eks. Hilti HGA eller tilsvarende) pluggforbindelse for hulrom (f.eks. Hilti HGA eller tilsvarende).

I tilfelle av gulvlister bruker du enten den høye veggstøttefoten eller kutter gulvlisterne.



VIKTIG!

- Husk å ta høyde for veggstøttefoten.
- Monter alltid veggstøtteben direkte på veggen i deres fulle lengde.

3.8 Montere systemet for sidelengs flytting

De parallelle skinnene monteres i tak eller vegg som beskrevet i forrige del vedrørende gjeldende monteringsforhold.

Hvis de to parallelle skinnene monteres ved hjelp av hurtig- eller standardfester, er det viktig at ethvert avvik fra parallellitet for de to skinnene ikke overskrider +/- 2 mm.

Ved montering av parallelle skinner er det viktig å ta hensyn til om det senere skal være mulig å sette inn en løpekatt for sidelengs flytting eller ikke. Hvis ikke kan skinnene gå helt ut til veggen (minimumsavstanden fra skinnen til veggen må alltid være 60 mm). I dette tilfellet er det viktig at løpekatten for sidelengs flytting og endestopperen skyves inn i skinnen før skinnen monteres. Hvis det skal være mulig å sette inn løpekatten senere, er det imidlertid viktig at det er en minimal avstand mellom den ene enden av skinnen og veggen på 350 mm.

Husk at endestopperen i de parallelle skinnene skal plasseres slik at de to løpekattene for sidelengs flytting slår borti endestopperne samtidig.

Avstanden mellom to parallelle skinner måles alltid fra senter til senter av de to skinnene.

Generelt gjelder følgende for traversskinnen når det gjelder den frie spennvidden mellom de parallelle skinnene samt den maksimale fremskytingen en skinne kan håndtere.

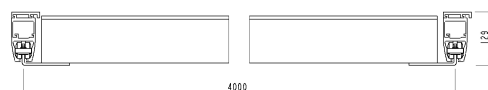
- Skinneprofil S: maks fri spennvidde 2 m, maks fremskyting 200 mm
- Skinneprofil M: maks fri spennvidde 4 m, maks fremskyting 200 mm
- Skinneprofil L: maks fri spennvidde 8 m, maks fremskyting 400 mm



Når en skinne monteres som opphengt delvis imellom, er det alltid maks fremskyting for S-profilen som gjelder.

Ved montering av traversskinnen er det tre mulige metoder:

Traversskinnen henges opp imellom



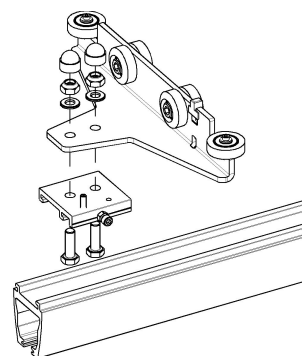
Målingen for traversskinnen er alltid avstanden mellom de to parallelle skinnene minus 86 mm.

Når traversskinnen monteres opphengt imellom, settes løfterløpekatten inn i traversskinnen og endestopperne plasseres løst i begge endene av traversskinnen. Husk at gummipluggen på endestopperen alltid skal vende innover mot løfterløpekatten. Løft skinnen på toppen av løpekatten for sidelengs flytting slik at endestopperens 2 bolter er på linje med de to hullene i løpekatten for sidelengs flytting, og fest den deretter med skiver og låsemuttere. Før skinnen festes godt, er det viktig å sørge for at avstanden mellom traversskinnen og hver av de parallelle skinnene er lik i begge ender. Når skinnen er godt festet, monterer du dekselpluggene på låsemuttere og i skinnene.

Traversskinnen henges opp under



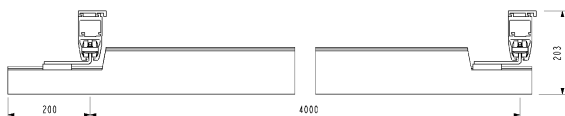
Når de parallelle skinnene er montert og løpekattene for sidelengs flytting samt endestopperne er posisjonert og festet, installerer du hurtigtraversbraketter under løpekatten for sidelengs flytting, som vist på tegningen.



Uavhengig av om de to løpekattene for sidelengs flytting er vendt mot hverandre eller i samme retning, er det viktig at de to hurtigtraversbrakettene vender i samme retning. Ellers vil det oppstå problemer ved montering av skinnen.

Når traversskinnen er korrekt plassert på langs og godt festet i hurtigtraversbraketten med Umbraco-skruen, låses skinnen med en pinolsenterskrue, som skrues inn i hurtigtraversbraketten ovenfra før den skrues helt ned.

Traversskinnen henges opp delvis imellom

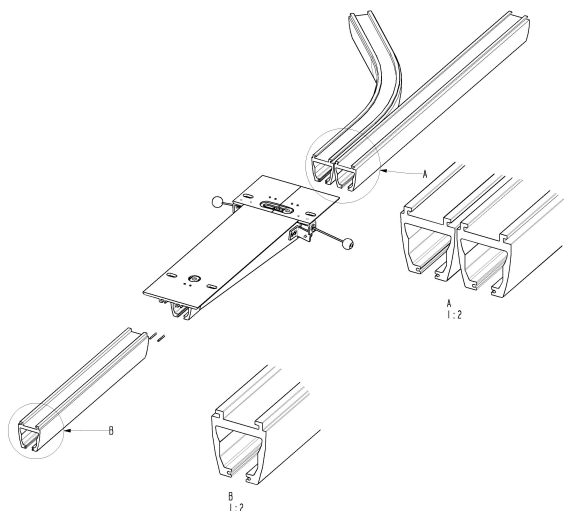


Når traversskinnen henges opp delvis imellom, brukes samme monteringsprinsipp som når traversskinnen henges opp under. Her blir skinnen kuttet ved levering, slik at hurtigtraversbraketten kan monteres på skinnens midterste opphengspunkt.

Før montering av traversskinnen er det viktig å huske på å bestemme om det skal være mulig å montere løfterløpekatten senere eller ikke.

3.9 Montere sporvekslere

Sporveksleren brukes der en endring i retning er nødvendig under forflytning av pasienten. Sporveksleren betjenes manuelt. Ved å koble sporveksleren med både rette skinner og buede skinner kan forskjellige kombinasjoner oppnås.



Sporveksleren kan bare brukes i kombinasjon med takmontering og S-profilskinner. Sporveksleren er utformet for standard takbrakett.

Ved bestilling eller montering av det rette eller buede enkeltskinnesystemet er det viktig å huske hvilken retning monteringsstappene i sporveksleren vender i. Bare én standard sporveksler er tilgjengelig – se illustrasjonen.

Ved montering i betongtak, se kapittel 3.2.1 *Betongtak*, side 94 (standardbraketter), og kapittel 3.6.2 *Skinnekobling for profil S*, side 100

En omboring i skinnene utføres ved sammenkobling av skinnene. Denne omboringen utføres i sporveksleren ved levering, og de påkrevde rørpinnene leveres. Ved montering av skinnene til bryteren må du huske å stramme de forhåndsinstallerte låseskruene på sporveksleren – se illustrasjonen. Ved behov for informasjon om montering av en sporveksler på forskjellige taktyster eller i kombinasjoner med pendler kontakter du Invacare® for ytterligere informasjon.



VIKTIG!

- Etter montering må funksjonene til sporveksleren og monteringen av endestopperne inspiseres.

3.10 Transittkobling

Transittkoblingen brukes i situasjoner der transport fra ett rom til et annet er påkrevd, ved hjelp av bare én Robin-motor. Koblingen betjenes elektrisk.

Transittkoblingen kan monteres i forskjellige skinnerkombinasjoner. Koblingen kan brukes til å sammenkoble enten to systemer for sidelengs flytting eller ett system for sidelengs flytting og ett enkeltskinnesystem.

Koblingen leveres med en standardlengde på 800 mm, og kan anvendes der veggen er opptil 170 mm tykk. Koblingen leveres med én kontrollknapp, én strømforsyning med 2 meters ledning (som må justeres under monteringen) og en bruksanvisning.



Hvis en transittkobling er nødvendig i situasjoner der veggen er tykkere enn 170 mm, kontakter du Invacare®.

Når du bestiller transittkoblingen er det viktig å bestille låsefester for skinnene i både rom 1 og 2. Ved tilkobling til et enkeltskinnesystem se punkt 5.5 om skinneresammenkobling. Pendler for monteringen leveres ikke sammen med koblingen. Bestill pendler separat i ønsket lengde for koblingen.

Anbefalt montering:

1. Transittkobling
2. System for sidelengs flytting / enkeltskinnesystem
3. Posisjonere fester
4. Slutttest – Funksjons- og belastningstest

3.10.1 Justere hullet i veggen/døråpningen



FORSIKTIG!

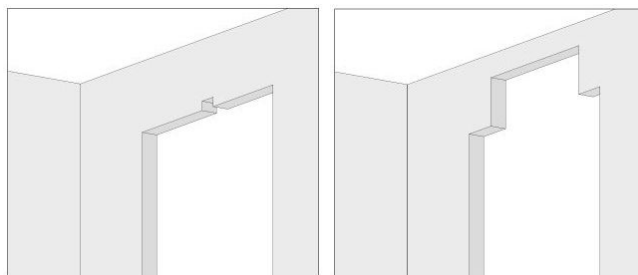
– Før du lager et hull i veggen, må du forsikre deg om at veggen er ikke en bærende vegg.

Hullet må alltid plasseres nøyaktig i midten av døråpningen:

Hvis det kreves at bare skinnen skal passere gjennom veggen, må hullet være minst 73 mm høyt og minimum 65 mm bredt.

Dersom økt løftehøyde kreves, må hullet være større.

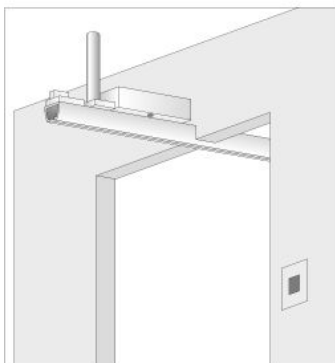
For en hullhøyde på mer enn 80 mm må bredden være minst 600 mm for at den takmonterte løfteren skal passere gjennom.




Det beste resultatet oppnås hvis transittkoblingen ble tatt hensyn til helt i begynnelsen av huskonstruksjonen. På denne måten kan døråpningen konstrueres med optimal løftehøyde.

3.10.2 Montere transittkoblingen

Koblingen leveres montert med motorboksen, fester for pendler og låsefester. Den leverte transittkoblingen er klargjort, slik at hele motorboksen plasseres i ett av de to rommene etter montering.

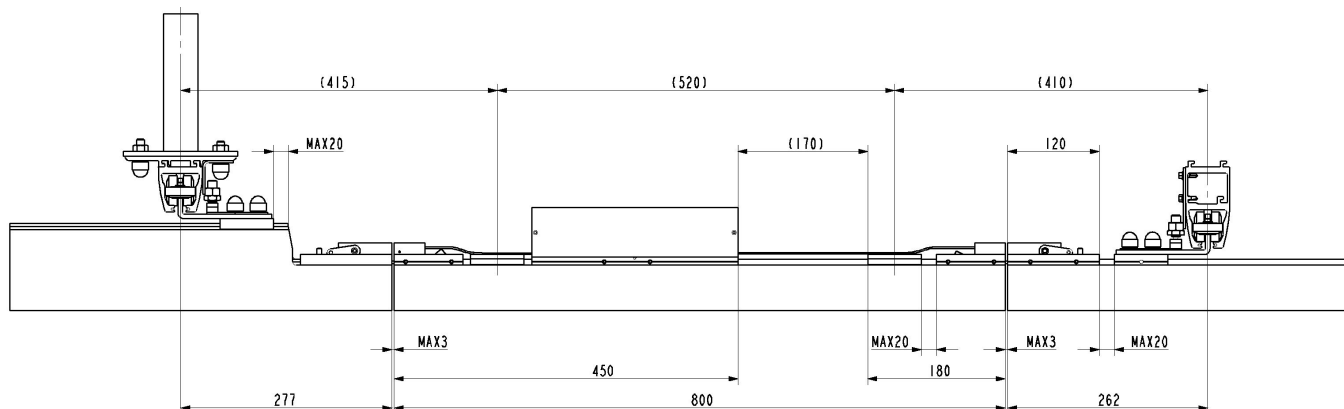


Motorboksen og låsefestene må plasseres der de skal, når transittdelen leveres, for å sikre funksjonalitet og sikkerhet. Fester for pendler kan plasseres fritt så lenge det er i samsvar med systemets konstruksjon. Se målskisse nedenfor.

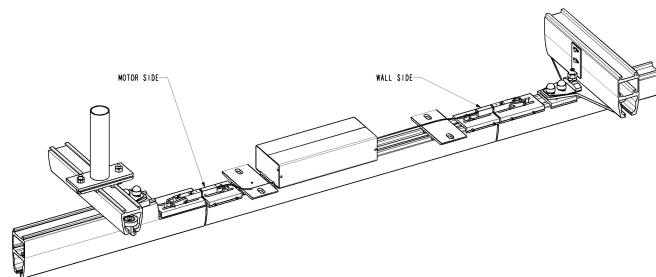
 Det er svært viktig at veggens tykkelse kontrolleres på forhånd.

Ved montering av transittkoblingen er det svært viktig at motorboksen plasseres i rommet den skulle stå i da den ble bestilt, fordi hele systemet er konstruert basert på vurderingen av hvor motorboksen skal være plassert.

Målskisse for transittkobling



Montering med pendler er beskrevet i kapittel 3.2.2 *Betongtak med nedhengt tak*, side 95.



Se målskissen nedenfor for mer informasjon.

Montering av transittkoblingen er bare mulig ved hjelp av pendler. Koblingen kan derfor kun installeres der takmontering er mulig.

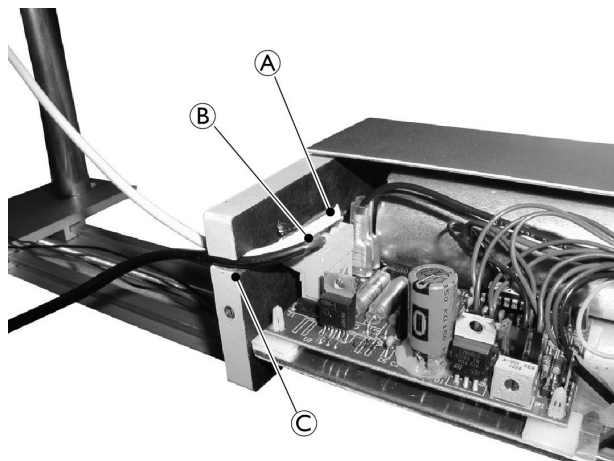
Det beste resultatet oppnås i et betongtak.

Ved montering i tretak er det svært viktig at systemet for sidelengs flytting og koblingen monteres på en måte der de bøyes ned likt og med minimum bøy.

Hvis det er nødvendig å styrke taket i en tretakkonstruksjon, må du sørge for å styrke det med en tilkoblet konstruksjon mellom skinnesystemet og transittkoblingen.

Ikke monter pendlene i forskjellige takbjelker fordi tilkoblingen og systemet for sidelengs flytting ikke vil bøye seg ned likt på denne måten og koblingen da ikke vil fungere riktig.

3.10.3 Montere og koble til kontrollknappen og strømforsyningen



Før tilkobling av kontrollknappen og strømforsyningen er det nødvendig å demontere dekslene på motorboksen. Dekslene demonteres ved å løsne de to skruene som holder hvert av dekslene på plass, og trekke dekslene horisontalt til siden.

Kontrollbryteren monteres i rommet og i høyden som foretrekkes av brukeren. Kontrollbryteren åpnes med verktøy, og baksiden monteres på veggen ved hjelp av to skruer med dimensjonene $\varnothing 3,5 \times 30$ mm.

Ledningen forkortes til en passende lengde og kobles til motorboksen. Se tegningpos. **A**.

Strømforsyningen monteres på veggen, synlig eller skjult, avhengig av hva som er mest egnet. Strømforsyningen monteres på en skrue med dimensjonene $\varnothing 3,5 \times 30$ mm på veggen ved å bruke "nøkkelhullet" på baksiden av strømforsyningen.

På undersiden av strømforsyningen er det et hull for en skrue med dimensjonene $\varnothing 3,5 \times 30$ mm som gjør det mulig å låse fast strømforsyningen på veggen. Ledningen forkortes til en passende lengde og kobles til motorboksen. Se tegningpos. **B**.

Dekselet monteres på nytt når ledningene er koblet til riktig og kontrollbryteren er testet. Husk å montere ledningene i endeplaten for å unngå at ledningen kommer i konflikt med dekselet når det monteres på igjen. Se tegningpos. **C**.



FORSIKTIG!

Det er svært viktig at det ikke henger noen løse ledninger fra koblingen.

3.10.4 Installere et system for sidelengs flytting med låsfeste for transittkobling

Generelt sett monteres et system for sidelengs flytting som vist i kapittel 3.8 *Montere systemet for sidelengs flytting, side 101*. Det anbefales at parallellskinnen til systemet for sidelengs flytting monteres i taket for at transittkoblingen skal fungere så stabil som mulig.

Ved montering av parallellskinnen må du alltid huske å plassere en takbrakett/-pendel foran transittkoblingen, spesielt på skinnen nærmest transittkoblingen. Se kapittel 3.10.6 *Montere posisjoneringsfester på parallellskinne med S-profil og M/L-profil, side 104*

Når parallellskinnen monteres, er det viktig å sikre en korrekt avstand til koblingen. Se bildet i kapittel *Målskisse for transittkobling, side 103*

Traversskinnen er justert i forhold til den bestemte rekkefølgen ved levering. Hvis det imidlertid er nødvendig å forkorte skinnen ytterligere, må den kuttes i enden som er motsatt til der koblingen befinner seg.

Følgende traversskinner kan brukes sammen med et transittkoblingssystem:

- S-, M- og L-profil, hengt opp under
- M- og L-profil, hengt opp delvis imellom

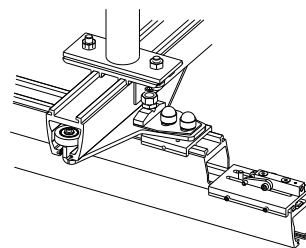
Det er svært viktig å sikre riktig fritt overheng for traversskinneavstanden mellom pendlene og den frie spennvidden fra skinnene for å sikre at skinnene kan kobles sammen riktig. Se tegningen ovenfor.

Når systemet for sidelengs flytting og koblingen er montert, er det svært viktig å kontrollere høyden mellom disse og justere om nødvendig.

Den nedre kanten av traversskinnen må ikke avvike mer enn 0,5 mm ut fra koblingsskinnen. Hvis det er en forskjell i høyde, må koblingssporet være lavest.

Det kan være nødvendig å justere høyden på en annen måte i henhold til brukervekten eller tilstanden til taket for å optimalisere koblingens funksjon.

Når låsefestene monteres, er det svært viktig at de er på linje med enden av traversskinnen, og at de er vridd på riktig måte i forhold til festet på koblingen, før de låses. Se tegning.



Låsfester for M- og L-profil leveres med en liten plate, som det er viktig å installere.

3.10.5 Montere en enkeltskinne for et koblingssystem

Når koblingen monteres med en enkeltskinne i ett av rommene, er den klargjort for dette (uten låsfestet) ved levering.

Når koblingen monteres med en S-profilskinne, kobles skinnen som vist i kapittel 3.6.2 *Skinnekobling for profil S, side 100*

Pendelen monteres i koblingsfestet.

Resten av enkeltskinnesystemet monteres som vist i kapitlene 3.2 *Takmonteringssystem, side 94* og 3.6 *Skinnesammenkobling, side 100*

3.10.6 Montere posisjoneringsfester på parallellskinne med S-profil og M/L-profil

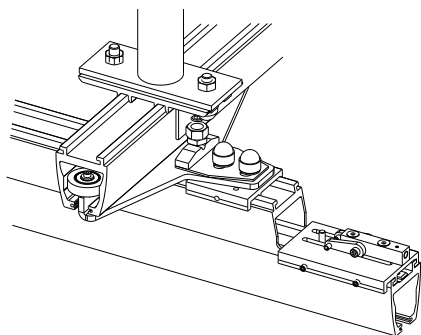


FORSIKTIG!

Det er svært viktig at alt er riktig justert og omhyggelig festet, av hensyn til sikkerhet og funksjonalitet.

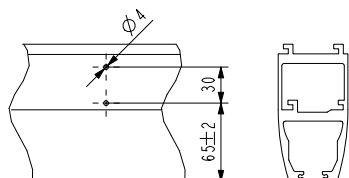
– Test systemet grundig etter montering.

Posisjoneringsfestet monteres for enkel posisjonering av traversskinnen i forhold til koblingen. Festet monteres på skinnen nærmest koblingen og skal være vendt mot koblingen. Se tegning.



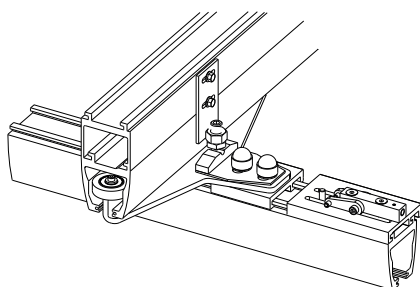
Posisjoneringsfestet for S-profilskinnene monteres delvis i standardfestet. Det er derfor viktig å plassere et standardfeste rett foran koblingsskinnen.

Den ene delen av posisjoneringsfestet monteres i M10-bolten ved standardtakbraketten i samme retning som hurtigfestet på løpekatten for sidelengs flytting. Den traverse delen av posisjoneringsfestet monteres på hurtigfestet til løpekatten for sidelengs flytting. Se tegning.



Posisjoneringsfestet for M-/L-profilskinnene monteres delvis på henholdsvis parallell- og traversskinnen. Den traverse delen av posisjoneringsfestet monteres på hurtigfestet til løpekatten for sidelengs flytting.

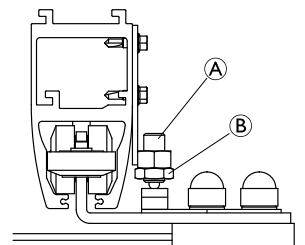
Traversskinnen og transittkoblingen må sammenkobles ved montering av den parallelle skinnedelen av posisjoneringsfestet. På denne måten er det mulig å merke av for riktig plassering av festene før de monteres. Etter at riktig posisjon har blitt merket opp, separeres skinnene igjen før hullene med dimensjonen Ø 4 mm for skruene bores. Se tegningen nedenfor.



Justere hardhet

Posisjoneringsfestene må justeres til en hardhet som gjør det enkelt for koblingen å fange opp traversskinnen, men som samtidig gjør det mulig for skinnen å passere forbi koblingen uten å bli fanget opp av koblingen.

1. Hvis posisjoneringsfestet er justert for hardt, løsner du den fleksible svarte skruen (A).
2. Hvis posisjoneringsfestet er justert for lett, strammer du skruen (A).
3. Stram låsemutter (B) (M12) etter enhver justering.



Justere posisjoneringsfester

Den parallelle skinnedelen av posisjoneringsfestet kan justeres ytterligere ved å løsne skruene og flytte festet horisontalt frem til skinnen er rett foran koblingen.


Etter justering kan festet festes.


Legg merke til at det er litt klaring, som må fordeles mellom skinnens begge sider.

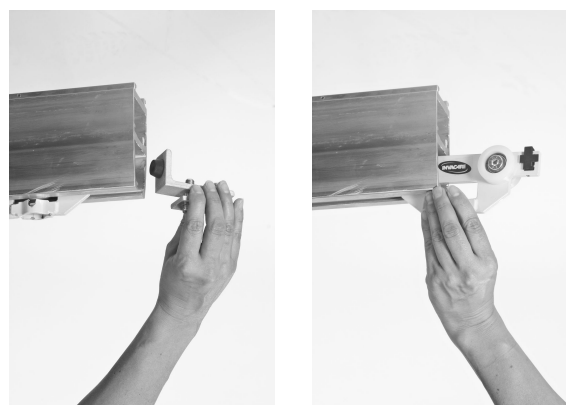
3.11 Montere den takmonterte løfteren til skinnesystemet


Robin krever en løpekatt, som fører den takmonterte løfteren i skinnesystemet. Robin Mover har løpekatten innebygd og kan monteres direkte til skinnesystemet.

3.11.1 Montere Robin®

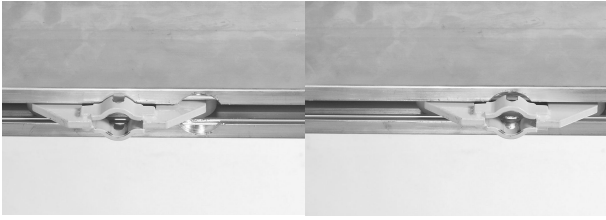
 Verktøy: 4 mm unbrakonøkkel, 17 mm ringnøkkel

1. Når du skal montere løpekatten, må du fjerne endestopperen som er festet til skinnesystemet.
 -  I noen land / lokale områder er det påkrevd å dobbeltsikre endestopperne. Hvis en ekstra festeskruer monteres, fjerner du denne skruen først.

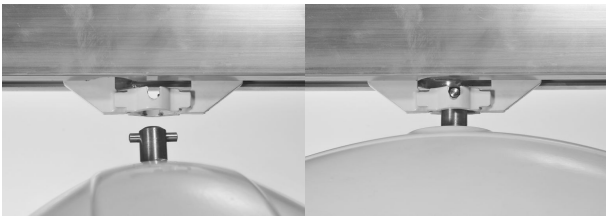


2. Sett løpekatten inn i skinnen (det er det samme hvilken vei, da løpekatten er symmetrisk).
3. Sett inn igjen endestopperen.
 -  I noen land / lokale områder er det påkrevd å dobbeltsikre endestopperne. Hvis en ekstra festeskruer kreves, monterer du denne skruen. Se også *Endestopper*, side 90.


4. Plasser løfterløpekatten ved den runde fordybningen på Ø 32 mm (diameter) i skinnen.



5. Hev løfteren og skyv opphengsbolten gjennom løpekattåpningen.




6. Vri løfteren 90 grader for å feste den i løpekatten.
7. Koble til håndkontrollen.
8. Juster lengden på nødstoppet/senkebåndet til innenfor brukerens rekkevidde.

 Hvis det er stor motstand, eller hvis løpekatten utilsiktet ruller av seg selv på grunn av ubalanse i skinneopphegene, justerer du friksjonsbremsen med en 4 mm unbrakonøkkel.



3.11.2 Montere Robin® Mover


Løpekatten er innebygd i løfteren og kan derfor ikke forhåndsmonteres i skinnen.

 Verktøy: 4 mm unbrakonøkkel, 17 mm ringnøkkel

1. Fjern endestopperen.




2. Sett løfterens hjul i skinnen.

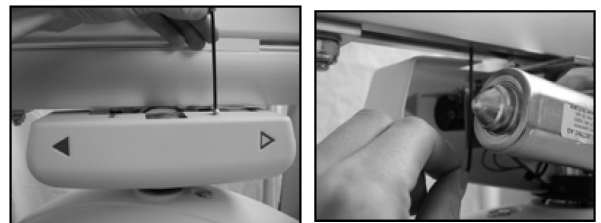
 Hvilken retning løfteren vender i, spiller ingen rolle under monteringen.



3. Monter endestopperen.

 Stram til bolten med et moment på 30 Nm.

4. Hvis du opplever for mye motstand når du drar i løfteren, eller løfteren beveger seg for fritt og utilsiktet, justerer du friksjonsbremsen.



5. Koble til håndkontrollen.
6. Juster lengden på nødstoppet/senkebåndet til innenfor brukerens rekkevidde.

3.12 Inspeksjon/kontroll av skinneresystemet



FORSIKTIG!

Etter installasjon av et skinneresystem må hele systemet kontrolleres.

- Inspeksjon av et skinneresystem må kun utføres av kvalifiserte personer.
- Inspeksjonen må utføres i samsvar med *Sjekkliste for sikkerhetskontroll / Skinneresystem* i servicehåndboken for Invacare® Robin®.

I henhold til den europeiske standarden EN 10535 skal systemet stresstestes med 300 kg. Dette må gjøres ved hvert festepunkt. Denne testen skal utføres som

en omtesting av systemstrukturens evne til å holde skinnerystemet festet på plass.

4 Tekniske Data

4.1 Skinnesystemet

Alle skinneprofiler er produsert i ekstrudert aluminium.

Skinne er tilgjengelige med hvitt pulverbelegg.

Skinne er tilgjengelige i tre ulike høyder; S= 68 mm, M=114 mm og L=183 mm, og gir en fri spennvidde på henholdsvis 2 m, 4 m og 8 m.

Profilbredden for alle tre profilene er 58 mm. Toppen av profilene er utformet for å muliggjøre koplingen av skinnene til monteringsbrakettene.

Ved levering vil skinnen for løfteren ha en riflet fordypning på bunnen. Denne fordypningen brukes for løftermontering og kalles nøkkelhull.

Mulige installasjoner

Enkeltskinne kan monteres i taket eller på vegg og gulv. Skinneposisjonen i rommet kan enten være parallell med en vegg eller vinklet i forhold til en vegg.

Systemet for sidelengs flytting kan monteres i taket eller på vegg og gulv. Den frie spennvidden mellom de to parallellskinnene kan være opptil 8000 mm.

Buer er tilgjengelige i S-profilen og kan monteres i taket. De er tilgjengelige i vinkler på 30°, 45°, 60° og 90°.

Spesielle løsninger

Montering med pendelbraketter brukes i følgende tilfeller: Når takets høyde varierer i skinnens lengderetning, eller når skinnen skal være forsenket.

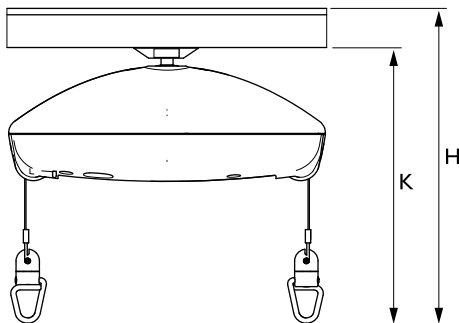
Vinklet montering brukes når skinnen skal installeres i andre vinkler enn 90°.

4.2 Dimensjoner for ulike spormonteringer

Byggedimensjonene til en montering er definert som avstanden mellom takets underside og løfterens kroker.

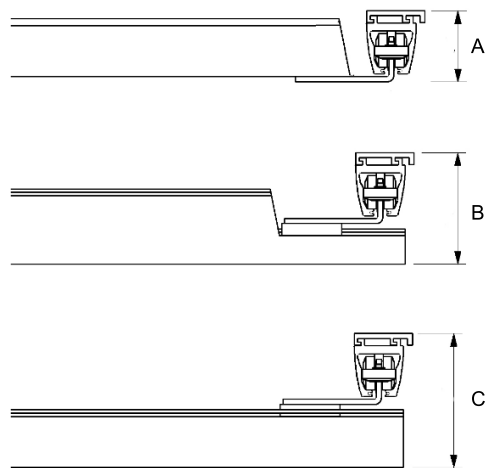
Enkeltskinnehøyde

For EC-Track™-systemet og den takmonterte Robin-løfteren er dimensjonene for innebygging målt fra taket med skinnen montert så nær som mulig taket, som følger:



		Robin	Robin Mover
K	Målt fra undersiden av skinnen til løfteseilkroken	336 mm	396 mm
H	Takmontert Skinneprofil S	410 mm	470 mm
	Vegg-/gulvmontert Skinneprofil M	450 mm	510 mm
	Vegg-/gulvmontert Skinneprofil L	519 mm	579 mm

Høyde på skinnesystem for sidelengs flytting



A = traverssystem hengt opp imellom

B = traverssystem hengt opp delvis imellom

C = traverssystem hengt opp under

Mulige kombinasjoner

Travers skinne	Parallell skinne	A	B	C
S-profil	S-profil	83 mm	—	156 mm
M-profil	S-profil	—	156 mm	203 mm
	M-profil	129 mm	203 mm	250 mm
L-profil	S-profil	—	—	272 mm
	M-profil	—	—	319 mm
	L-profil	198 mm	272 mm	388 mm

Innehållsförteckning

ÅTERFÖRSÄLJARE: Behåll den här manualen. Procedurerna i den här manualen får ENDAST utföras av en kvalificerad tekniker.

1 Allmänt	110
1.1 Om manualen	110
1.2 Allmän säkerhet	110
1.3 Information om garanti	110
2 Skensystem	111
2.1 Enkelskenssystem	111
2.2 Traverssystemet	112
2.3 Förflyttning mellan rum	113
2.4 Skenor, fästen och tillbehör	114
3 Montering	119
3.1 Allmänna monteringsanvisningar	119
3.2 Takmonteringssystem	119
3.2.1 Betongtak	119
3.2.2 Betongtak med undertak	120
3.2.3 Trätak	122
3.3 Vägghängning – ändhängd skena	123
3.3.1 Skenprofil M och L	123
3.4 Vägghängning – sidohängt fäste eller sido-/ändhängt fäste	124
3.5 Kurvor	124
3.6 Skarvning av skenor	124
3.6.1 Skarvning av skenor för profil M och L	124
3.6.2 Skarvning av skenor för profil S	125
3.7 Väggstolpar	125
3.8 Montera traverssystemet	125
3.9 Montera spårväxlar	126
3.10 Transitkoppling	127
3.10.1 Anpassa hålet i väggen/dörrkarmen	127
3.10.2 Montera transitkopplingen	127
3.10.3 Montera och ansluta manöverknapp och nätaggregat	128
3.10.4 Montera ett traverssystem med låsfäste för transitkoppling	128
3.10.5 Montering av enkelskena för skarvsystem	129
3.10.6 Montera positioneringsfästen på parallellskena med profil S och M/L	129
3.11 Montera taklyften i skensystemet	129
3.11.1 Montera Robin®	129
3.11.2 Montera Robin® Mover	130
3.12 Besiktning/kontroll av skensystemet	131
4 Teknisk Data	132
4.1 Skensystemet	132
4.2 Byggmått för olika skenmonteringar	132

1 Allmänt

1.1 Om manualen

Installationsmanualen är avsedd som en vägledning vid planering och montering. Läs igenom manualen noga och följ säkerhetsinstruktionerna för att försäkra dig om att du hanterar produkten på ett säkert sätt.

Mer information inför försäljningen och användarinformation finns i bruksanvisningen. Bruksanvisningen finns på Invacares hemsida. Du kan också kontakta ett ombud för Invacare (adresser finns i slutet av manualen).

Symboler som används i manualen

I manualen markeras riskfyllda situationer med symboler. Symbolerna åtföljs av ett signalord som anger allvarlighetsnivån.



VARNING

Anger en riskfylld situation som kan leda till allvarlig skada eller dödsfall om den inte undviks.



FÖRSIKTIGT

Anger en riskfylld situation som kan leda till lättare skada om den inte undviks.



VIKTIGT

Anger en riskfylld situation som kan leda till produktskada om den inte undviks.



Tips och rekommendationer

Ger användbara råd, rekommendationer och information för en effektiv och problemfri användning.



Information om vilka verktyg som behövs.



Den här produkten är CE-märkt i enlighet med den medicintekniska förordningen 2017/745 klass 1. Lanseringsdatum för produkten anges i CE-försäkran om överensstämmelse.

1.2 Allmän säkerhet



VARNING!

Säkerhetsregler före montering

- Samtliga monteringar måste uppfylla kraven i nationella regler och standarder.
- Endast godkända monteringskomponenter får användas.
- Vid varje upphängningspunkt måste taket klara en statisk belastning på minst 300 kg.
- Före montering av ett skensystem måste tak, väggar och golv undersökas noga. Exakt vilka material som ingår i tak och väggar ska fastställas. Undersökningen får endast utföras av en behörig person.
- Skensystemet får endast monteras av en behörig person.

Belastningsprovning

Enligt den europeiska standarden EN 10535 ska systemet provas med en belastning av 300 kg. Provnings ska utföras under samtliga infästningar. Provnings ska utföras som ett test av materialets förmåga att hålla skensystemet på plats. Testet måste utföras av en behörig person.

1.3 Information om garanti

Garantivillkoren ingår i de allmänna villkor som gäller för de olika länder där produkten säljs.

Kontaktinformation till ditt lokala Invacare-kontor hittar du på baksidans insida i den här bruksanvisningen.

2 Skensystem

2.1 Enkelskensystem

Ett enkelt skensystem passar i situationer där lyften sker vid en bestämd och avgränsad plats (t.ex. under spåret).

Ett enkelskensystem består av en enskild rak skena. Skenan kan monteras parallellt med väggen eller diagonalt genom rummet.

Det finns möjlighet att bygga ut skensystemet med kurvor i 30, 45, 60 och 90 grader.

Skensystemet kan vägg- eller takmonteras.

Ett enkelskensystem kan monteras infällt i taket. Då är det endast skenöppningen som syns.

2.2 Traverssystemet

Traverssystemet är till för situationer där det behövs flera lyftställen i rummet.

Traverssystemet består av två parallellskenor som kan tak- eller väggmonteras. En traversåkvagn monteras på respektive skena. Den kan röra sig längs hela parallellskenan mellan ändstoppen.

En traversskena är monterad på de båda traversåkvagnarna vinkelrätt mot parallellskenorna. Bilderna nedan visar olika metoder för att montera systemet. Med hjälp av en lyftåkvagn som sitter i traversskenan kan lyften röra sig längs hela traversskenan.

Eftersom traverssystemet täcker hela rummet är antalet lyftställen obegränsat.

Kombinationer av traverssystem

Skenor	Kombination	Monteringskombinationer
Parallell: Profil S Travers: Profil S	Underhängd travers: Förhöjd travers:	
Parallell: Profil S Travers: Profil M	Underhängd travers: Delvis förhöjd travers:	
Parallell: Profil S Travers: Profil L	Underhängd travers:	
Parallell: Profil M Travers: Profil M	Underhängd travers: Förhöjd travers: Delvis förhöjd travers:	
Parallell: Profil M Travers: Profil L	Underhängd travers:	

Skenor	Kombination	Monteringskombinationer
Parallell: Profil L Travers: Profil L	Underhängd travers: Förhöjd travers: Delvis förhöjd travers:	

2.3 Förflyttning mellan rum

Förflyttning mellan rum med två lyftar

Förflyttning mellan två rum kan utföras med hjälp av en Robin-lyft i varje rum. För att underlätta förflyttningen används en särskild åkvagn från Invacare.

Förflyttning mellan rum går att använda med både enkelsystem och rumstäckande lösningar. Det är viktigt att skenorna placeras så nära dörröppningen som möjligt. Vid montering av rumstäckande skensystem för förflyttning mellan rum ska traversskenan monteras vinkelrätt med väggen i dörröppningen. Avståndet mellan de båda ändstoppen får inte vara större än 600 mm. För bästa resultat vid förflyttning mellan rum bör det vara minst

185 cm mellan golvet och lyftens undersida. Tänk på detta vid planeringen av skensystemet.

Förflyttning mellan rum med transitkoppling

Som alternativ kan förflyttning mellan rum utföras med transitkoppling.

Den kan monteras mellan två traverssystem eller ett traverssystem och ett enkelskensystem.

Transitkopplingen är elektriskt manövrerad via en manöverkontakt på väggen. Kopplingen levereras i en standardlängd på 800 mm.

Mer information finns i kapitel 2.4 *Skenor, fästen och tillbehör*, Sida 114 och 3.10 *Transitkoppling*, Sida 127.

2.4 Skenor, fästen och tillbehör

Skenprofiler S, M och L

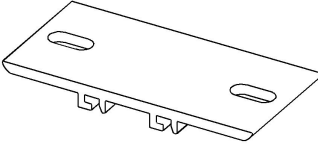
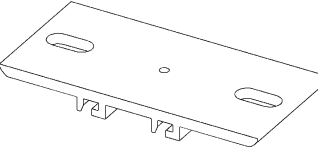
Typ		Beskrivning	Info
Skenprofil S		Maximal längd=7,8 m Maximal längd utan stöd: 2 m	färg: vit
Skenprofil M		Maximal längd=7,8 m Maximal längd utan stöd: 4 m	
Skenprofil L		Maximal längd=7,8 m Maximal längd utan stöd: 8 m	

Kurvor 30°, 45°, 60°, 90°

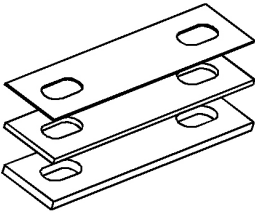
Typ		Beskrivning	Info
Kurva 30°		Skenprofil S med kurva 30° och 2 x 200 mm rak skena	Samtliga kurvor har en radie på 400 mm. Samtliga kurvbögar levereras som höger- eller vänsterkurva. Kännetecken för höger- och vänsterkurva finns i kapitel 3.5 <i>Kurvor</i> , Sida 124
Kurva 45°		Skenprofil S med kurva 45° och 2 x 200 mm rak skena	
Kurva 60°		Skenprofil S med kurva 60° och 2 x 200 mm rak skena	
Kurva 90°		Skenprofil S med kurva 90° och 2 x 600 mm rak skena	

Takfästen

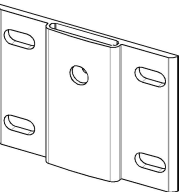
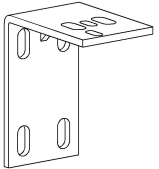
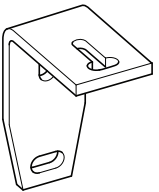
Typ		Beskrivning	Info
Takfäste, snabbfäste		Takfästen med dolda fästelement. Används vid takmontering av enkelskensystem och traverssystem Storlekar (BxDxH): <ul style="list-style-type: none"> • 30x68x14 mm (för kurvor) • 70x68x14 mm (för vanlig takupphängning) • 120x68x14 mm (för skenskarv) 	Montering: Se kapitel 3.2 <i>Takmonteringssystem</i> , Sida 119
Takfäste, snabbfäste, travers		Fästen för traverssystem och sidohängd väggmontering Fästet monteras på traversåkvagnens undersida, vid underhängd och delvis förhöjd traversmontering.	

Typ		Beskrivning	Info
Takfäste, standardtyp		Takfästen med synliga fästelement. Används vid takmontering av enkelskenssystem och traverssystem Storlekar (BxDxH): <ul style="list-style-type: none"> • 30x146x14 mm (för kurvor) • 70x146x14 mm (för vanlig takupphängning) • 120x146x14 mm (för skenskarv) 	
Takfäste, standardtyp med lås		Takfäste med låsskruv med måtten (70x146). Används för takmontering med minst 1 per rak skena. På så vis undviks förskjutning av skenan efter monteringen. Storlekar (BxDxH): <ul style="list-style-type: none"> • 70x146x14 mm 	

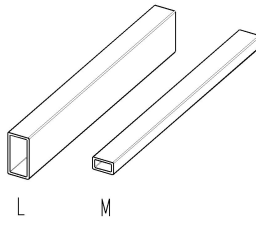
Mellanläggsplåt

Typ		Beskrivning	Info
Mellanläggsplåt för takfäste		Finns för takfästen med 30, 70 och 120 mm bredd Höjd: <ul style="list-style-type: none"> • 1 mm • 3 mm • 5 mm 	Mellanläggsplåt används vid montering för att utjämna eventuella nivåskillnader i takkonstruktionen.

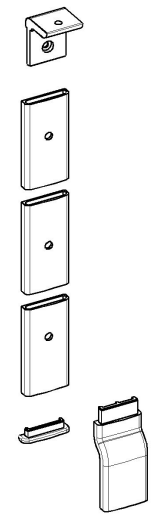
Väggfästen

Typ		Beskrivning	Info
Väggfäste, ändhängt		Används vid väggmontering av skenor. Fästena kan användas om väggen har tillräcklig bärförmåga vid rak och diagonal väggmontering. Används med insticksrör och konsol.	Montering: Se kapitel 3.3 <i>Väggmontering – ändhängd skena, Sida 123</i>
Väggfästen, sidohängda		Används vid sidohängd montering av skenor. Fästena kan användas om väggen har tillräcklig bärförmåga.	Montering: Se kapitel 3.4 <i>Väggmontering – sidohängd fäste eller sido-/ändhängt fäste, Sida 124</i>
Väggfäste, sido- och ändhängt		Används vid sidohängd eller ändhängd montering av skenor. Fästena kan användas om väggen har tillräcklig bärförmåga.	Montering: Se kapitel 3.4 <i>Väggmontering – sidohängd fäste eller sido-/ändhängt fäste, Sida 124</i>

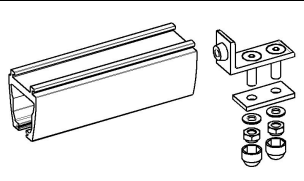
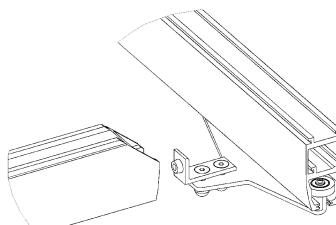
Insticksrör

Typ		Beskrivning	Info
Insticksrör för skenprofil M eller L		Används i samband med ändhängd väggmontering, vid skarvning av två skenor eller vid montering diagonalt i rummet. <ul style="list-style-type: none"> • Insticksrör för skenprofil M: Längd 800 mm. • Insticksrör för skenprofil L: Längd 1 m. 	Insticksröret anpassas efter monteringsituationen.

Väggstolpe, konsol och väggstolpfot

Typ		Beskrivning	Info
Väggstolpe		Används om väggen inte har tillräcklig bärförmåga vid väggmontering av skenan. Kan användas med både enkelskenssystem och traverssystem. Benlängd: 2,6 m/3 m	Montering: Se kapitel 3.7 <i>Väggstolpar, Sida 125</i>
Konsol för väggstolpe		Konsolen används också tillsammans med ändhängt väggfäste vid rak eller diagonal montering.	
Väggstolpfot		Låg fot för rum utan golvlister Hög fot för rum med golvlister	

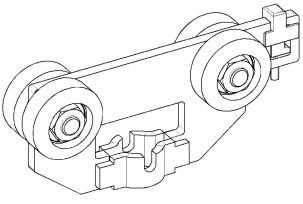
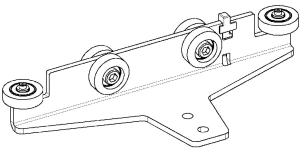
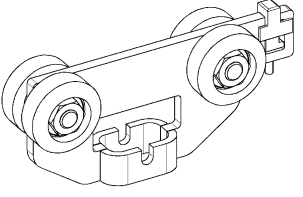
Ändstopp

Typ		Beskrivning	Info
Ändstopp		Ändstopp ska monteras på samtliga skenäндar så att åkvagnen inte trillar av skensystemet. Vid montering av ändstopp ska gummiproppen vara vänd mot åkvagnen.	
ändstopp för traversskena		På traverssystem med förhöjd montering ska traversskenas ändstopp monteras i traversåkvagnen. Vid väggmontering av skenorna ska ändstoppen placeras så långt in i skenan att inte lyften slår i väggen.	

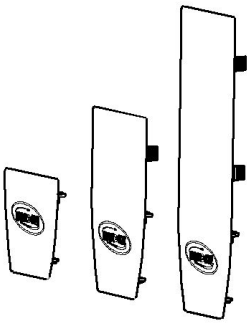
i I vissa länder/regioner måste ändstoppen monteras med dubbla fästen. Det finns två alternativa metoder för montering av ett sådant extra fäste:

- M5x16 mm gängformande skruv (t.ex. Bufab/Swebolt MRX eller motsvarande), 10 mm från vardera skenände, 25 mm från skenans undersida (skruven kan monteras i ett förborrat hål, Ø4,3 mm).
- Ø6,3x22 mm gängformande skruv (t.ex. Bufab/Swebolt R6B eller motsvarande), 10 mm från vardera skenände, 18 mm från skenans undersida.

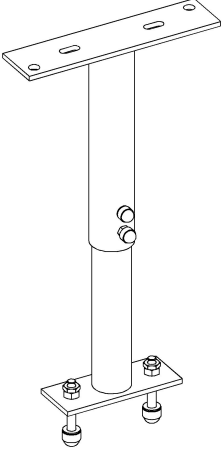
Åkvagnar

Typ		Beskrivning	Info
Lyftåkvagn		Lyftåkvagnen kan användas i både enkelskenssystem och traverssystem. Lyftåkvagnen används vid montering av taklyften Robin i skensystemet.	
Traversåkvagn		Traversåkvagnen används vid montering av traverssystem. I ett traverssystem behövs två traversåkvagnar.	
Åkvagn för förflyttning mellan rum		Åkvagnen för förflyttning mellan rum används när patienten måste förflyttas mellan två rum, i regel genom en dörröppning.	

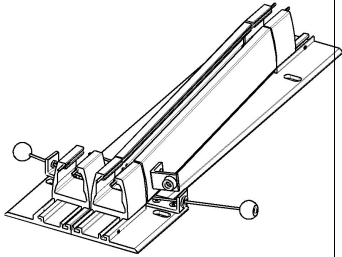
Ändlock till skena

Typ		Beskrivning	Info
Ändlock till skena S, M, L		Ändlock till skena finns för skenprofiler i tre storlekar. Färg: vit. Används vid förslutning av båda ändar på alla skenor. Montering: Tryck in ändlocken i skenan när du har slutfört monteringen av skensystemet.	

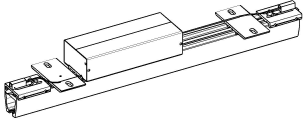
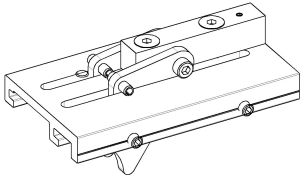
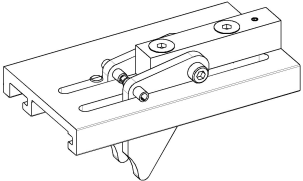
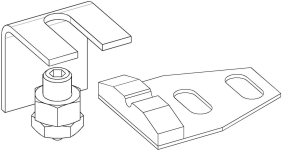
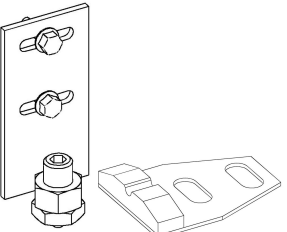
Pendlar

Typ		Beskrivning	Info
Pendlar, ställbara		Pendlar används om man behöver montera ett skensystem som är lägre än rummets takhöjd. Kan användas med både dolda och synliga fästelement. Storlekar (ställbar längd): <ul style="list-style-type: none"> • 200–300 mm • 280–460 mm • 440–740 mm 	Montering: Se 3.2.2 <i>Betongtak med undertak</i> , Sida 120

Spårväxel

Typ		Beskrivning	Info
Spårväxel, manuell		Spårväxeln manövreras manuellt och monteras med takfäste av standardtyp. Spårväxlar används i takmonterat enkelskensystem med profil S när man behöver byta riktning vid förflyttningen av patienten.	Montering: Se kapitel 3.9 <i>Montera spårväxlar, Sida126</i>

Transitkoppling

Typ		Beskrivning	Info
Transitkoppling		Transitkopplingen är elektriskt manövrerad och takmonteras med pendlar på båda sidor av väggen. Längd: 800 mm. Kopplingen används vid förflyttning av en patient från ett rum till ett annat. <ul style="list-style-type: none"> • i traverssystem med skenprofil S, m och L. • i enkelskensystem med endast skenprofil S. 	Manöverknapp (väggmonteras) och en transformator följer med i leveransen. Montering: Se kapitel 3.6 <i>Skarvning av skenor, Sida124</i>
Låsfästen för traversprofil S		Monteras på traversprofil i den skarvade änden. Fästet är till för att traversskenan och skarvskenan ska vara ordentligt anslutna innan patienten förflyttas mellan rummen.	
Låsfäste för traversprofil M/L		Monteras på traversprofil i den skarvade änden. Fästet är till för att traversskenan och skarvskenan ska vara ordentligt anslutna innan patienten förflyttas mellan rummen.	
Positioneringsfäste för parallellskena profil S		Monteras på parallellskenan nära transitkopplingen så att traversskenan placeras på rätt sätt i förhållande till kopplingen.	
Positioneringsfäste för parallellskena profil M/L		Monteras på parallellskenan nära transitkopplingen så att traversskenan placeras på rätt sätt i förhållande till kopplingen.	

3 Montering

3.1 Allmänna monteringsanvisningar

Vid montering av ett skensystem måste rummet mätas upp exakt. Det är viktigt att fastställa status för tak, väggar och golv så att man kan avgöra om skenorna ska vägg- eller takmonteras. Därefter måste du bedöma hur många lyftplatser som behövs i rummet.

Vid placering av lyftplatser ska du göra en individuell bedömning som tar hänsyn till brukarens kroppsbyggnad och antalet personal.

Följande placering av lyftplatser kan användas som riktlinje:

Säng	1 m från insidan av sängens huvudgavel
Toalett	150 mm från framkanten
Badkar	En tredjedel nedifrån (sittande ställning), hälften nedifrån (liggande ställning)
Bord för ombyte	1 m från bordets huvudända

Vid uppmätningen för skensystemet är det viktigt att avsätta lämplig plats för parkering av lyften när den inte används. Lämplig plats är till exempel intill en vägg där laddaren till lyften kan monteras på väggen.

Kontrollera de anpassade skenorna samt fästen och andra tillbehör så att de stämmer överens med skissen.

Kontrollera att metallspån har tagits bort från skenorna. Annars finns det risk att de fastnar i åkvagnens hjul så att hjulen låter eller inte fungerar som de ska.

Vid skarvning av enkelskenor och böjda skenor ska du använda de bifogade rörsprintarna.

1. Pressa in rörsprintarna till hälften i den ena skenan. Borra 3,2 mm hål i den andra skenan. Pressa på den andra skenan på rörsprintarna.
2. Tryck in skenan i sprintarna. Inga fler hål ska borras i den första skenan.
3. Montera fästet för skenskarv.

Vid montering av traverssystem, där parallellskenor löper från vägg till vägg måste avståndet från skena till vägg vara minst 60 mm. Montera traversåkvagnen och ändstoppet i parallellskenor innan dessa monteras. Om inte måste parallellskenor sluta minst 350 mm från väggen så att åkvagnen kan monteras i efterhand.

Vid montering av enkelskenor eller traversskenor i ett traverssystem är det viktigt att skenan i den ena änden slutar minst 160 mm från väggen så att lyftåkvagnen kan monteras i efterhand.

Vid eftermontering av Robin Mover ska avståndet vara minst 300 mm.

Om skenorna monteras med fästen direkt i taket måste du först kontrollera att taket är plant och vågrätt. (För att utjämna eventuella ojämnheter kan mellanläggsplåtar på 1, 3 respektive 5 mm användas.

Nyckelhål för monteringspunkten

Alla EC-track skensystem ska förberedas med en fästpunkt för montering av lyften.

Fästpunkten är en 32 mm, rund urfräsning på undersidan av den skena som lyften ska monteras i. Urfräsningen kallas nyckelhål.

Vid montering av skensystemet är det viktigt att fästpunkten placeras enligt anvisningarna nedan.

1. I regel gäller att nyckelhålet alltid placeras så nära skenans ände som möjligt. Men avståndet till skenans ände måste vara minst 250 mm.
2. Om skenan löper från vägg till vägg ska nyckelhålet placeras minst 400 mm från skenans ände.
3. Vid montering av traverssystem ska nyckelhålet placeras så nära traversskenas ände som möjligt. Men avståndet till skenans ände måste vara minst 250 mm. Om traversskenan löper från vägg till vägg ska nyckelhålet placeras minst 400 mm från skenans ände.

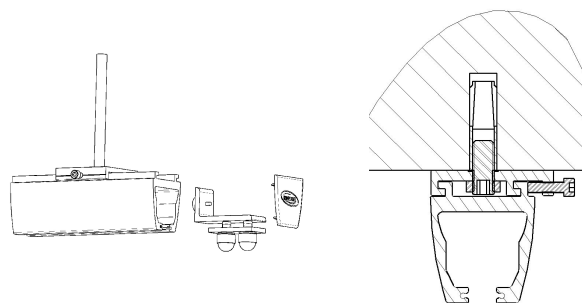
3.2 Takmonteringssystem

3.2.1 Betongtak

Vid montering i betongtak skiljer man på massiv betong (fabriksgjorda betongelement, förspända betongdäck, armerad betong) och håldäck.

Montering med snabbfäste för tak


Vid användning av snabbfästen för tak monteras samtliga takfästen i taket. Därefter monteras skenan i fästena. Minst tre fästen ska användas per skena. Följaktligen får det vara högst 700 mm mellan varje hållare. Det får vara högst 200 mm från skenans ände till första hållaren.



Mät ut samtliga hållare vid samma tillfälle. Hålen måste borras efter en rak linje. Den exakta uppmärkningen av hålen ska utföras med laserteknik, kritsnöre eller liknande.

Montering i massiv betong och håldäck:

1. Borra hålen med 15 mm slagborr till 54 cm djup. Blås rent hålen.
2. Slå in slagankare M12 i hålen (t.ex. Hilti HKD-S M12 eller motsvarande). Använd monteringsverktyg (t.ex. Hilti HSD-G M12x50 eller motsvarande) så att slagankaret sitter ordentligt fast i betongen.
3. Montera snabbfästet genom att skruva den förmonterade gängstången upp i slagankaret. Låsvätska måste appliceras på hållaren och muttern när gängstången monteras i hållaren.

 För maximal styrka ska gängstången skruvas minst 14 mm in i slagankaret.

Vid användning av slagankare i kombination med snabbfäste måste du vara mycket noggrann. Alternativt kan du använda tvåkomponents fästmassa för betong.

När samtliga hållare har monterats skjuter du in lyftåkvagnen i skenan. Lyftåkvagnen kan vändas åt båda håll. Om du ska montera en traversåkvagn i skenan är det viktigt att den är rättvänd i förhållande till den traversskena som ska användas.

Ett ändstopp monteras i vardera ände av skenan. Skjut in ändstoppet i skenan med gummipluggen först och skruva åt tillfälligt för hand.

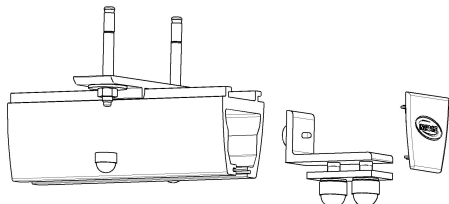
Lyft upp skenan, justera längden och skruva fast den i alla takhållare.


Montera de ställbara ändstoppen på rätt sätt och dra åt ordentligt. Ändstoppet måste monteras så att lyften inte går emot väggen.

Vid användning av parallellskenor i traverssystem måste ändstoppen placeras så att traversåkvagnarna träffar ändstoppen samtidigt.

Montering med standardfäste för tak


Takfästena ska skjutas på skenan och placeras med maximalt 2 m mellan varje fäste och maximalt 200 mm från det sista fästet till skenans ände. Minst tre fästen ska användas per skena. Om du ska montera skenan ensam bör du använda ett ojämnt antal fästen. Då kan du skapa jämvikt genom att hänga den första skruven i fästet mitt på skenan.



 I minst en av skenans ändar ska du skruva fast ett fäste med låsskruv.

1. Mät ut hålet för den ena expanderbulten på det mittersta fästet.
Borra hålet till cirka 80 mm djup med en 8 mm bit för slagborrmaskin. Hålet är djupare än expanderbultens längd för att underlätta demontering. Vid demontering kan du slå in bulten helt i hålet i stället för att dra ut den.
2. Slå i en expanderbult M8x75 (t.ex. Hilti HSA eller motsvarande). Lämna tillräckligt med utrymme för fästets tjocklek (6 mm), låsbrickan (2 mm) och muttern (7 mm) plus lite extra marginal. När du har slagit i bulten tar du bort muttern och brickan.
3. Skjut in lyftåkvagnen i skenan. Åkvagnen kan vändas åt båda håll.
4. Om du ska montera en traversåkvagn måste den vara rättvänd i förhållande till den traversskena som ska användas.
5. Montera ändstopp i vardera ände av skenan. Montera de ställbara ändstoppen i skenan med gummiproppen först och stålplåten mot skenans undersida. Dra åt skruvarna för hand.

6. Lyft skenan på plats. Montera brickorna och muttrarna och dra åt lite lätt. Justera skenan i längsgående och diagonal riktning. Dra åt muttern.
7. Borra hålet till fästet i skenans ena ände men på motsatt sida av skenan. Slå i expanderbulten, finjustera och dra åt.
Borra sedan de återstående hålen i ena ytterläget av hålet i fästet. Om borret går mot ett armeringsjärn innan hålet är 50 mm djupt provar du att borra i det andra ytterläget. Om borret går emot ett armeringsjärn på nytt ska du flytta fästet cirka 20–25 mm längs skenan. På så vis döljer fästet de misslyckade hålen.

 Om hålets djup är mellan 50 och 70 mm ska du använda en expanderbult M8x57.

8. Slå i de återstående expanderbultarna, sätt fast brickorna och muttrarna och dra åt.
9. Sätt de ställbara skenstoppen på plats och dra åt. Se till att placera ändstoppen så att lyften inte går emot väggen.
Vid montering av parallellskenor i traverssystem ska du se till att ändstoppen placeras likadant så att traversåkvagnen träffar ändstoppen samtidigt.

3.2.2 Betongtak med undertak

Om rummet har ett undertak som inte enkelt kan plockas ned rekommenderas en lösning där skenan monteras med väggfäste eller väggstolpar.

Om undertaket går att ta ned, eller om ett nytt fast undertak ska läggas, är montering med ställbara fästen den mest estetiska lösningen. Om du väljer den lösningen ska du använda den minsta skenprofilen S.

Pendelmontering

Vid takmontering behöver man ibland pendla ned skenan. Detta kan vara fallet dels i rum med undertak där skenan ska hänga mellan det riktiga taket och undertaket, dels vid höga takhöjder där pendelmontering behövs för att lyftens lyftområde ska kunna utnyttjas maximalt.

Pendelmontering kan utföras med olika metoder:

A – Pendelmontering med gängstång och avståndsrör som anpassas på plats. Montering med den metoden beskrivs i det här avsnittet.

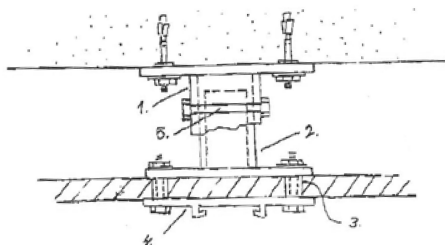
B – Montering med ställbara pendlar. Pendeln har en överdel och en underdel. Genom att överdelen skjuts utanpå underdelen kan pendelns längd justeras inom ett bestämt intervall. Pendlarna finns med följande standardintervall:

- 200–300 mm
- 280–460 mm
- 440–740 mm

Efter att ha fastställt rätt pendellängd för monteringen drar du ut pendeln till den längden och spänner fast med en skruv. Borra därefter ett hål för en bult M8x65 genom båda delarna så att pendeln låses i rätt längd.


Pendelns överdel ska monteras i taket enligt anvisningarna i kapitel 3.2.1 *Betongtak, Sida 119* och 3.2.3 *Trätak, Sida 122* på samma sätt som vid montering med standardfäste.

Pendelns underdel ska monteras i takfästet som på bilden nedan.



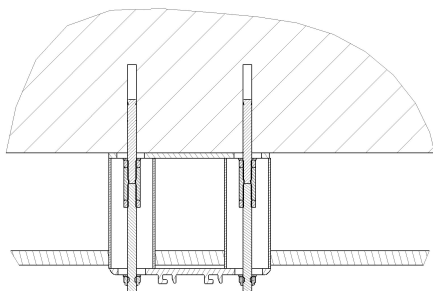
- 1. Pendel, överdel
- 2. Pendel, underdel
- 3. Avståndsror genom undertak, $\varnothing 15$
- 4. Takfäste, standardtyp
- 5. Genomgående låsbult, M8x65

Pendeln kan också levereras med fasta mått så att den inte behöver justeras på plats.

 Tänk på att beställa takfästen tillsammans med pendeln.

Plockbart undertak

Om undertaket är plockbart går det att komma åt utrymmet ovanför undertaket. Då kan pendelfästen och skena installeras samtidigt.




- Betongtak.
- Expanderskruv M8x75, 2 st.
- Ok (stålplatta för plan anliggningsyta), 1 st. 3 mm.
- Mutter M8, 4 st.
- Skarvmutter M8, 2 st. (samlingshylsa).
- Låsmutter M8, 2 st.
- Aluminiumrör $\varnothing 40$, 2 st.
- Takfäste (standardtyp), 1 st.
- Plockbart undertak.
- Gångstång M8, 2 st.
- Spännbricka, 2 st. 11x35x2.

(Alternativt kan stängerna fästas direkt i ett HKD-ankare).

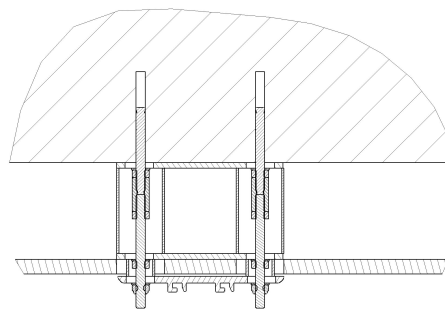
1. Rätt längd på pendelfästena får du genom att mäta avståndet mellan betongtaket och undertakets undersida. Utifrån det avståndet kan du fastställa längden på pendelröret och gångstången. Längden ska vara lika med det avstånd som du mätte upp ovan.
2. Vid monteringen ska du börja med att sätta upp oket för det mittersta takfästet. Detta görs enligt anvisningarna för montering direkt i betongtaket. Skillnaden är att hålen för båda expanderskruvarna borras direkt.
3. När expanderskruvarna dragits ska cirka 15 mm sticka ut under muttern så att skarvmuttern kan skruvas på till halva dess längd. Motspänn skarvmuttern mot expanderskruvens mutter. Mät ut hålet i undertaket och borra eller skär upp detta med diametern 40 mm.

4. Skruva fast en mutter M8 på gångstången (cirka 20 mm in) och skruva upp stången i skarvmuttern tills den bottenar mot expanderskruven. Motspänn muttern.
5. När monteringen är klar trycker du upp de båda aluminiumrören i hålen. Skenan skruvas fast enligt de vanliga anvisningarna.

 Avståndet mellan undertak och takfäste ska vara minst 1–5 mm, annars finns det risk för skador på undertaket.

Fast undertak

Vid fast undertak måste skenorna monteras i två steg. Det ställbara fästet måste därför monteras utan hjälp av takfästet.




- Betongtak.
- Expanderskruv M8x75, 2 st.
- Ok (stålplatta för plan anliggningsyta), 2 st. 3 mm.
- Mutter M8, 6 st.
- Skarvmutter M8, 2 st.
- Låsmutter M8, 2 st.
- Aluminiumrör $\varnothing 40$, 2 st.
- Avståndsror $\varnothing 20$ (eller mutter och skruv), 2 st.
- Takfäste (standardtyp), 1 st.
- Undertak.
- Gångstång M8, 2 st.
- Spännbricka, 2 st.

(Alternativt kan stängerna fästas direkt i ett HKD-ankare).

1. Kapa pendelröret till en längd som är lika med avståndet mellan betongtaket och undertakets undersida minus 50 mm. Den längden är lämplig för tak med dubbla gipslager och med en säkerhetsmarginal på 12 mm.
2. Kapa gångstången till en längd som är lika med avståndet mellan betongtaket och undertakets undersida minus 10 mm.
3. Vid monteringen ska du börja med att sätta upp det övre oket för det mittersta fästet. Oket monteras enligt anvisningarna för montering direkt i betongtak. Skillnaden är att båda hålen för expanderskruvarna borras direkt.
4. När expanderskruvarna dragits ska cirka 15 mm sticka ut under muttern så att skarvmuttern kan skruvas på till halva dess längd. Motspänn skarvmuttern mot expanderskruvens mutter.
5. Skruva fast en mutter cirka 20 mm in på gångstången och skruva upp gångstången i skarvmuttern tills den rör vid expanderskruven. Motspänn muttern.

6. Sätt upp det nedre oket och spänn fast med muttrar.

 Se till att det inte kommer färg på gängskruvarnas nederdel innan monteringen är klar.

7. Fortsätt med monteringen av resterande fästen efter att ha mätt ut dem noggrant.

Efter detta är första steget av monteringen klart och undertaket kan byggas färdigt.

Vid slutmonteringen ska du sätta upp avståndsroret i undertaket. Röret är till för att skydda undertaket. Kapa röret till en längd som ger ett avstånd på 1–5 mm mellan undertakets undersida och monteringsbeslagets ovasida.

3.2.3 Trätak

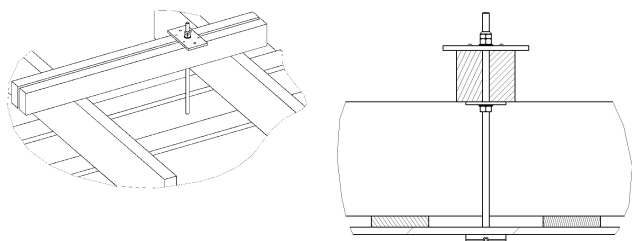


FÖRSIKTIGT!

- Skenan får inte monteras i trätak med spännskruv, t.ex. fransk träskruv.
- Skenan får inte monteras i trätak med vanlig träskruv utan föregående riskbedömning.

Snabbfäste

I vissa fall kan monteringen i bjälklag vara ett alternativ till vägg- eller golvmontering.



Förutsättningen är att takbjälklaget är åtkomligt uppifrån. Vid monteringen i takbjälklag ska avvaxling utföras som förstärkning. Det är viktigt att avvaxlingsbjälkarna är rätt avpassade för avståndet mellan de båda takstolarna för tillräcklig bärförmåga. När du har mätt ut alla takfästen i taket ska du kontrollera att det finns tillräcklig vind för monteringen. Borra hål med 12,5 mm i diameter genom takmaterialet. Därefter kan du lokalisera hålen ovanifrån, förbereda dem för avvaxlingarna och mäta hur långa gängstänger som behövs. Avvaxlingen ska sträcka sig över minst två takstolar på vardera sida om upphängningspunkten. Vid användning av avvaxling ska två balkar på 45x95 mm placeras parallellt 14 mm från varandra med utrymme för en gängstång M12 däremellan. Som riktmärke för gängstångens längd används takstolens höjd+höjd på avvaxlingsbjälken+takmaterial+60 mm till bricka och muttrar.

Placera den avpassade gängstången mellan avvaxlingsbjälkarna. Sätt en bricka och mutter på gängstången innan du för den vidare genom taket. Fäst med en aluminiumplatta, spännbricka och mutter över avvaxlingsbjälken. Aluminiumplattan skruvas i avvaxlingsbjälken ovanifrån. Låt cirka 25 mm gängstång sticka ned under takmaterialet. Därefter kan du skruva ett snabbfäste på gängstången under takmaterialet. Takfästet ska fästas med en låg mutter M12. Gängstången ska skruvas helt genom muttern men får inte gå längre än till hållarens underkant.

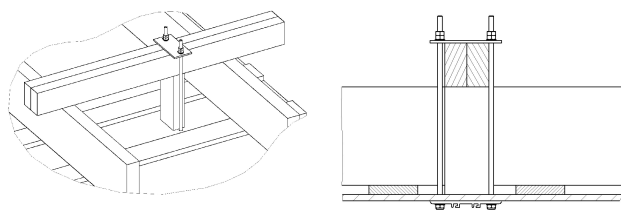
Vid monteringen av fäste och mutter är det viktigt att använda låsvätska på både fäste och mutter. När alla fästen

har monterats lyfter du upp skenan, justerar längden och spänner fast. Innan skenan spänns fast i taket uppifrån ska du kontrollera att avvaxlingsbjälken vilar mot båda takstolarna. Om inte måste du placera något däremellan.

Därefter ska du försiktigt spänna muttern på avvaxlingsbjälken tills fästet ligger plant mot takmaterialet. Du får inte dra åt så mycket att takmaterialet dras upp mellan takstolarna. Efter detta ska du sätta en stålplatta omkring gängstången under avvaxlingsbjälken. Lås läget genom att spänna muttern.

Till sist monterar du en låsmutter mot muttern på avvaxlingsbjälkens ovasida. Åkvagnar, ändstopp och ändlock till skenan monteras enligt anvisningarna i avsnitt 5.2.1.

Standardfäste



- Gängstång M10, 2 st.
- Mutter M10, 4 st.
- Ok, 1 st.
- Regelvirke 45x90x1 500 mm, 2 st.
- Bjälklag.
- Undertak/tak.
- Takfäste, 1 st.
- Låsmutter M10, 2 st.
- Bricka, 2 st. 11x35x2.

I vissa fall kan monteringen med genomgående skruvar vara ett alternativ till vägg- eller golvmontering.

Förutsättningen är att takbjälklaget kan nås från ovasidan. Detta är vanligt i enplanshus. Som förstärkning i takbjälklaget placeras avvaxlingar 45x95 mm på högkant.

I stället för expanderskruvar används en gängstång M10 i lämplig längd. Ovanpå avvaxlingarna vilar en monteringsplatta (ok).

Avvaxlingen måste vila på takstolen på båda sidor om upphängningen. Om detta inte är möjligt måste avvaxlingen förankras ordentligt så att den inte tippas vid belastning.

I trätak behöver antalet infästningar inte vara minst tre per skena som i betongtak. Här bestäms antalet infästningar i stället av skenans maximala infästningsavstånd.

Övriga delar av monteringen utförs på samma sätt som vid monteringen i betongtak. Skillnaden är att båda hålen för mittfästet (standardfästet) borraras direkt.

Kapa gängstångerna till lämplig längd. Skruva på brickorna och låsmuttern M10.

Skruva i gängstångerna från undersidan och upp genom oket. Fäst oket ovanifrån vid avvaxlingarna med spik och skruv.

Innan skenan spänns fast i taket ovanifrån ska du kontrollera att avvaxlingsbjälken vilar på två takstolar. Om inte måste du placera något däremellan.

Skruva åt muttrarna försiktigt så att inte undertaket skadas.

3.3 Vägghäring – ändhängd skena

Följande riktlinjer är endast rekommendationer. Alternativt kan man använda andra expanderskruvar med samma grovlek och kvalitet. Följ alltid tillverkarens rekommendationer.

Vid frihängande montering kan skenänden förankras i väggen med väggfästen eller golvstolpar. Använd golvstolpar om du inte är säker på väggmaterialets bärförmåga. Vid frihängande montering måste du ta hänsyn till den maximala skenlängden för respektive skenprofil. Avståndet mellan väggarna får vara högst 2 m för skenprofil S, 4 m för skenprofil M och 8 m för skenprofil L.


Om du behöver montera eller demontera en lyftåkvagn efter monteringen måste avståndet från vägg till skena vara minst 160 mm. Vid eftermontering av Robin Mover måste avståndet vara minst 300 mm. Om du behöver montera eller demontera en traversåkvagn efter monteringen måste avståndet från vägg till skena vara minst 350 mm. (Avståndet från skena till vägg måste alltid vara minst 60 mm. Vid användning av väggmonterad skenprofil S går det inte att montera eller demontera en åkvagn efter monteringen.

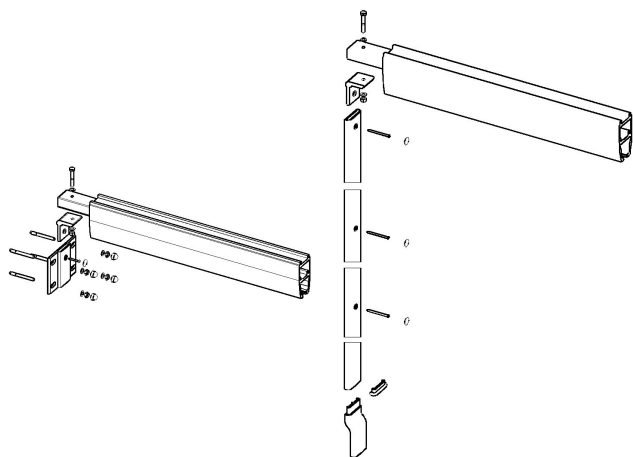
3.3.1 Skenprofil M och L

Vid montering av väggfästen eller väggstolpar ska det finnas ett avstånd mellan taket och överkanten av väggfästet eller stolpen. Avståndet ska vara minst:

- 80 mm för skenprofil M
- 150 mm för skenprofil L

Vid användning av väggstolpar ska du kapa stolpen till lämplig längd i golvänden.

 Tänk på att det måste finnas plats för golvstolpens fot.



Om det finns golvlistor kan du antingen använda den höga stolpfoten eller såga ur en bit av golvlistan.

Väggstolpen ska alltid monteras intill väggen i sin fulla längd.

Märk ut hålen med hjälp av vattenpass och borra hålen.

Betongvägg

Vid montering av frihängande skena i betongvägg ska monteringen ske med hjälp av väggfäste.

Vid montering rekommenderas antingen expanderskruv M10x68 (t.ex. Hilti HSA eller motsvarande), minsta borrhjup 60 mm, Ø10 eller ankarmassa (t.ex. Hilti HIT-HY 150 och HAS M10 eller motsvarande), minsta borrhjup 95 mm, Ø12 (vid montering i våtutrymme, använd rostfritt stål kvalitetsklass A4-70).

Tegelvägg

Vid montering i tegel ska vanliga väggfästen användas. Om tegelväggen är mycket porös rekommenderas i stället montering med golvstolpe.

Vid montering i massivtegel rekommenderas ankarmassa (t.ex. Hilti HIT-HY 50 och HAS M10 eller motsvarande), minsta borrhjup 90 mm ½ tegelsten och 170 mm 1/1 tegelsten, Ø12 (vid montering i våtutrymme, använd rostfritt stål kvalitetsklass A4-70).

Vid montering i håltegel rekommenderas antingen förankringsskruv med plugg (t.ex. Hilti HRD UGT eller motsvarande), minsta borrhjup 80 mm, Ø10 eller ankarmassa (t.ex. Hilti HIT-HY 20 och HAS M10 eller motsvarande), minsta borrhjup 95 mm, Ø16.

Vid montering i poröst tegel rekommenderas ankarmassa (t.ex. Hilti HIT-HY 50 och HAS M10 eller motsvarande), minsta borrhjup 90 mm ½ tegelsten och 170 mm 1/1 tegelsten, Ø12. Vid användning av väggmontering med stolpar ska du använda HAS M8, minsta borrhjup 80 mm, Ø10.

Lättbetong

Vid montering i lättbetong kan du använda antingen väggfäste eller väggstolpe beroende på väggförhållandena. Vid montering rekommenderas ankarmassa (t.ex. Hilti HIT-HY 50 och HAS M10 eller motsvarande), minsta borrhjup 90 mm, Ø12 (M8 vid montering av väggstolpe).

Det går även att använda en förankringsskruv för lättbetong (t.ex. Hilti HGN, HUD-1 10L eller motsvarande), minsta borrhjup 90 mm, Ø10/HUD-1 8L, minsta borrhjup 80 mm, Ø8.

Gipsvägg

Se även kapitel 3.7 *Väggstolpar*, Sida 125

1. Slutför monteringen av väggfästet eller väggstolpen med konsol, väggstolpfot och ändlock som täcker skruvhålen.
2. Skjut in lyftåkvagnen eller traversåkvagnen i skenan. Lyftåkvagnen kan vändas åt båda håll men traversåkvagnen måste vara rättvänd i förhållande till traverssystemet.
3. Montera ändstopp i skenans båda ändar och dra åt för hand.
4. Stick in insticksröret i skenan. Hålet i röret måste vara vänt utåt.
5. Håll fast insticksröret medan du lyfter skenan så att inte röret glider in i skenan.
6. Montera insticksröret på konsolen vid väggfästet eller väggstolpen.
7. Justera skenan i längsgående riktning till rätt avstånd mellan vägg och skena.
8. Överlappningen mellan skena och insticksrör måste vara minst 300 mm. Kontrollera överlappningen genom inspektionshålet på sidan av skenan. Inspektionshålet sitter exakt 300 mm från skenans ände.

9. När skenan sitter på rätt sätt ska du borra ett hål 7 mm i diameter genom skenan och insticksröret, cirka 100 mm från skenans ände. Skruva fast skenan med genomgående skruv M6 med låsmutter.
10. När skenan är på plats flyttar du ändstoppet till rätt läge. Se till att lyften inte slår i väggen när du flyttar ändstoppet. Vid användning av traverssystem ska du se till att de båda traversåkvagnarna träffar ändstoppet samtidigt.

Diagonal väggmontering

Skenan kan monteras diagonalt genom rummet. Skenan får vinklas i högst 45°.

Monteringen utförs enligt anvisningarna för vanlig väggmontering med eller utan väggstolpe. Skillnaden är att insticksröret är förberett för diagonal montering.

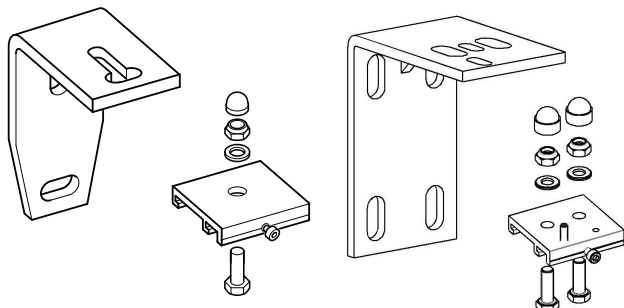
3.4 Väggmontering – sidohängt fäste eller sido-/ändhängt fäste

Vid sidohängd montering av ett skensystem kan parallellskenorna monteras nära väggen.


Vid sidohängd montering av ett skensystem måste väggens bärförmåga vara så stor att inga väggstolpar behövs.

Vid montering av profil S får avståndet mellan infästningarna vara högst 2 000 mm och minst tre punkter måste användas.

Vid montering av profil M får avståndet mellan infästningarna vara högst 4 000 mm och minst tre punkter måste användas.



Avståndet mellan väggarna måste mätas på rätt sätt, på rätt höjd och plats i systemet. Väggfästet kan justeras +/-6 mm. Om större justeringar behövs ska du använda en platta på 6 mm mellan fästet och väggen.

 Slutresultatet påverkas av parallelliteten mellan vägg och skena. Var noggrann.

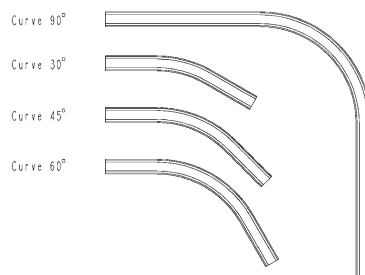
Måtten för traverssystemet motsvarar rummets uppmätta storlek, minus 206 mm (vid förhöjd montering) och 62 mm (vid underhängd montering).

Kom ihåg att rummet måste mätas noggrant och att vissa justeringar kan behövas på grund av att väggarna är ojämna.

Väggmonteringen beror på hur väggen är beskaftad. Följ alltid rekommendationerna i kapitel 3.3.1 *Skenprofil M och L, Sida 123* När väggfästena och de båda parallellskenorna har monterats ska du följa anvisningarna i avsnitt 3.8 *Montera traverssystemet, Sida 125*

3.5 Kurvor

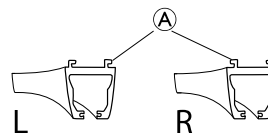
Följande kurvor finns:



- Kurva 30° 0,2+0,2 m rak ände
- Kurva 45° 0,2+0,2 m rak ände
- Kurva 60° 0,2+0,2 m rak ände
- Kurva 90° 0,6+0,6 m rak ände

Samtliga kurvor har en radie på 400 mm.

Kurvbanorna finns med högersväng och vänstersväng. Det är särskilt viktigt att skilja på höger- och vänsterkurvor när flera kurvor ingår i skensystemet.



- Vänsterkurva (L): Monteringstapparna Ⓐ pekar utåt från kurvan.
- Högerkurva (R): Monteringstapparna Ⓐ pekar inåt mot kurvan.

Kurvorna skarvas med raka skenor med hjälp av rörsprintar och skarvfästen med låsskruvar.

Fästenas placering på kurvorna

Kurva 30° 0,2+0,2 m rak ände: Ett skarvfäste i vardera ände om kurvan skarvas med rak skena.

Kurva 45° 0,2+0,2 m rak ände: Ett skarvfäste i vardera ände om kurvan skarvas med rak skena och ett smalt fäste mitt på kurvan.

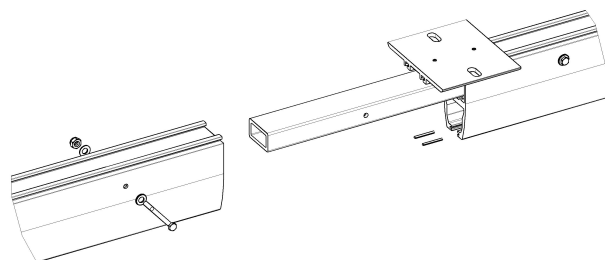
Kurva 60° 0,2+0,2 m rak ände: Ett skarvfäste i vardera ände om kurvan skarvas med rak skena och ett smalt fäste mitt på kurvan.

Kurva 90° 0,6+0,6 m rak ände: Ett skarvfäste om kurvan skarvas med rak skena och ett smalt fäste mitt på kurvan.

Monteringsanvisningar för kurvor finns i avsnitt 5.2.1.1 och avsnitt 5.2.1.2.

3.6 Skarvning av skenor

3.6.1 Skarvning av skenor för profil M och L



Material vid skarvning av skenor:

- Skenprofil M 1.
- Skenprofil M 2.
- Insticksrör (för profil M).
- Skarvfäste (snabbfäste eller standardtyp).
- Rørsprintar.
- Stoppskruv.
- Bult M6.
- Bricka.
- Låsmutter M6.

Skjut in insticksröret till hälften i skenprofil 1 och dra åt med en genomgående bult. Borra hål upp till 3,2 mm för rørsprintarna i skenprofil 2 med ett djup som motsvarar halva rørsprintens längd. Slå in rørsprintarna till hälften i skenprofil 1 och kläm ihop dem i änden.

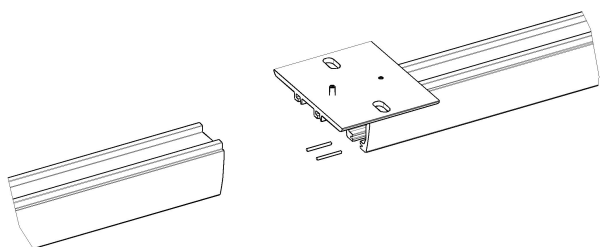
Skjut på skarvfästet till hälften på skenprofil 1 och dra åt med stoppskruven.

Skarvfäste behövs endast vid takmontering av skenan. Om du skarvar en traversskena behövs inte något skarvfäste. Tryck ihop skenprofil 2 och 1. Lås fast dem med låsskruven i skarvfästet och den genomgående bulten.

Montera den skarvade skenan enligt monteringsanvisningarna för raka skenprofiler, se avsnitt 5.2.

Vid skarvning av långa skenor kan det vara svårt att lyfta den skarvade skenan i ett stycke. I sådana fall kan du först montera den första skenan i taket. Lyft sedan upp den andra skenan som har förberetts för skarvning och skjut ihop skenorerna.

3.6.2 Skarvning av skenor för profil S



Material vid skarvning av skenor:

- Skenprofil 1
 - Skenprofil 2
 - Skarvfäste (snabbfäste eller standardtyp)
 - Rørsprintar
 - Stoppskruv
1. Borra hål upp till 3,2 mm för rørsprintarna i skenprofil 2 med ett djup som motsvarar halva rørsprintens längd.
 2. Slå in rørsprintarna till hälften i skenprofil 1 och kläm ihop dem i änden.
 3. Skjut på skarvfästet till hälften på skenprofil 1 och dra åt med stoppskruven.
 4. För in spårprofil 2 i skarvfästet och skjut ihop de båda skenorerna.
 5. Dra åt stoppskruven på spårprofil 2.
 6. Montera de skarvade skenorerna enligt monteringsanvisningarna för raka skenprofiler.

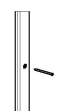
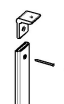
! VIKTIGT!

Vid skarvning av långa skenor kan det vara svårt att lyfta upp den skarvade skenan i ett stycke. – I sådana fall kan du först montera den första skenan i taket. Lyft sedan upp den andra skenan som har förberetts för skarvning och skjut ihop skenorerna.

3.7 Väggstolpar

Väggstolpar används vid montering i gipsvägg och väggar av andra lätta skivmaterial.

- Väggstolpe (anpassa längden).
- Stödkonsol.
- Väggstolpfot.
- Täckplugg av plast.
- Skruvar M6.



Väggstolparna kapas till rätt längd i den ände som ska vara vänd mot golvet.

Vid mätning av väggstolpens längd måste det finnas ett minsta avstånd mellan fästets ovansida och taket.

Minsta avstånd:

- Profil M: minst 80 mm
- Profil L: minst 150 mm

Montera väggstolpen på väggen med tre skruvar. Använd skruvar $\varnothing 6$ mm. Vilka skruvar som ska användas beror på väggmaterialet.

- i Vid montering i gips rekommenderas förankringsskruv för poröst material (t.ex. Hilti HGA eller motsvarande).

Om det finns golvlister kan du antingen använda den höga stolpfoten eller såga ur en bit av golvlisen.

! VIKTIGT!

- Tänk på att det måste finnas plats för väggstolpens fot.
- Väggstolpen ska alltid monteras direkt mot väggen i sin fulla längd.

3.8 Montera traverssystemet

Parallelskenorna tak- eller väggmonteras enligt anvisningarna i tidigare avsnitt enligt de befintliga monteringsförhållandena.

Oavsett om parallelskenorna monteras med snabb- eller standardfäste är det viktigt att parallelliteten inte avviker mer än ± 2 mm.

Vid montering av parallelskena måste du ta hänsyn till om en åkvagn ska kunna monteras i efterhand. Om inte kan skenorerna löpa hela vägen fram till väggen (avståndet mellan skenan och väggen måste vara minst 60 mm). I sådana fall är det viktigt att skjuta på åkvagnen och ändstoppet på skenan innan du monterar skenan. Om det


ska gå att montera en åkvagn vid ett senare tillfälle måste det vara minst 350 mm mellan skenans ände och väggen.

Tänk på att ändstopp på parallellskenor måste placeras så att de båda traversåkvagnarna träffar ändstoppen samtidigt.

Avståndet mellan två parallellskenor mäts alltid från mittpunkt till mittpunkt på skenorna.

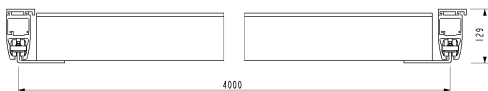
För traverssskena gäller i regel nedanstående mått för fritt utrymme och största överhäng för respektive skena.

- Skenprofil S: fritt utrymme max 2 m, överhäng max 200 mm
- Skenprofil M: fritt utrymme max 4 m, överhäng max 200 mm
- Skenprofil L: fritt utrymme max 8 m, överhäng max 400 mm

 Vid delvis förhöjd montering av en skena gäller alltid överhänget för profil S.

Vid montering av traverssskena finns tre möjliga metoder:

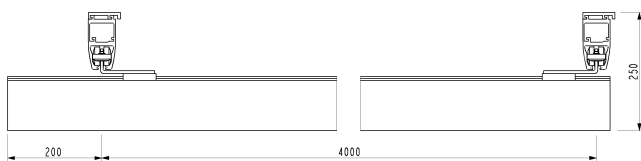
Traverssskenan är förhöjd



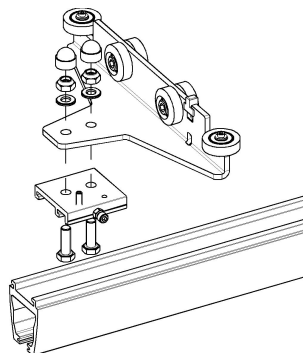
Måttet för traverssskenan är alltid avståndet mellan de båda parallellskenorna minus 86 mm.

Vid förhöjd montering av traverssskenan monterar du lyftåkvagnen på traverssskenan och monterar provisoriskt ett ändstopp i vardera ände av traverssskenan. Tänk på att gummipluggen på ändstoppet alltid ska peka inåt mot lyftåkvagnen. Lyft upp skenan ovanpå traversåkvagnen och passa in ändstoppets båda bultar efter hålen på traversåkvagnen. Dra åt med bricka och låsmutter. Innan du skruvar åt skenan måste du kontrollera att avståndet mellan traverssskenan och parallellskenorna är lika i båda ändar. När du har satt fast skenan ska du montera täckpluggar på låsmuttrarna och i skenorna.

Traverssskenan är underhängd



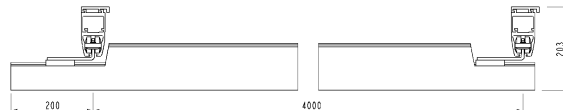
När du har monterat parallellskenorna och traversåkvagnarna och har monterat ändstoppen och dragit åt ska du montera snabbfästen för travers på traversåkvagnens undersida som på bilden.



Oavsett hur traversåkvagnarna är vända måste de båda snabbfästena peka åt samma håll, annars går det inte att montera skenan.

Montera traverssskenan åt rätt håll i längsgående riktning och skruva fast den i snabbfästet med insexskruven. Lås skenan med en pinolskriv som skruvas ned i snabbfästet ovanifrån så långt det går.

Traverssskenan är delvis förhöjd

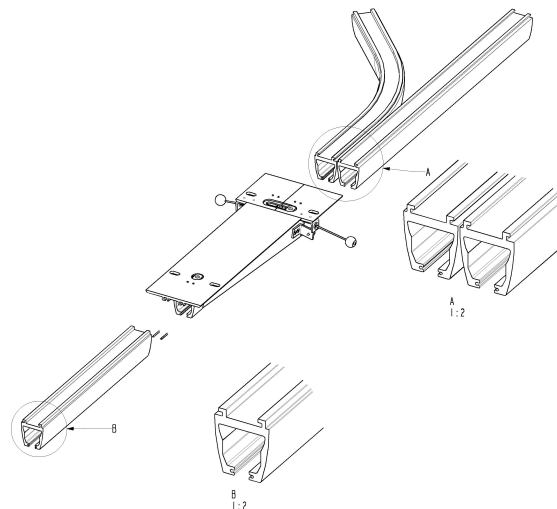


Vid delvis förhöjd traverssskena används samma monteringsprincip som vid underhängd traverssskena. Skenan levereras tillskuren så att snabbfästet kan monteras på skenans mittersta upphängningspunkt.

Tänk på att du måste bestämma om det ska gå att eftermontera en åkvagn innan du monterar traverssskenan.

3.9 Montera spårväxlar

Spårväxlar används när man behöver byta riktning vid förflyttningen av patienten. Spårväxeln manövreras manuellt. Genom att skarva spårväxeln med både raka och böjda skenor kan man få olika kombinationer.



Spårväxeln kan endast användas i kombination med takmontering och skenor med profil S. Spårväxeln är avsedd för takfäste av standardtyp.

När du beställer eller monterar ett enkelskensystem med raka eller böjda skenor måste du tänka på åt vilket håll spårväxeln monteringsstapp är riktad. Det finns endast en standardtyp av spårväxel. Se bilden.

Information om montering i betongtak finns i kapitel 3.2.1 *Betongtak, Sida 119* (standardfästen) och kapitel 3.6.2 *Skarvning av skenor för profil S, Sida 125*

Vid skarvning av skenorna gör man ett nytt spår i skenan. Spårväxeln levereras med ett sådant spår och de rörsprintar som behövs medföljer i leveransen. När du monterar skenorna på spårväxeln ska du dra åt de förmonterade låsskruvarna på spårväxeln. Se bilden. Kontakta Invacare® för mer information om du behöver montera spårväxeln i andra typer av tak eller i kombination med pendlar.

**VIKTIGT!**

- Efter monteringen måste du kontrollera att spårväxeln fungerar och att ändstoppen sitter ordentligt på plats.

3.10 Transitkoppling

Transitkopplingen används i situationer där man behöver förflytta en person mellan rum med endast en Robin-motor. Kopplingen manövreras elektriskt.

Transitkopplingen kan monteras i olika kombinationer av skensystem. Den kan monteras mellan två traverssystem eller ett traverssystem och ett enkelskenssystem.

Kopplingen levereras i en standardlängd på 800 mm och kan användas vid väggjocklekar på upp till 170 mm. Transitkopplingen levereras med en manöverknapp, ett nätaggregat med två meter kabel (som måste anpassas vid monteringen) och en bruksanvisning.



Om du behöver använda transitkopplingen i situationer med större väggjocklek än 170 mm ska du kontakta Invacare®.

När du beställer en transitkoppling måste du beställa låsfästen för skenorna i både rum 1 och 2. Information om skarvning med enkelskenssystem finns i avsnitt 5.5 om skarvning av skenor. Pendlar för monteringen levereras inte med transitkopplingen. Pendlarna måste beställas separat i rätt längd för kopplingen.

Rekommenderad montering:

1. Transitkoppling
2. Travers-/enkelskenssystem
3. Placera ut fästena
4. Slutprovning – funktions- och belastningstest

3.10.1 Anpassa hålet i väggen/dörrkarmen

**FÖRSIKTIGT!**

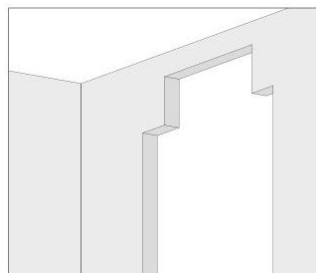
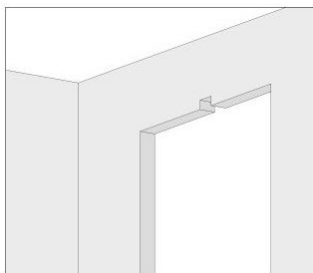
- Innan du gör hål i väggen ska du kontrollera att väggen inte är bärande.

Hålet måste placeras precis i mitten av dörrkarmen:

Om enbart skenan ska passera genom väggen måste hålet vara minst 73 mm högt och 65 mm brett.

Om ytterligare lyfthöjd behövs måste hålet vara större.

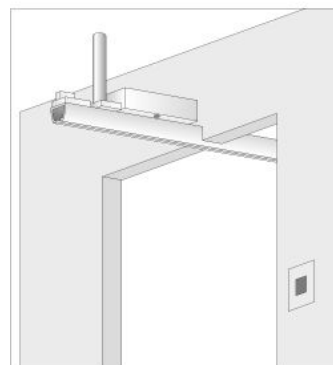
Om hålet är högre än 80 mm måste det vara minst 600 mm brett så att taklyften kan passera.



Det bästa är om transitkopplingen kan tas med i beräkningen redan när huset byggs. Då kan dörröppningen byggas med optimal lyfthöjd.

3.10.2 Montera transitkopplingen

Transitkopplingen levereras med monterad motorbox, fästen till pendlar och låsfästen. Vid leveransen är transitkopplingen förberedd så att hela motorboxen placeras i det ena rummet efter monteringen.



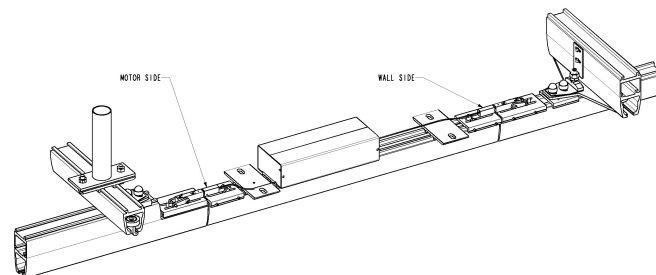
Placeringen av motorboxen och låsfästena får inte ändras med hänsyn till funktionssäkerheten. Placeringen av fästena till pendlarna kan ändras i den omfattning systemet tillåter. Se måttskissen nedan.



Väggjockleken måste kontrolleras i förväg.

När kopplingen ska monteras är det viktigt att motorboxen placeras som planerat eftersom hela skensystemet är tillpassat efter motorboxens placering.

Anvisningar för pendelmontering finns i kapitel 3.2.2 *Betongtak med undertak, Sida 120*



Mer information finns i måttskissen nedan.

Transitkopplingen måste monteras med hjälp av pendlar. Därför går det bara att montera kopplingen om takmontering är möjlig.

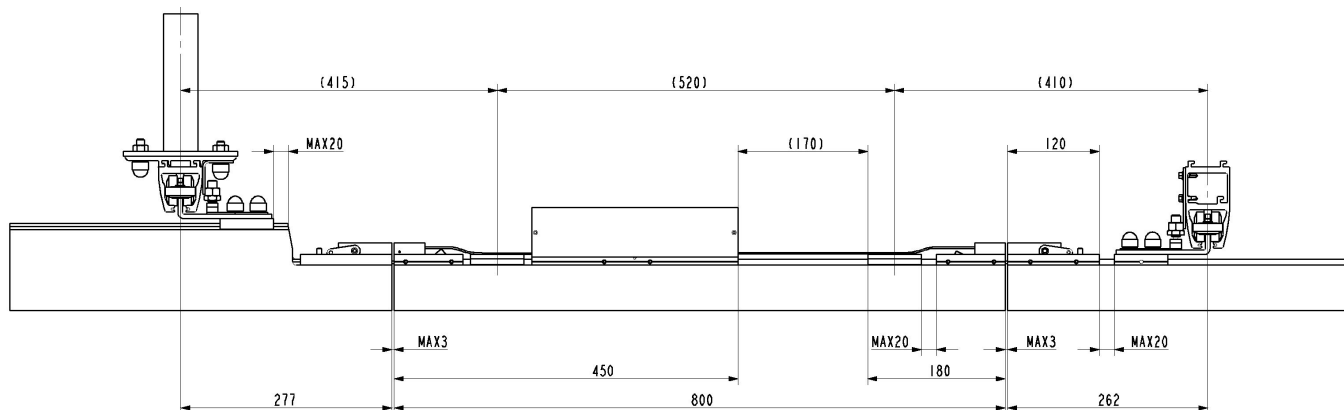
Bäst resultat får man vid montering i betongtak.

Vid montering genom trätak är det viktigt att traverssystemet och kopplingen monteras med lika stor nedböjning och minimal böjning.

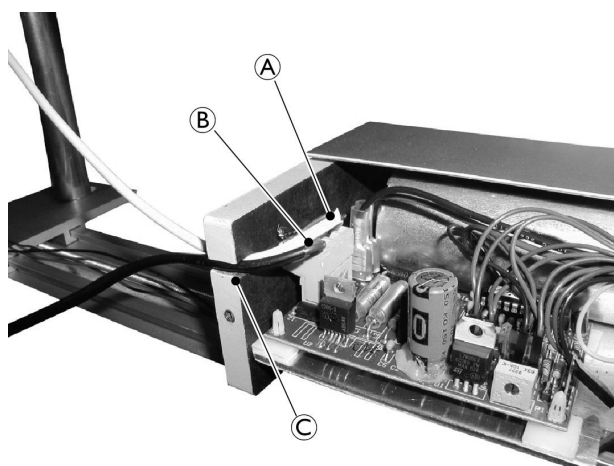
Vid behov av förstärkning i trätakskonstruktioner måste förstärkningen vara en sammanhängande konstruktion mellan skensystemet och transitkopplingen.

Pendlarna får inte monteras i varsin upphängning. Detta kan medföra att transitkopplingen och traverssystemet inte får samma nedböjning och därför inte fungerar optimalt.

Måttskiss för transitkoppling



3.10.3 Montera och ansluta manöverknapp och nätaggreat



Innan du ansluter manöverknappen och nätaggreatet måste du ta bort kåporna från motorboxen. Ta bort kåporna genom att lossa de båda skruvar som håller fast kåporna. Dra sedan kåporna utåt mot sidorna.

Manöverkontakten ska monteras i det rum och på den höjd som passar användaren. Manöverkontakten öppnas med verktyg och baksidan skruvas fast i väggen med de båda skruvarna $\varnothing 3,5 \times 30$ mm.

Kapa ledningen till lämplig längd och anslut den till motorboxen. Se punkt A på bilden.

Nätaggreatet skruvas fast på eller infällt i väggen beroende på vad som passar bäst. Nätaggreatet ska hängas på väggen på en skruv $\varnothing 3,5 \times 30$ mm i "nyckelhålet" på nätaggreatets baksida.

På nätaggreatets undersida finns ett hål för en skruv $\varnothing 3,5 \times 30$ mm. Där kan du skruva fast nätaggreatet på väggen. Kapa ledningen till lämplig längd och anslut den till motorboxen. Se punkt B på bilden.

Sätt tillbaka kåporna, anslut ledningarna på rätt sätt och testa manöverkontakten. Tänk på att montera ledningarna i ändplattan så att de inte kommer i vägen för kåpan när den monteras. Se punkt C på bilden.



FÖRSIKTIGT!

Inga lösa ledningar får hänga ut från anslutningen.

3.10.4 Montera ett traverssystem med låsfäste för transitkoppling

I regel monteras traverssystemet enligt anvisningarna i kapitel 3.8 *Montera traverssystemet*, Sida 125. Parallelskenan i traverssystemet ska helst takmonteras så att transitkopplingen fungerar så stabilt som möjligt.

Vid montering av parallelskenan måste du montera ett takfäste/pendel framför transitkopplingen. Detta gäller särskilt skenan närmast transitkopplingen. Se kapitel 3.10.6 *Montera positioneringsfästen på parallelskenan med profil S och M/L*, Sida 129.

När parallelskenan monteras är det viktigt att avståndet till kopplingen är rätt. Se bilden i kapitel *Måttskiss för transitkoppling*, Sida 128.

Traversskenan är anpassad efter respektive system vid leveransen. Om skenan ändå måste kapas ytterligare ska den kapas i den motsatta änden till kopplingen.

Följande traversskenor går att använda tillsammans med ett transitkopplingssystem:

- Profil S, M och L, underhängd
- Profil M och L, delvis förhöjd

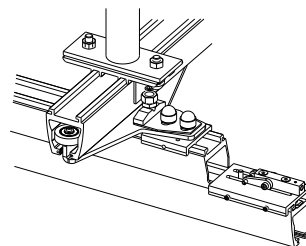
Det är viktigt att tillåtet överhäng för traversskenans utrymme mellan pendlarna och infästningsavståndet från skenorna inte överskrider så att skenorna kopplas på rätt sätt. Se bilden ovan.

När traverssystemet och kopplingen har monterats ska du kontrollera höjden mellan dessa och justera vid behov.

Det är viktigt att underkanten på traversskenan och kopplingskenan inte avviker mer än 0,5 mm. Om det finns en höjdskillnad ska kopplingskenan vara lägst.

Höjden kan behöva justeras olika beroende på brukarens vikt eller takets beskaffning så att monteringen fungerar optimalt.

Vid montering av låsfästen är det viktigt att de är i linje med traversskenans ände och att de vänds åt rätt håll i förhållande till fästet på kopplingen innan du låser dem. Se bilden.



Låsfästen till profil M och L levereras med en liten platta som också ska monteras.

3.10.5 Montering av enkelskena för skarvsystem

När skarvskenan ska monteras till en enkelskena i ett av rummen levereras den förberedd för detta utan låsfäste.

När skarvskenan monteras till en skena med profil S skarvas skenan enligt anvisningarna i kapitel 3.6.2 *Skarvning av skenor för profil S, Sida 125*

Pendeln monteras i skarvfästet.

Övriga delar i enkelskenssystemet monteras enligt anvisningarna i kapitel 3.2 *Takmonteringssystem, Sida 119* och 3.6 *Skarvning av skenor, Sida 124*

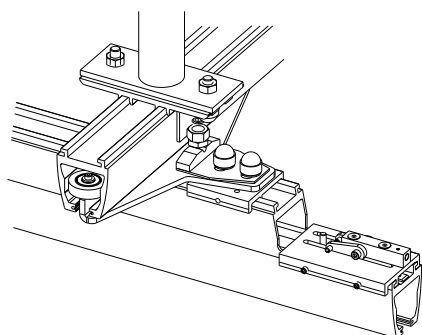
3.10.6 Montera positioneringsfästen på parallellskena med profil S och M/L



FÖRSIKTIGT!

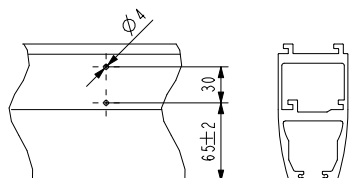
Det är mycket viktigt att allt justeras på rätt sätt och förankras ordentligt så att produkten är säker att använda och fungerar som den ska.
– Systemet ska testas noggrant efter montering.

Positioneringsfästet är till hjälp för att placera traversskenan i förhållande till kopplingen. Fästet monteras på den skena som är närmast kopplingen och ska vridas mot kopplingen. Se bilden.



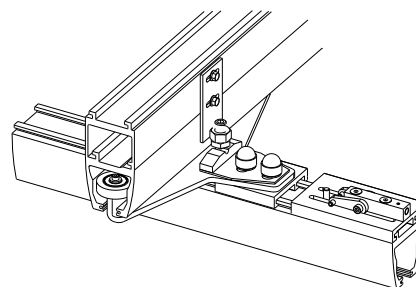
Positioneringsfästet till skenan med profil S monteras delvis i standardfästet. Därför är det viktigt att du placerar ett standardfäste mitt framför kopplingskenan.

Positioneringsfästets ena del monteras i bulten M10 i takfästet av standardtyp. Det ska vara riktat åt samma håll som snabbfästet på traversåkvagnen. Positioneringsfästets traversdel monteras i traversåkvagnens snabbfäste. Se bilden.



Positioneringsfästet till skenan med profil M/L monteras i parallellskenan respektive traversskenan. Positioneringsfästets traversdel monteras i traversåkvagnens snabbfäste.

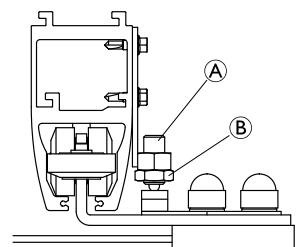
När positioneringsfästets parallelldel ska monteras måste traversskenan vara kopplad till transitkopplingen. Det gör det möjligt att märka ut rätt placering av fästena innan de monteras. Efter märkningen ska du frikoppla skenorna på nytt. Borra sedan 4 mm hålen för skruvarna. Se bilden nedan.



Hårdhetsjustering

Positioneringsfästenas hårdhet måste justeras så att traversskenan enkelt fångas av kopplingen. Samtidigt ska skenan kunna passera kopplingen utan att fastna.

1. Om positioneringsfästet har justerats för hårt ska du lossa den fjädrande svarta skruven **A**.
2. Om positioneringsfästet har justerats för lätt ska du spänna skruven **A**.
3. Dra åt låsmutter **B** (M12) efter alla justeringar.



Justera positionsfästena

Positioneringsfästets parallelldel kan justeras ytterligare om du lossar skruvarna och förflyttar fästet horisontellt tills skenan sitter direkt framför kopplingen.

Efter justeringen kan du spänna fästet.

Observera att det ska finnas ett litet glapp på båda sidor av skenan.

3.11 Montera taklyften i skensystemet


Till Robin behövs en åkvagn som förflyttar taklyften i skensystemet. På RobinMover är åkvagnen inbyggd och kan monteras direkt i skensystemet.

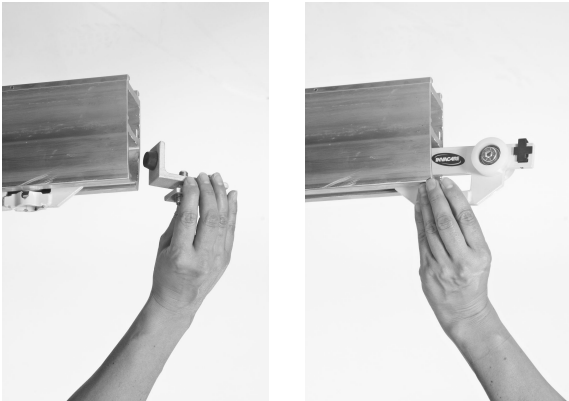
3.11.1 Montera Robin®




Verktyg: 4 mm insexnyckel, 17 mm hylsnyckel

1. När du ska montera åkvagnen måste du ta bort ändstoppet som sitter på skensystemet.

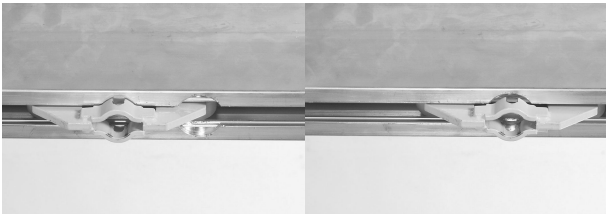
 I vissa länder/regioner måste ändstoppen monteras med dubbla fästen. Om det finns en extra skruv ska du ta bort den skruven först.



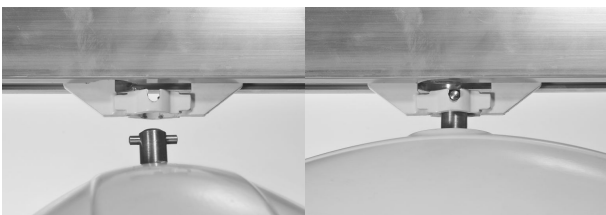
2. Skjut in åkvagnen i skenan (åt vilket håll som helst, åkvagnen är symmetrisk).
3. Sätt tillbaka ändstoppet.

 I vissa länder/regioner måste ändstoppen monteras med dubbla fästen. Om en extra skruv behövs måste du först montera den skruven. Se även *Ändstopp, Sida 116*


4. Placera lyftåkvagnen vid den runda fördjupningen med 32 mm omkrets i skenan.

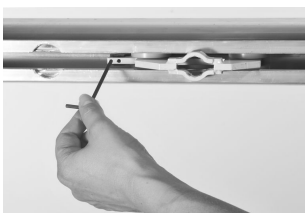


5. Lyft upp lyften och tryck in upphängningssprinten genom öppningen i åkvagnen.




6. Vrid lyften 90 grader så att den låses fast i åkvagnen.
7. Anslut handkontrollen.
8. Justera längden på nödstops-/nödsänkingsbandet så att det är inom räckhåll för användaren.

 Om åkvagnen rör sig trögt eller kommer i självullning på grund av att skenupphängningen inte är balanserad ska du justera friktionsbromsen med en 4 mm insexnyckel.



3.11.2 Montera Robin® Mover


Eftersom åkvagnen är inbyggd i lyften kan den inte förmonteras i skenan.

 Verktyg: 4 mm insexnyckel, 17 mm hylsnyckel

1. Ta bort ändstoppet.




2. Skjut in lyftens hjul i skenan.

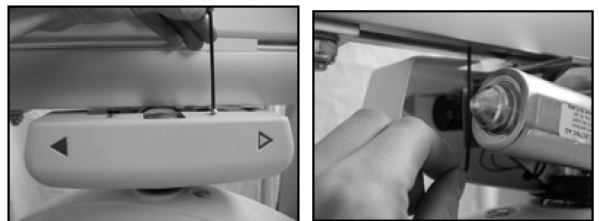
 Lyftens riktning spelar ingen roll vid monteringen.



3. Sätt i ändstoppet.

 Dra åt bulten till 30 Nm.

4. Om det går trögt att dra lyften eller om den rör sig för mycket och kommer i självullning ska du justera friktionsbromsen.



5. Anslut handkontrollen.
6. Justera längden på nödstops-/nödsänkingsbandet så att det är inom räckhåll för användaren.

3.12 Besiktning/kontroll av skensystemet

**FÖRSIKTIGT!**

När ett skensystem har monterats måste hela systemet besiktigas.

- Besiktningen av ett skensystem får endast utföras av en behörig person.
- Besiktningen måste följa anvisningarna under *Kontrollista för säkerhetsbesiktning/Skensystem* i servicemanualen för Invacare® Robin®.

Enligt den europeiska standarden EN 10535 ska systemet provas med en belastning av 300 kg. Provningsen ska utföras under samtliga infästningar. Provningsen är en säkerhetskontroll av systemkonstruktionens förmåga att hålla skensystemet på plats.

4 Teknisk Data

4.1 Skensystemet

Samtliga skenprofiler tillverkas i strängsprutad aluminium.

Skenorna finns i vit pulverlack.

Skenorna finns i tre olika höjder: S=68 mm, M=114 mm och L=183 mm med infästningsavstånd 2 m, 4 m respektive 8 m.

Profilbredden för samtliga typer av profiler är 58 mm.

Profilernas oavsida är formad så att skenorna passar i monteringsfästena.

Lyftskenan levereras med en urfräsning på undersidan. Urfräsningen används vid montering av lyften och kallas nyckelhål.

Monteringsalternativ

Enkel skena kan monteras i taket eller med vägg- och golvstolpe. Skenan kan monteras antingen parallellt med väggen eller i vinkel mot väggen.

Traverssystemet kan monteras i taket eller med vägg- och golvstolpe. Avståndet mellan parallellskenorna får vara upp till 8 000 mm.

Kurvor finns med profil S och kan ta kmonteras. Kurvorna finns i 30, 45, 60 och 90 grader.

Speciallösningar

Pendelmontering används i följande situationer: När takhöjden varierar i skenans längsgående riktning eller när skenan måste försänkas.

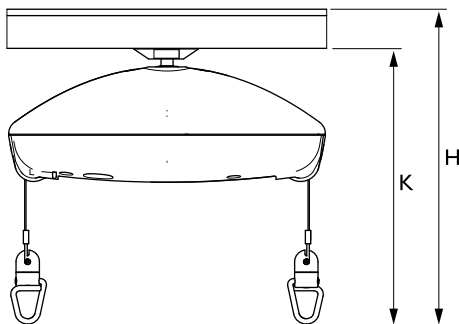
Diagonal montering används när skenan måste monteras i annan vinkel än 90 grader.

4.2 Byggmått för olika skenmonteringar

Byggmåttet definieras som avståndet mellan takets undersida och lyftens krokar.

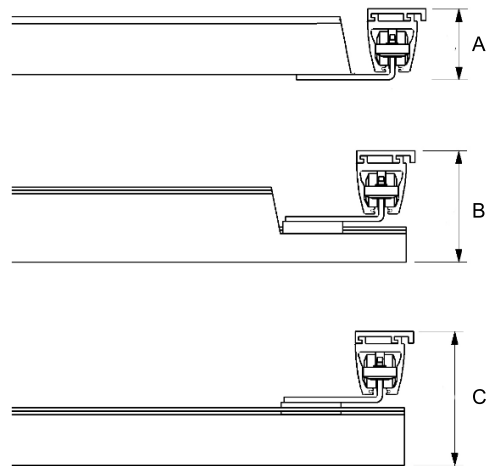
Enkel skena

För EC-Track™-systemet och Robin-taklyften är inbyggnadsmåttet mätt från taket med skenan monterad så tätt intill taket som möjligt:



		Robin	Robin Mover
K	Mätt från skenans underkant till lyftselens krok	336 mm	396 mm
H	Takmonterad skenprofil S	410 mm	470 mm
	Vägg-/takmonterad skenprofil M	450 mm	510 mm
	Vägg-/takmonterad skenprofil L	519 mm	579 mm

Höjdmått för traverssystem



A=förhöjd travers

B=delvis förhöjd travers

A=underhängd travers

Monteringskombinationer

Travers-skena	Parallell-skena	A	B	C
Profil S	Profil S	83 mm	—	156 mm
Profil M	Profil S	—	156 mm	203 mm
	Profil M	129 mm	203 mm	250 mm
Profil L	Profil S	—	—	272 mm
	Profil M	—	—	319 mm
	Profil L	198 mm	272 mm	388 mm

Invacare Sales Companies

Ireland:

Invacare Ireland Ltd,
Unit 5 Seatown Business Campus
Seatown Road, Swords, County
Dublin
Tel : (353) 1 810 7084
Fax: (353) 1 810 7085
ireland@invacare.com
www.invacare.ie

United Kingdom:

Invacare Limited
Pencoed Technology Park, Pencoed
Bridgend CF35 5AQ
Tel: (44) (0) 1656 776 222
Fax: (44) (0) 1656 776 220
uk@invacare.com
www.invacare.co.uk

Danmark:

Invacare A/S
Sdr. Ringvej 37
DK-2605 Brøndby
Tel: (45) (0)36 90 00 00
Fax: (45) (0)36 90 00 01
denmark@invacare.com
www.invacare.dk

Deutschland:

Invacare GmbH,
Alemannenstraße 10
D-88316 Isny
Tel: (49) (0)7562 700 0
Fax: (49) (0)7562 700 66
kontakt@invacare.com
www.invacare.de

Österreich:

Invacare Austria GmbH
Herzog-Odilo-Straße 101
A-5310 Mondsee-Tiefgraben
Tel: (43) 6232 5535 0
Fax: (43) 6232 5535 4
info-austria@invacare.com
www.invacare.at

Schweiz / Suisse / Svizzera:

Invacare AG
Benkenstrasse 260
CH-4108 Witterswil
Tel: (41) (0)61 487 70 80
Fax: (41) (0)61 487 70 81
switzerland@invacare.com
www.invacare.ch

España:

Invacare SA
c/Areny s/n, Polígon Industrial de
Celrà
E-17460 Celrà (Girona)
Tel: (34) (0)972 49 32 00
Fax: (34) (0)972 49 32 20
contactsp@invacare.com
www.invacare.es

France:

Invacare Poirier SAS
Route de St Roch
F-37230 Fondettes
Tel: (33) (0)2 47 62 64 66
Fax: (33) (0)2 47 42 12 24
contactfr@invacare.com
www.invacare.fr

Italia:

Invacare Mecc San s.r.l.,
Via dei Pini 62,
I-36016 Thiene (VI)
Tel: (39) 0445 38 00 59
Fax: (39) 0445 38 00 34
italia@invacare.com
www.invacare.it

Nederland:

Invacare BV
Galvanistraat 14-3
NL-6716 AE Ede
Tel: (31) (0)318 695 757
Fax: (31) (0)318 695 758
nederland@invacare.com
www.invacare.nl

Belgium & Luxemburg:

Invacare nv
Autobaan 22
B-8210 Loppem
Tel: (32) (0)50 83 10 10
Fax: (32) (0)50 83 10 11
belgium@invacare.com
www.invacare.be

Norge:

Invacare AS
Grensesvingen 9, Postboks 6230,
Etterstad
N-0603 Oslo
Tel: (47) (0)22 57 95 00
Fax: (47) (0)22 57 95 01
norway@invacare.com
www.invacare.no

Portugal:

Invacare Lda
Rua Estrada Velha, 949
P-4465-784 Leça do Balio
Tel: (351) (0)225 1059 46/47
Fax: (351) (0)225 1057 39
portugal@invacare.com
www.invacare.pt

Suomi:

Camp Mobility
Patamäenkatu 5, 33900 Tampere
Puhelin 09-35076310
info@campmobility.fi
www.campmobility.fi

Sverige:

Invacare AB
Fagerstagatan 9
S-163 53 Spånga
Tel: (46) (0)8 761 70 90
Fax: (46) (0)8 761 81 08
sweden@invacare.com
www.invacare.se

Australia:

Invacare Australia Pty. Ltd.
1 Lenton Place, North Rocks NSW
2151
Australia
Phone: 1800 460 460
Fax: 1800 814 367
orders@invacare.com.au
www.invacare.com.au

New Zealand:

Invacare New Zealand Ltd
4 Westfield Place, Mt Wellington
1060
New Zealand
Phone: 0800 468 222
Fax: 0800 807 788
sales@invacare.co.nz
www.invacare.co.nz



Invacare Portugal, Lda
Rua Estrada Velha 949
4465-784 Leça do Balio
Portugal

