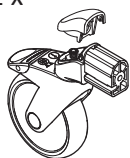


SP1586628

1 x



1 x



SP1587502

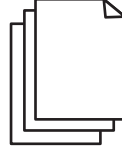
1 x



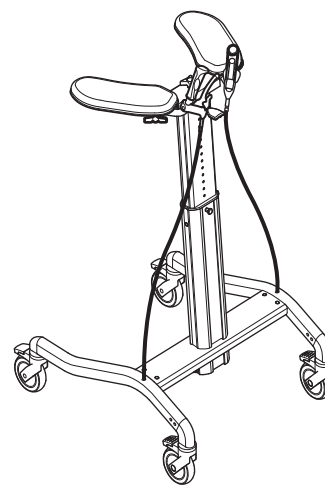
1 x



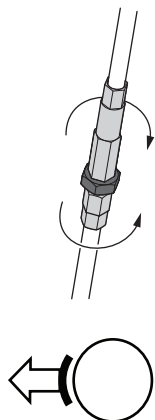
1 x



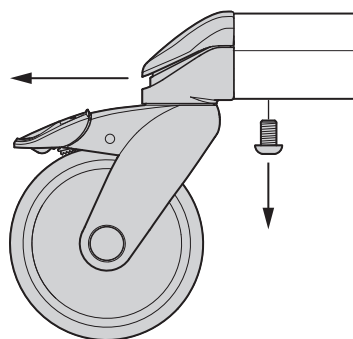
Invacare® Step Up



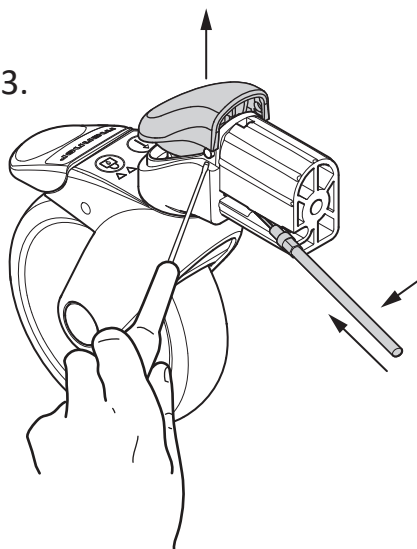
1.



2.



3.



4.

