

The procedures in this manual MUST be performed by a qualified technician.

I582611-A 2016-02-22 1/2



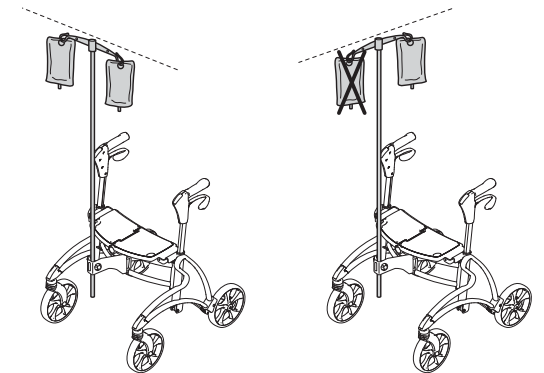
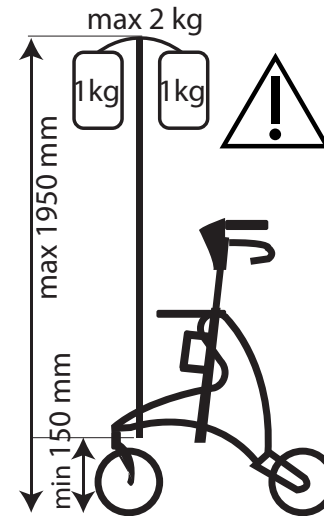
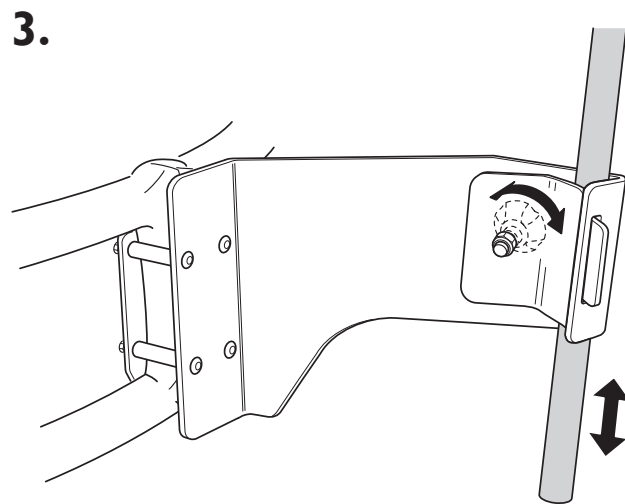
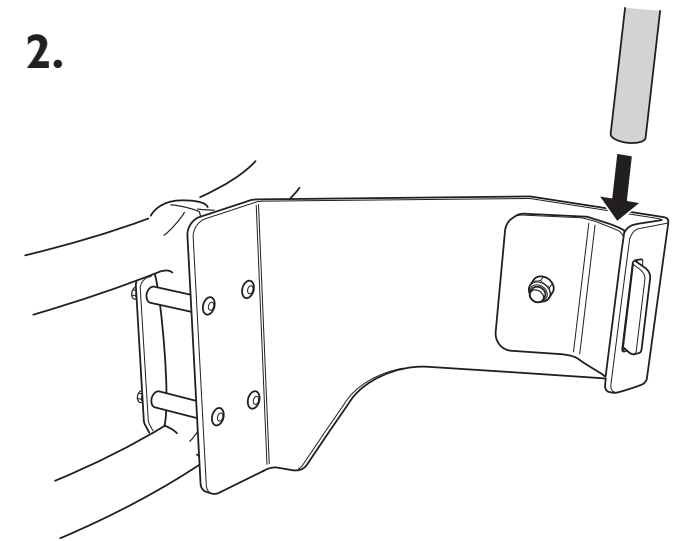
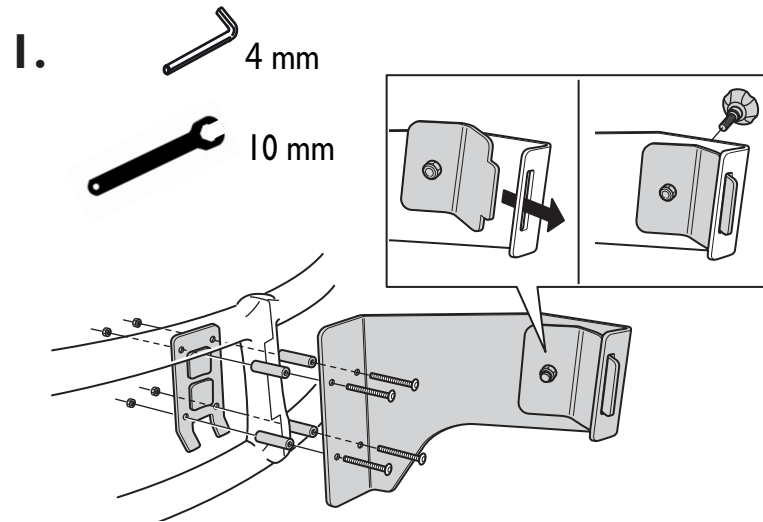
Manufacturer:  
Invacare Rea AB  
Växjövägen 303  
SE-343 71 Diö  
Sweden



Yes, you can.®

# Mounting Instruction

SP1580895 - IV-pole  
Jazz 510/610



The procedures in this manual **MUST** be performed by a qualified technician.

1582611-A 2016-02-22 2/2



Manufacturer:  
Invacare Rea AB  
Växjövägen 303  
SE-343 71 Diö  
Sweden



Yes, you can.®