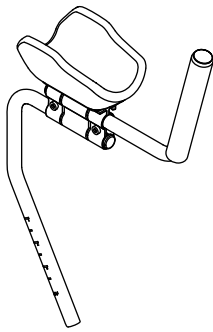


AP1585081



AP1585082



8/10mm

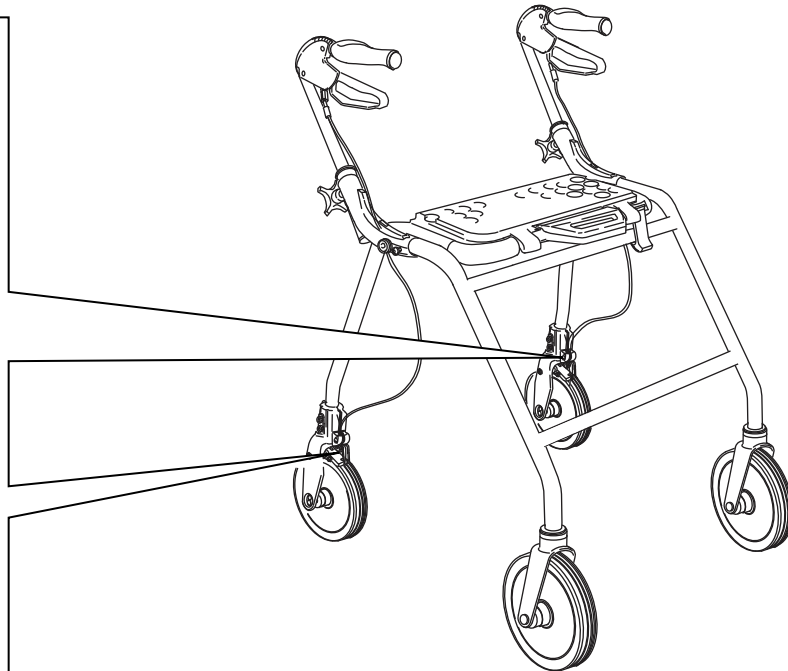
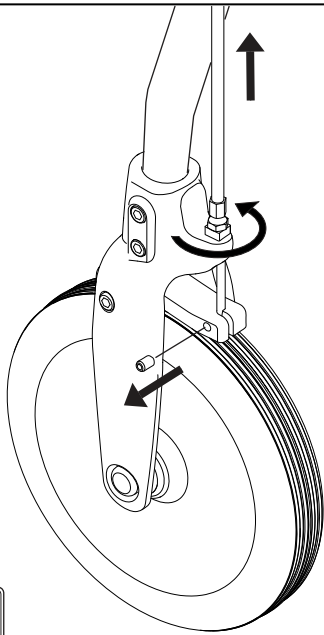


3mm

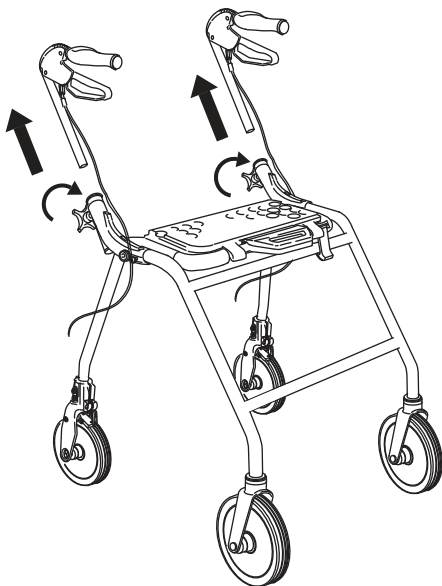


T20

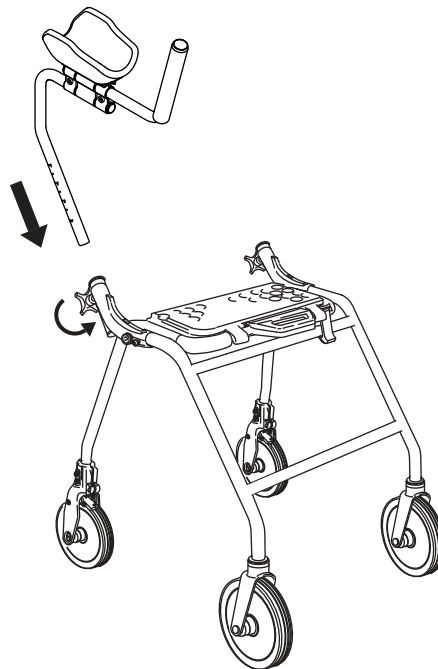
1



2



3



Invacare Rea AB
Växjövägen 303
SE-343 71 Diö
Sweden



Yes, you can.®

