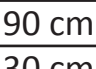
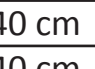
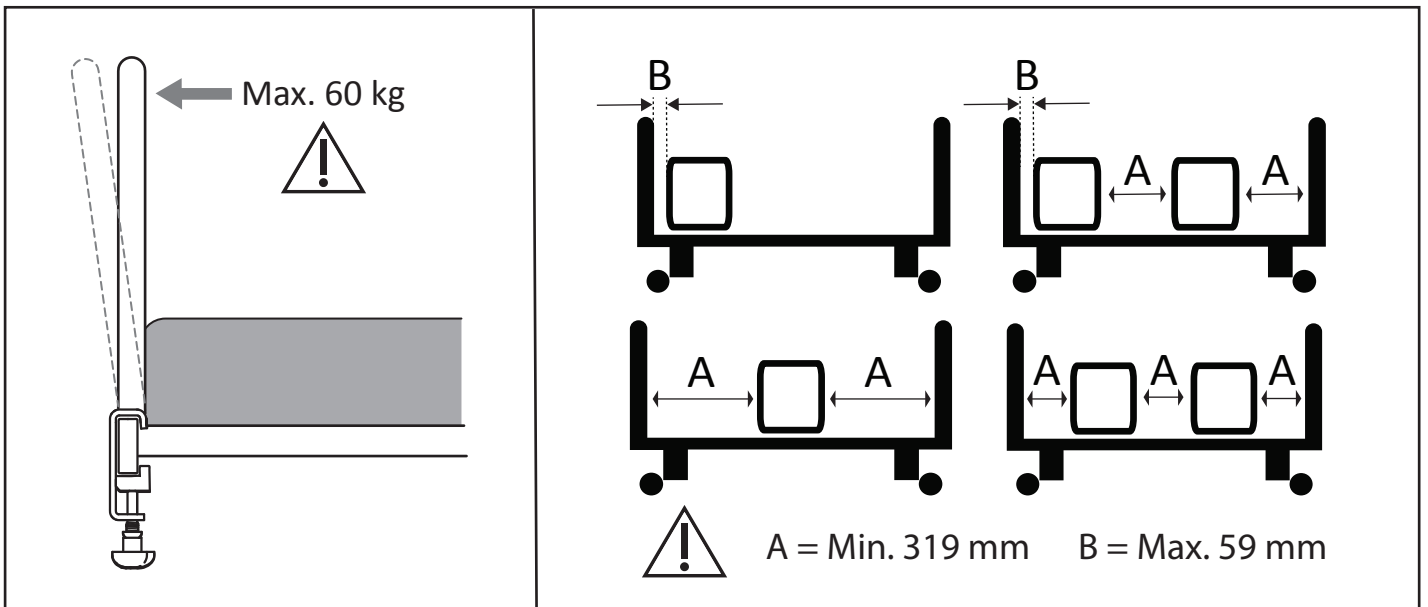
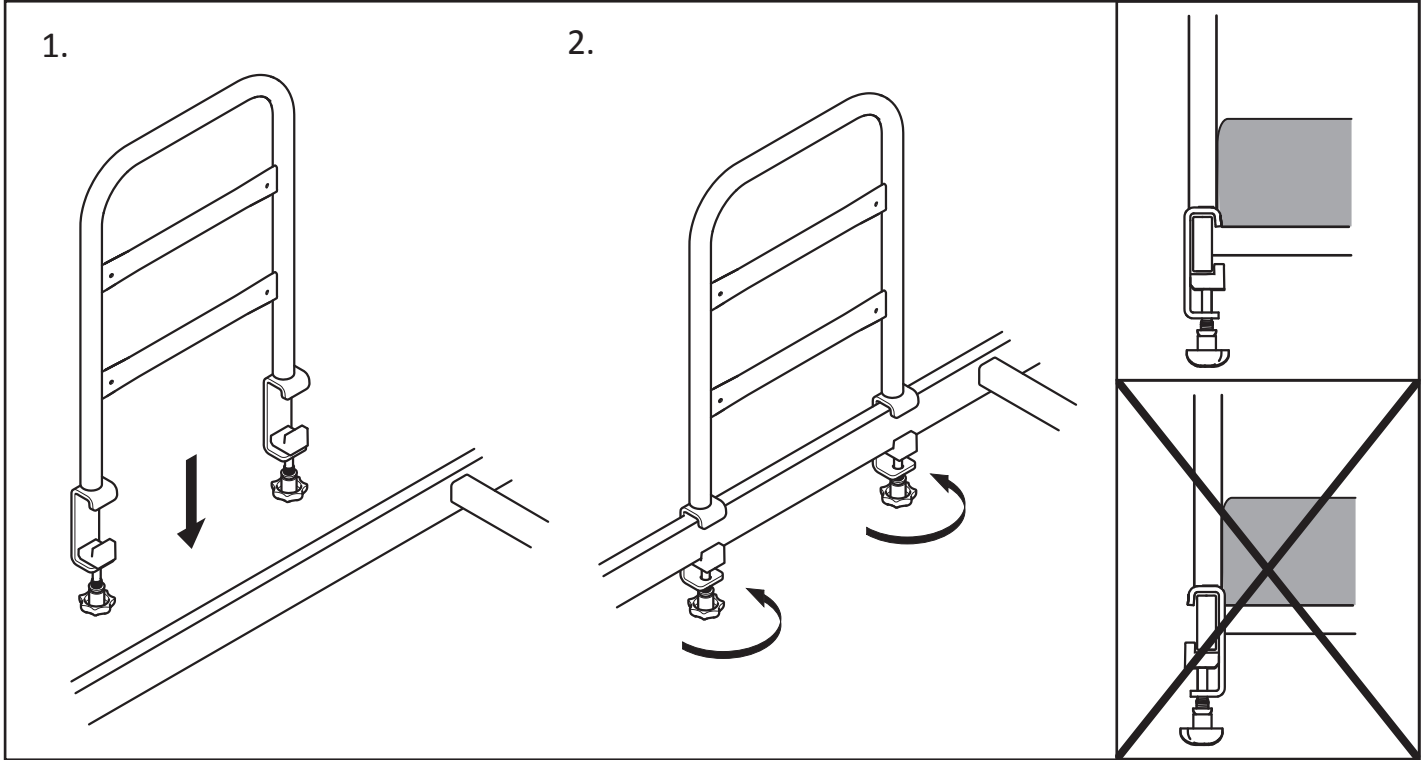
	
	1651907	90 cm	40 cm
			
	1651908	30 cm	40 cm

Invacare® NordBed™ Essential  
 Invacare® NordBed™ Ultra  
 Invacare® NordBed™ Optimo  
 Invacare® NordBed™ Optimo Wide



Invacare REA AB  
 Växjövägen 303  
 SE-343 71 Diö  
 Sweden

