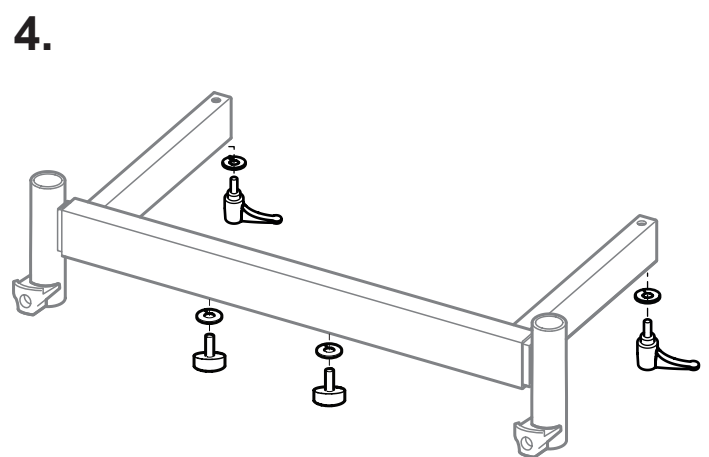
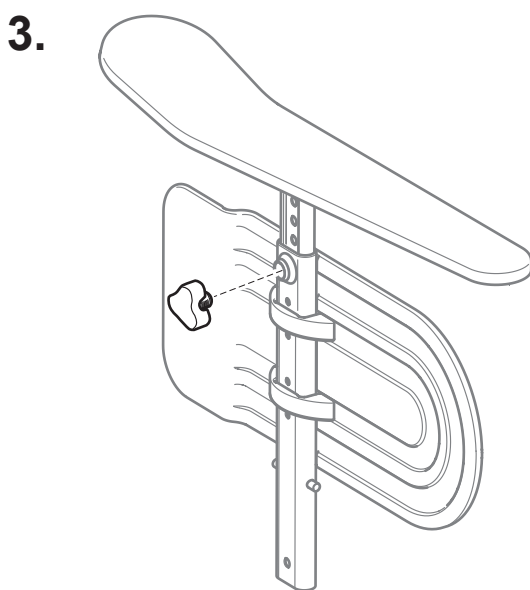
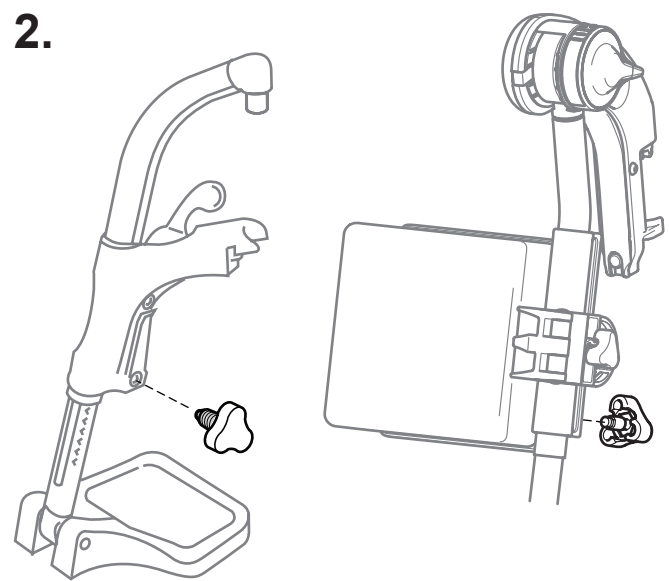
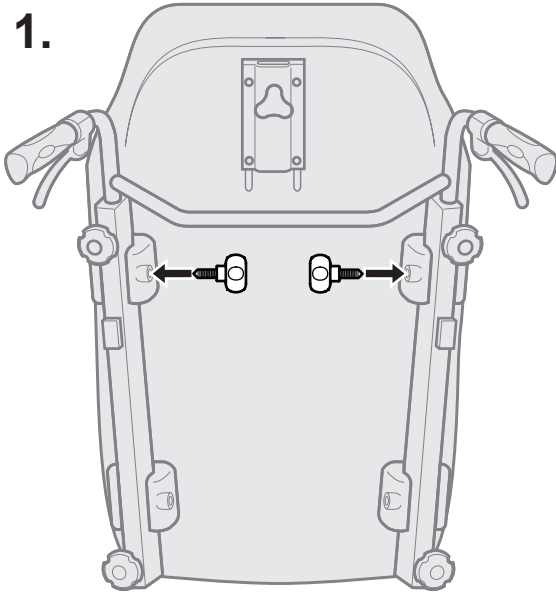
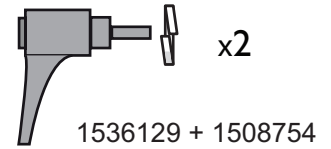
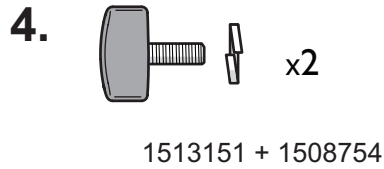
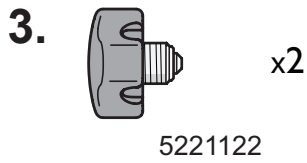
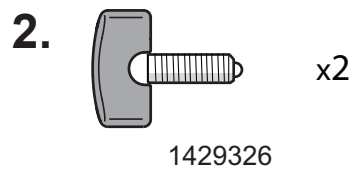
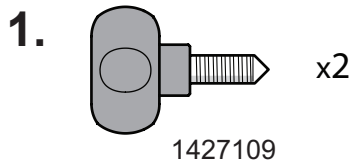




Mounting Instruction

Clinic kit I484457
Rea® Azalea



 The procedures in this manual
MUST be performed by a qualified
technician.

 Invacare Rea AB
Växjövägen 303
S-343 75 Diö



