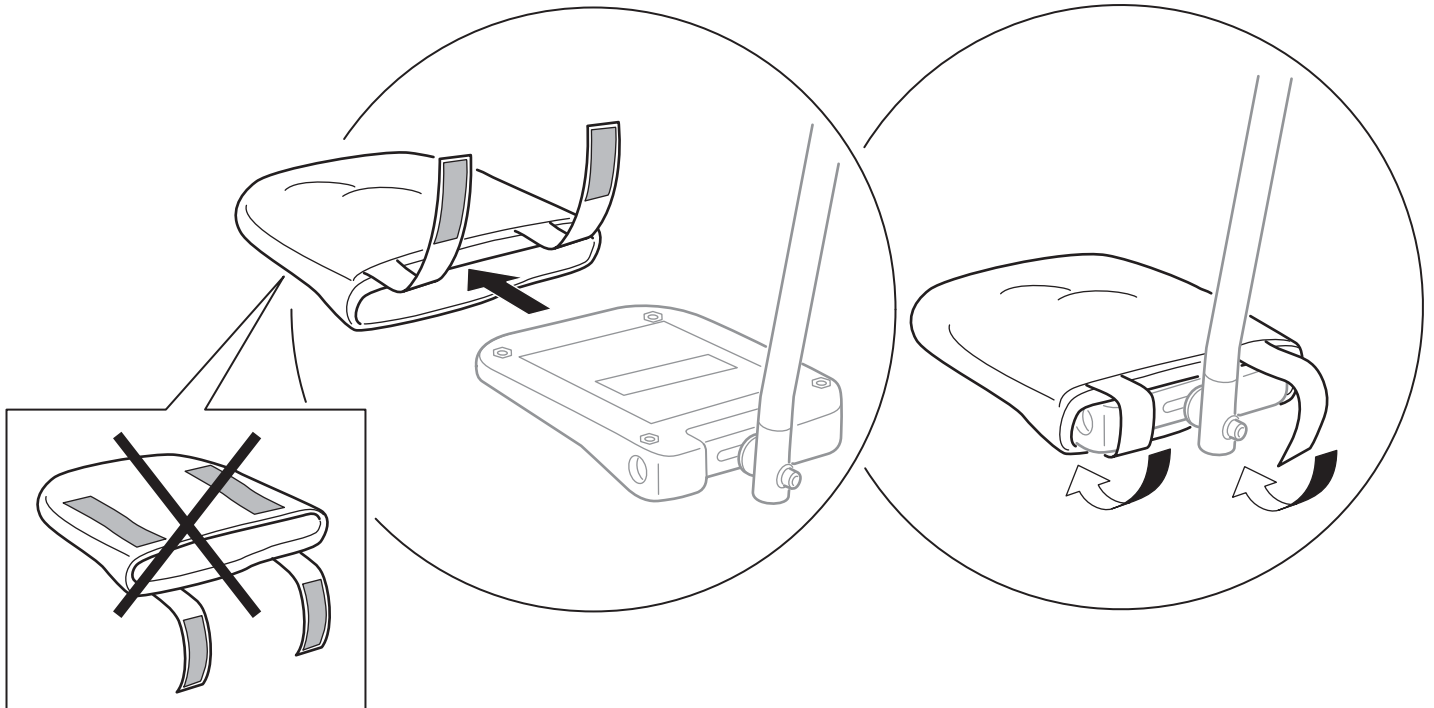
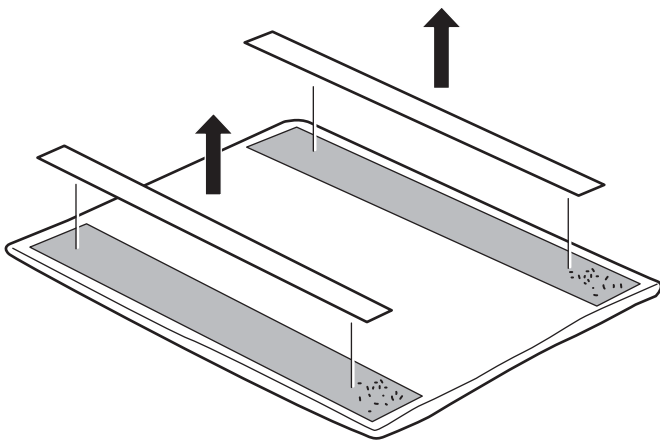


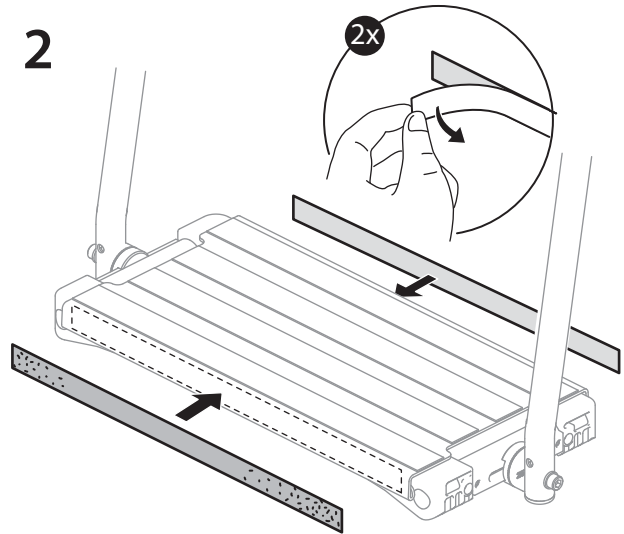
# Mounting instructions Padding footplate



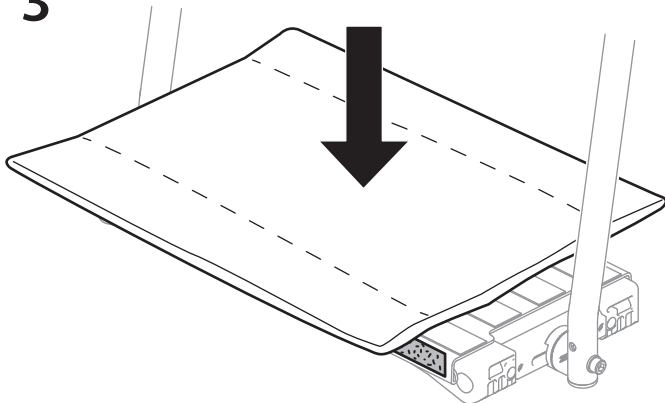
1



2



3



4

