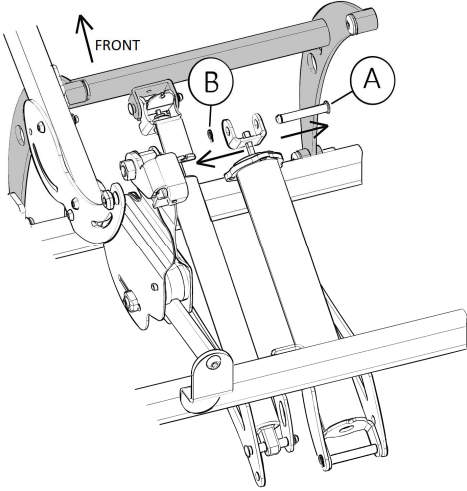


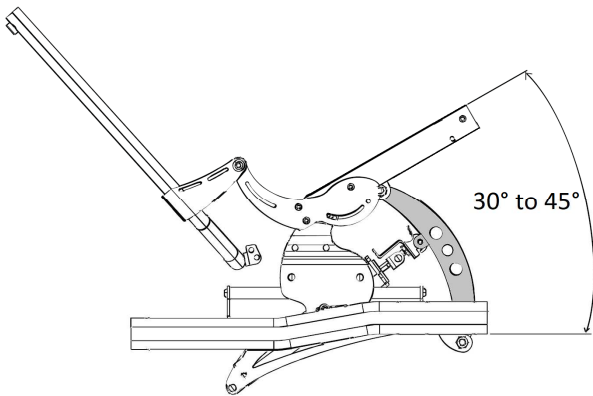
How to exchange the front linkarm at Dahlia 45° (gas spring)

Previously, leave the chair on its wheels and tilt the chair to unloaded position (about 5°)

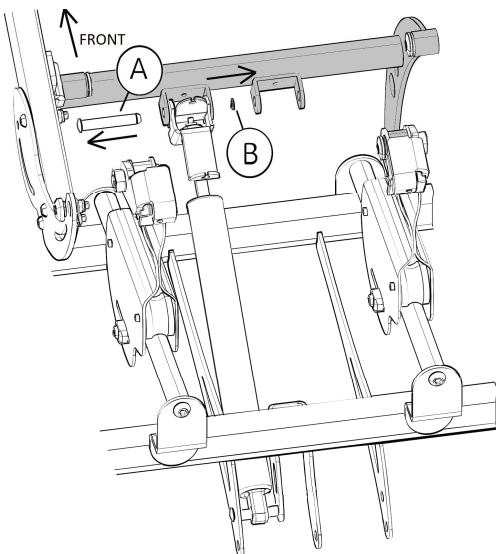
1. Remove the upper safety pin (A) and locking washer (B) of the gas spring. **Tooling:** Use a nipper



2. Tilt the chair to a seat angle of 30° to 45°

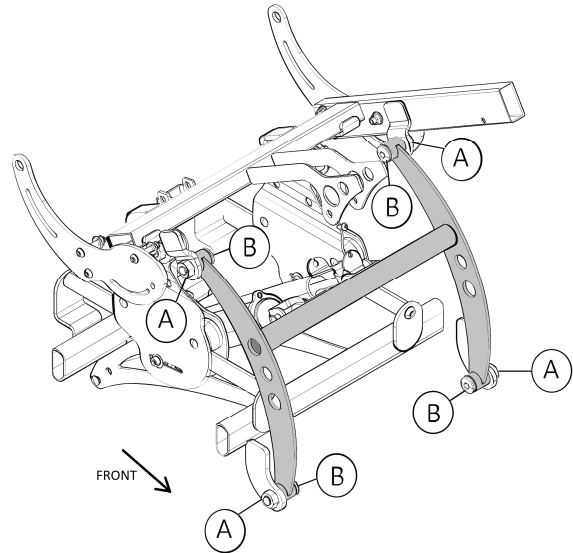


3. Remove the upper safety pin (A) and locking washer (B) of the gas spring. **Tooling:** Use a nipper

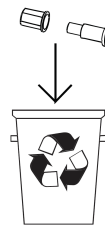


4. Remove the 4 linkarm screws (B). If needed, heat the nuts (A) with a hot air gun before untightening the linkarm screws (B). While heating the nut, place a sight counterclockwise torque to the screw (B) and stop warming immediately when the screw starts to turn.

Tooling: Use a hot air gun and Allen key of 6 mm



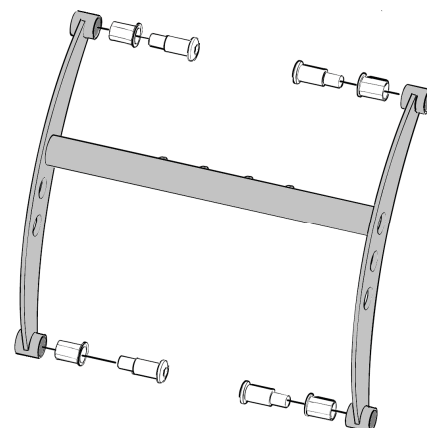
5. Scrap the previous plastic bushings and screws



6. Use new screws and plastic bushings when assembling the new linkarm.

Tighten the screws with a torque wrench to 17 Nm.

Tooling: Use a torque wrench



7. Reverse the procedure to reassemble the gas spring. Check the upper and lower safety pins (A) and locking washers (B). If damage, then replace them by new ones.

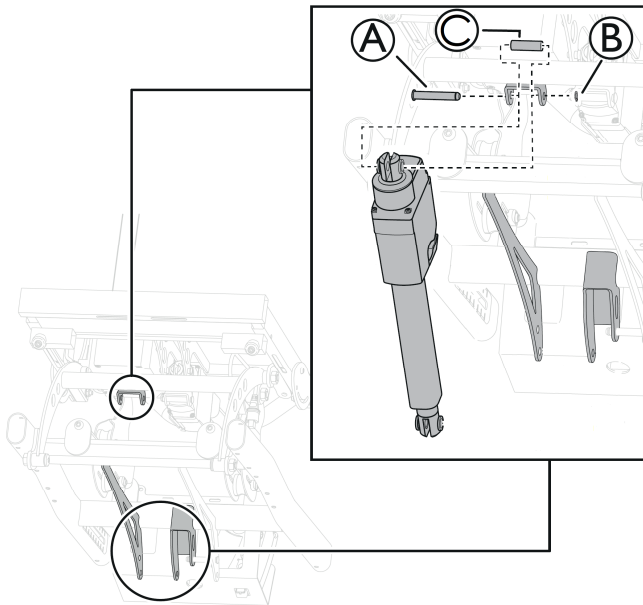
Tooling: Use a nipper

How to exchange the front linkarm at Dahlia 45° (seat electrical actuator only)

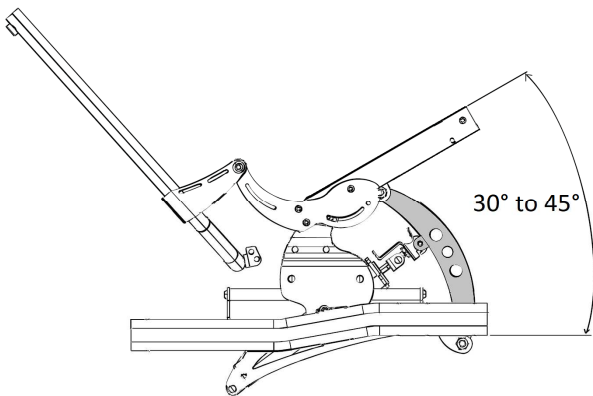
Previously, leave the chair on its wheels and tilt the chair to unloaded position (about 5°)

1. Remove the upper safety pin (A), locking washer (B) and spacer (C) of the seat electrical actuator.

Tooling: Use a nipper

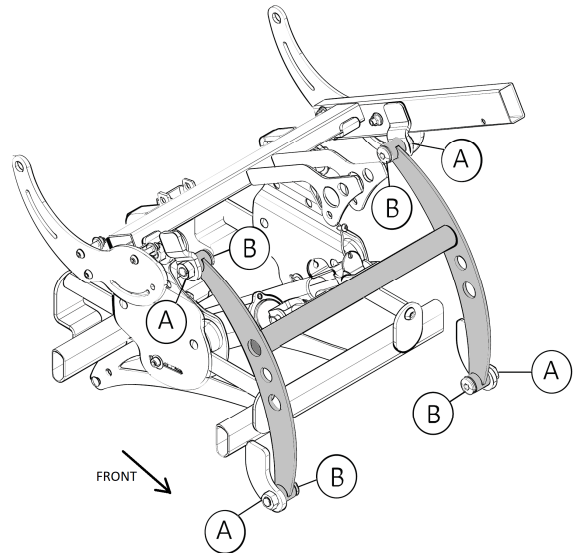


2. Tilt the chair to a seat angle of 30° to 45°

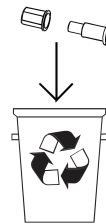


3. Remove the 4 linkarm screws (B). If needed, heat the nuts (A) with a hot air gun before untightening the linkarm screws (B). While heating the nut, place a sight counterclockwise torque to the screw (B) and stop warming immediately when the screw starts to turn.

Tooling: Use a hot air gun and Allen key of 6 mm



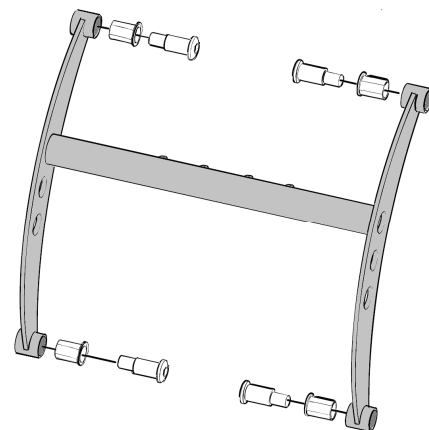
4. Scrap the previous plastic bushings and screws



5. Use new screws and plastic bushings when assembling the new linkarm.

Pay attention to the way of the actuator cable. Tighten the screws with a torque wrench to 17 Nm.

Tooling: Use a torque wrench



6. Reverse the procedure to reassemble the electrical actuator. Check the upper and lower safety pins (A) and locking washers (B). If damage, then replace them by new ones. **Tooling:** Use a nipper