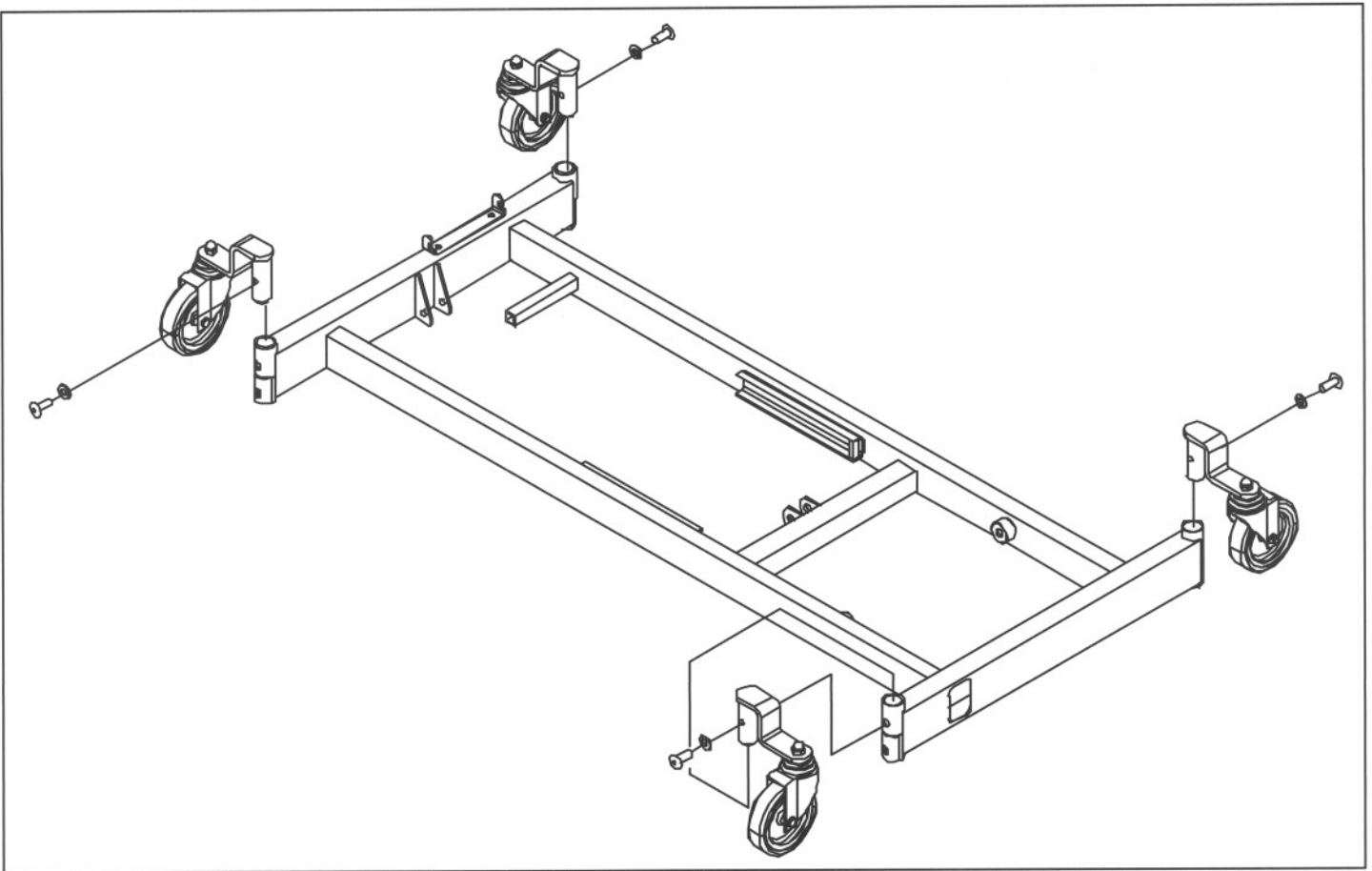




## Mounting instruction for SB 750



Invacare® EC-Høng A/S  
Ident. no: 1417669  
Version 02 Type no: 021343.XX