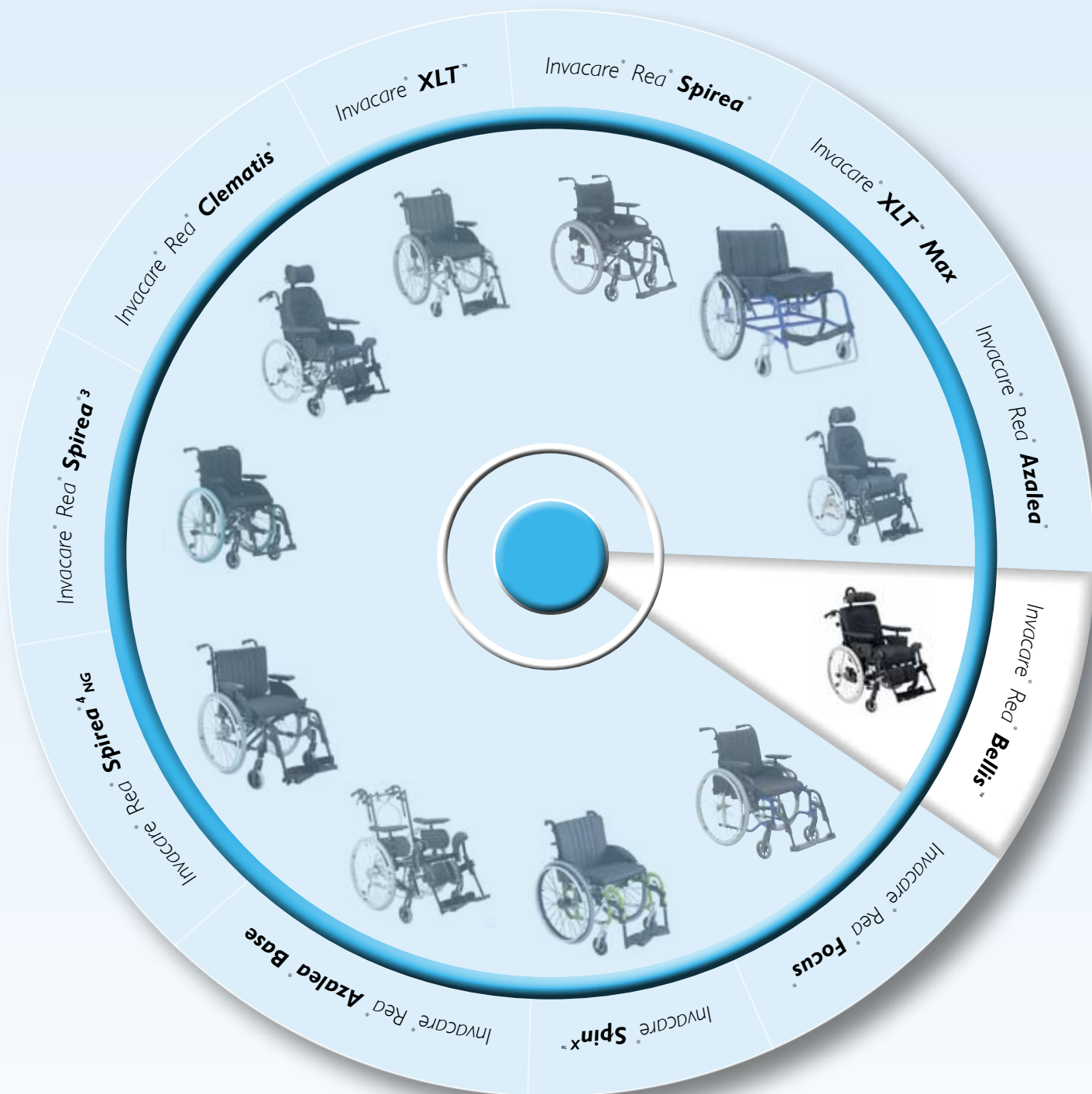


COMPATIBILITY CATALOGUE 2012



rea



Yes, you can.®

Content

➤ How to read the catalogue	3
➤ Product presentation	
Product overview	4
All sizes	5
All colours	7
➤ Common parts	
Compatibility cross list	9
Armrests	13
Backrest	17
Seat cushions	21
Legrests and Hangers	23
Castors	27
Rearwheels	30
Others	34
➤ Individual parts	
Rea™ Azalea ®	36
Rea™ Bellis ™	49
Rea™ Clematis ®	53
Rea™ Focus ™	55
Rea™ Spirea ² ®	59
Rea™ Spirea ³ ®	61
Rea™ Spirea ⁴ ®	63
Invacare® Spin ^x	68
Invacare® XLT .	71

Introduction

The purpose of the catalogue is to describe the range and give an overview of the cross compatibility of our current passive Tilt & Recline wheelchairs; Rea™ **Azalea**®, Rea™ **Bellis**™ and Rea™ **Clematis**®, our medium-active wheelchairs; Rea™ **Focus**™, Rea™ **Spirea²**®, Rea™ **Spirea³**®, Rea™ **Spirea⁴**®_{NG}, Invacare® **Spin^x** and our active wheelchair Invacare® **XLT**.

Individual Parts

This section contains a short presentation of the individual wheelchairs followed by descriptions of how the individual wheelchairs have been measured.

You will also find a complete table with all seat heights and presentations of all the parts that only fit each particular wheelchair, in other words that are not compatible with the rest of the range.

How to read the Compatibility Catalogue:

Product Presentation

Here you will find presentations of all wheelchairs for adults that are produced at Invacare Rea.

Common Parts

The chapter starts with a Compatibility cross list, where the whole product range is listed on a modular level, with what fits to what and which parts are compatible with each other. The order as well as the parts are according to the European Prescription Form (EPF).

All compatible parts (i.e. they fit two or more wheelchairs) are described together with Art.nos and pictures in the coming sections.

Product presentation

Product Overview



Wheelchair version		Self propelling	Transit version.	Tiltable seat	Max user weight kg	Angle adj. frame	Reclining backrest	Angle adj backrest
Rea™ Azalea ® / Azalea ® Max	Passive wheelchair with adaptable seating	×	×	×	135 / 180	-	×	-
Rea™ Bellis ™ / Bellis ™ 150	Passive wheelchair with adaptable seating	×	×	×	125 / 150	-	×	-
Rea™ Clematis ®	Passive wheelchair basic seating	×	-	×	125	-	×	-
Rea™ Azalea ® Base	Passive wheelchair	×	×	×	135	-	-	×
Rea™ Focus ™ / Focus ™ 150	Medium active wheelchair with extensive adjustability	×	-	-	135 / 150	×	× / -	×
Rea™ Spirea ²® / Rea™ Spirea ²® T	Medium active wheelchair with basic adjustments	×	×	-	125	×	-	-
Rea™ Spirea ³®	Medium active wheelchair with extensive adjustability	×	-	-	135	×	-	×
Invacare® Spin ˣ™	Medium active wheelchair with extensive adjustability	×	-	-	125 / 135 *	×	-	×
Rea™ Spirea ⁴®	Medium active wheelchair with extensive adjustability	×	×	-	135	×	-	×
Invacare® XLT ™ 75/90 Invacare® XLT ™ Swing	Medium active wheelchair with extensive adjustability	×	-	-	135	×	-	×
Invacare® XLT ™ Max	Medium active wheelchair with extensive adjustability	×	-	-	180	×	-	×

* **Spin**ˣ: seat width 48, and 50,5 = 135 kg



Size and adjustments

All sizes. For specific information, see under each product chapter, "Individual Parts"

Seat widths in mm

Azalea®	Bellis™	Clematis®	Focus™	Spirea ^{2/3/4} ®	Spin ^x	XLT ₁
+0 / +50 / +100 mm adj.	± 20 mm adj.	+ 20 mm adj.	+ 25 mm adj.	-	-	-
						330 *
				355 ****	355 (spec)	355
340	410	390	380	380	380	380
390	460	440	405	405	405	405
440	510	490	430	430	430	430
490			455	455	455	455
550 **			480	480	480	480
610 **			505	505	505	505 *
			530 ^			555 ***
						605 ***

** Azalea Max ^ Focus 150 **** = Spirea⁴ * XLT Swing + XLT Max *** XLT Max

Seat depths in mm

Azalea®	Bellis™	Clematis®	Focus™	Spirea ^{2/3/4} ®	Spin ^x	XLT ₁
+70 mm adj.	+120 mm adj.	+60 mm adj.	+75 mm adj.	-50 mm adj.	-50 mm adj.	- 40 mm adj.
380	420	420	Low 375cm	400 mm	400	400
430			High 425cm	450 mm	450	450
500				Adj 400 - 500 ***	500	500 ^^
530 **						550 *
600 **						600 *

** Azalea Max *** Spirea⁴ ^^ XLT + XLT Max * XLT Max

Possible seat heights in mm

Azalea®	Bellis™	Clematis®	Focus™	Spirea ^{2/3/4} ®	Spin ^x	XLT ₁
400 / 450 / 500	360-485	450	Low 365-490	380-505 *	410-530	Swing 380-520
			High 415-540			75/90 400-520
						Max 440-520

* Spirea⁴ = 380 - 510

Backrest heights in mm

Description	Azalea®	Bellis™	Clematis®	Focus™	Spirea ^{2/3/4} ®	Spin ^x	XLT ₁	XLT ₁ Max
Backrest plate	610 + 75 + 50	600 + 75 + 50	610 + 70					
Tension adjustable	560 **	550						
Angle adjustable				380 - 460	350-390/ 400-480 *	360-400/ 410-490	300 - 490	400 - 490
					350-480/ 480-550 ^			
Fixed					380 - 460 ***	350 - 410	200 - 350	
Reclining				610				
Biangular				405 - 505				

** Azalea Base backrest poles, height 550 mm

* Spirea³
^ Spirea⁴

*** Spirea² + Spirea⁴

Size and adjustments






Backrest angles							
	Azalea®	Bellis™	Clematis®	Focus™	Spirea ^{2/3/4} ®	Spin ^x	XLT ₁
Backrest reclining	0-30°	0-30°	-1° - +32°	0-30°	-	-	-
Backrest Angle adj.	0-30° (Base)	-	-	-6° - +13°	0 ** / +12° ***	±12°	±10°
	-	-	-	-	-6° - +13° *	-	-
Biangular Lower	-	-	-	-6° - +13°	-	-	-
Biangular Upper	-	-	-	+/- 25°	-	-	-

* Spirea⁴ ** Spirea² *** Spirea³

Seat angle							
Description	Azalea®	Bellis™	Clematis®	Focus™	Spirea ^{2/3/4} ®	Spin ^x	XLT ₁
Tiltable	- 1° - + 20° / 25°	- 1° - + 15°	- 1° - + 19°	-	-	-	-
Adjustable	-	-	-	0 - + 6°	0 - + 6°	0 - + 6°	0 - + 14°

Legrests length in mm Seat footplate (without seat cushion). Total seat depth							
Description	Azalea®	Bellis™	Clematis®	Focus™	Spirea ^{2/3/4} ®	Spin ^x	XLT ₁
Fixed hangers and footplates 80° with short tube	300 - 420	320 - 440	-	320 - 440	320 - 440	330 - 450	290 - 410 *
Fixed hangers and footplates 80° with long tube	390 - 510	410 - 530	-	410 - 530	410 - 530	420 - 540	390 - 510 *
Fixed hangers and footplates 90° with short tube	290 - 410	290 - 410	-	340 - 460	-	320 - 440	280 - 360 *
Fixed hangers and footplates 90° with long tube	400 - 520	400 - 520	-	450 - 570	-	420 - 540	400 - 490 *
Angle adjustable hanger and footplates							
With short tube	300-420	320-440	300-420	320-440	320-440	340-460	290-410 *
With long tube	390-510	410-530	390-510	410-530	410-530	430-550	400-510 *
Central footplate	26-53	26-53	-	-	-	-	-
Legrest amputee	250	250	-	250-320	250-330	250-330	250-310 *
Plaster legrest	-	-	-	570-730	620-780	-	-
Footbow, short	-	-	-	-	-	-	380-400 ** 360-380 ****
Footbow, long	-	-	-	-	-	-	410-480 ** 390-450 ****
Footbow, rigid XLT Max	-	-	-	-	-	-	380-480
Footrest One piece, Flip-up	-	-	-	-	-	-	380-480 *** 360-450 ****
Footrest One piece, short tube	-	-	-	-	-	-	280-400 *
Footrest One piece, long tube	-	-	-	-	-	-	400-490 *
Footrest High mounted	-	-	-	-	-	-	270-370 *** 270-350 ****

* XLT Swing ** XLT Active + XLT Max *** XLT Active **** XLT Dynamic

All Colours Upholstery								
Colour	Colour code	Azalea®	Bellis™	Clematis®	Focus™	Spirea ^{2/3/4} ®	Spin ^x	XLT ₂
 Black Dartex	TR26	x	x	x	x	-	x	-
 Grey Plush	TR32	x ***	x ***	-	x ^^	x *	-	-
 Black Jemina	TR18	-	-	-	x	x	x	x
 Black Nylon	TR 33	-	-	-	-	-	-	x
 Black Plush	TR35	x **	x **	-	x ^	-	-	-

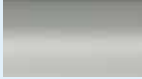

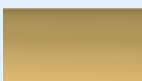






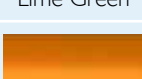

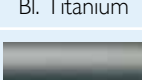
** Available from mid April 2012

*** Available until mid April 2012

^ Available from 1:st of May 2012

^^ Available until 1:st of May 2012

* Not for Spirea⁴

All Colours Frame									
Colour	Colour code	Azalea [®]	Bellis [™]	Clematis [®]	Focus [™]	Spirea ^{2/3} [®]	Spin ^x	XLT ₁	Spirea ⁴ [®]
 Pearl Grey	0515	x	x	x	x	x	x	x	-
 Azurite Blue	0522	x	-	-	-	-	-	-	-
 Sand	0523	x **	-	-	-	-	-	-	-
 Electric Green	0524	x **	-	-	-	-	-	-	-
 Happy Red	3000	x **	-	-	-	-	-	-	-
 Shining Blue	0507	-	-	-	x	-	x	x	-
 Anthracite Bl.	0514	-	-	-	-	-	x	x	-
 Red	0501	-	-	-	-	-	x	x	-
 Lime Green	0517	-	-	-	-	-	x **	-	-
 Orange	0518	-	-	-	-	-	x *	x	-
 Bl. Titanium	0518	-	-	-	-	-	-	x	-
 Slate Grey	0615	-	-	-	x	-	-	-	x

** Can only be ordered as "Special"

* Special option on Spin-X

Cross list for common parts

Backrest type	Azalea®	Bellis™	Clematis®	Focus™	Spirea ^{2/3/4} ®	Spin [×]	XLT.
Backrest plate	i *	i	i	i	-	-	-
Laguna backrest plate	-	-	-	i	-	-	-
Foldable backrest	-	-	-	-	-	x	x
Velcro adjustable biangular	-	-	-	i	-	-	-
Velcro adjustable	x	x	-	x	i	x	x
Sling upholstery	-	-	-	i	i	i	-
Rigid back (Special)							x **

* Not for Azalea® Max

** Not for XLT Max

Backrest Cover and Cushion Type	Azalea®	Bellis™	Clematis®	Focus™	Spirea ^{2/3/4} ®	Spin [×]	XLT.
Cover Thin	-	-	-	x	-	-	-
Cover Lateral	x	x	-	-	-	-	-
Mistral 2	x *	x	-	x	-	x	-
Laguna 2	x	x	x	x	-	-	-
Passad 2	x *	x	-	-	-	-	-
Shoulder High	x *	x	-	-	-	-	-

* Not for Azalea® Max

Backrest options/ pushhandles	Azalea®	Bellis™	Clematis®	Focus™	Spirea ^{2/3/4} ®	Spin [×]	XLT.
Backrest bar	-	-	-	x	x	x	-
Push bar	-	x	-	-	-	-	-
Pushhandles fixed	-	-	-	i	i	i	i
Pushhandles external long grip	-	-	-	x	x	x	i
Pushhandles external short grip	-	-	-	x	x	x	i
Pushhandles external +10 cm	-	-	-	x	x *	-	-
Push handles braced	x ***	x	-	-	-	-	-
Push handles height adjustable	-	-	i	-	-	-	i
Push handles connected, width adj.	x **						

** Not for Minor *** Only for Minor

* Spirea⁴

Seat type	Azalea®	Bellis™	Clematis®	Focus™	Spirea ^{2/3/4} ®	Spin [×]	XLT.
Firm seat, depth adjustable	i	i	i	i	-	-	-
Sliding seat	i	-	-	-	-	-	-
Sling seat	-	-	-	-	x	x	x *
Velcro adjustable seat	-	-	-	-	x	x	x

* Not for XLT Max

Seat Cushions	Azalea®	Bellis™	Clematis®	Focus™	Spirea ^{2/3/4} ®	Spin [×]	XLT.
Flo-Shape	x	x	x	-	-	-	-
Standard flat	-	-	-	x	x	x	x
Mistral 2 layer	-	-	-	i	-	-	-
Inlay cushion	-	i	-	i	-	-	-
Flo-tech Contour	-	-	-	-	-	-	x *

* XLT Max

Legrests / Hangers	Azalea®	Bellis™	Clematis®	Focus™	Spirea ^{2/3/4} ®	Spin [×]	XLT.
Central legrest, incl calf pad, footrest and attachment	x *	x	-	-	-	-	-
Hanger angle adjustable incl calf support	x	x	x	x	x	x	x **
Hanger fixed 80 deg	x *	x	-	x	x	x	x **
Hanger fixed 90 deg	x *	x	-	x	-	x	x **
Legrest amputee	x *	x	-	x	x	i	i
Plaster legrest	-	-	-	x	x	-	-
Legrest attachment fixed	i	-	i	i	i	i	i
Legrest attachment width adjustable	i	i	-	-	-	-	-

* Not for Azalea® Max

** XLT Swing

Cross list for common parts

Footrests	Azalea®	Bellis™	Clematis®	Focus™	Spirea ^{2/3/4} ®	Spin ^z	XLT _z
Footrest one piece	x *	-	-	x	x	x	i
Fixed footplate	x *	x	x	x	x	x	x **
Adjustable footplate angle/depth	x	x	x	x	x	x	x **
Adjustable footplate angle	x *	-	x	-	-	x	x **
Footbow rigid (XLT 75/90 & XLT Max)	-	-	-	-	-	-	i
Footrest high mounted (XLT 75/90)	-	-	-	-	-	-	i

* Not for Azalea® Max

** XLT Swing

Armrest Attachment	Azalea®	Bellis™	Clematis®	Focus™	Spirea ^{2/3/4} ®	Spin ^z	XLT _z
Detachable	x	x	x	i	x	x	i
Flip up	-	i	-	i	i	i	i

Side support/Armrest lower part	Azalea®	Bellis™	Clematis®	Focus™	Spirea ^{2/3/4} ®	Spin ^z	XLT _z
Height adjustable, detachable	x	x	x	x	x	x	-
Height adjustable, detachable Rio	-	-	-	x	x	x	x
Height adjustable, flip up	-	i	-	-	-	-	x *
Sideguard	-	-	-	-	-	i	i
Mudguard	-	-	-	-	-	i	i
Armrest padded	x	-	-	-	-	-	-

* Not for XLT Max

Armrest Pads	Azalea®	Bellis™	Clematis®	Focus™	Spirea ^{2/3/4} ®	Spin ^z	XLT _z
Short Narrow	-	x	-	x	x	x	x
Long Narrow	-	x	-	x	x	x	x **
Long Narrow padded	-	-	i	-	-	-	-
Long wide padded	x *	-	-	-	-	-	-
Long narrow Nice	-	i	-	-	-	-	-
Long wide Nice	i	-	-	-	-	-	-
Long wide	-	-	x	x	-	-	-
Height adjustable Standard (Duck tail)	i	-	-	-	-	-	-
Hemiplegics wide	-	-	-	x	x	-	-
Hemiplegics narrow	x	x	x	-	-	-	x **

* Only for Azalea Assist

** Not for XLT Max

Seating options	Azalea®	Bellis™	Clematis®	Focus™	Spirea ^{2/3/4} ®	Spin ^z	XLT _z
Abduction cushion in Dartex	x	x	x	-	-	-	-
Incontinence cover for seatcushion	x	x	-	-	-	-	-

Backrest Options Type	Azalea®	Bellis™	Clematis®	Focus™	Spirea ^{2/3} ®	Spin ^z	XLT _z
Neckrest depth adjustable	x	x	x	x	x	-	i
Headrest with cheek support	x	x	x	-	-	-	i
Headrest depth / width adjustable	x	x	x	x	x	-	i
Headrest / Neckrest cover	x	x	x	x	x	-	-
Trunk support multi adjustable with standard arm	x *	x	-	-	-	-	-
Trunk support multi adjustable with extended arm	x *	x	-	-	-	-	-
Trunk support with standard arm	x *	x	-	i	-	-	-
Trunk support with extended arm	x *	x	-	-	-	-	-
Trunk support, swing away	x *	x	x	-	-	-	-
Trunk support multi adjustable swing away	x *	x	x	-	-	-	-
Lumbar support cushion	x	x	-	-	-	-	-
Wedges	x	x	-	x	-	x	x **

* Not for Azalea® Max

** Not for XLT Max

Cross list for common parts

Legrest / Footrest Options Type	Azalea®	Bellis™	Clematis®	Focus™	Spirea ^{2/3/4} ®	Spin [±]	XLT ₁	XLT ₁ Max
Heel straps	x **	x	x	x	x	x	x	-
Calf pads	x	x	x	x*	x*	x*	x*	-
Calf straps	-	-	-	x	-	x	x	-
Footplate extender	x **	x	-	x	x	-	-	-

** Not for Azalea® Max

* Thinner pad

Armrest Options Type	Azalea®	Bellis™	Clematis®	Focus™	Spirea ^{2/3/4} ®	Spin [±]	XLT ₁
Hemiplegics	x *	x	-	x	x	x	x **
Side support cover	x	x	-	-	-	-	-
Cushion to sidesupport	x	x	-	-	-	-	-

* Not for Azalea® Max

** Not for XLT Max

Castor Attachment Type	Azalea®	Bellis™	Clematis®	Focus™	Spirea ^{2/3/4} ®	Spin [±]	XLT ₁
Chassis extender	i	-	-	-	-	-	-
Castor attachment fixed	x	x	x	i	i	i	i
Castor attachment quick release	-	i	-	-	-	-	-

Front Castors	Azalea®	Bellis™	Clematis®	Focus™	Spirea ^{2/3/4} ®	Spin [±]	XLT ₁
75 x 24 medium hard	-	-	-	-	-	-	x ***
100 x 27 medium hard	-	-	-	-	-	x	x ***
125 x 27 medium hard	-	x	-	x	x	-	x ***
140 x 37 soft	x	x	-	x	x	x	x
150 x 27 medium hard	x *	x	-	x	x	x	x
150 x 30 soft	x *	x	-	x	x	x	x
150 x 32 pneumatic	-	x	-	x	x	x	x
180 x 40 pneumatic	-	x	-	x	x **	x	x
180 x 40 soft	-	x	-	x	x **	x	x
200 x 27 medium hard	x	x	-	x	x	x	-
200 x 30 soft	x *	x	-	x	x	-	-
200 x 32 pneumatic	x *	x	-	x	x	x	-
200 x 45 medium hard	x	x	x	x	x	-	-
200 x 50 pneumatic	-	x	-	x	x	-	-

* Not for Azalea® Max

** Not for Spirea⁴

*** Not for XLT Max

Rear Wheel Axel	Azalea®	Bellis™	Clematis®	Focus™	Spirea ^{2/3/4} ®	Spin [±]	XLT ₁
QR	x	x	x	x	x	x	x
Camber	-	-	-	i	i *	i	i

* Spirea³ + Spirea⁴

Rear Wheels Size/Type	Azalea®	Bellis™	Clematis®	Focus™	Spirea ^{2/3/4} ®	Spin [±]	XLT ₁
16"	x	x	-	-	x *	-	-
20"	-	x	-	x	x ^	-	-
22"	x	x	-	x	x	x	x ***
24"	x	x	x	x	x	x	x
24" basic	x ^^	-	x	-	x **	-	-
25"	-	-	-	-	-	x	x ***
26"	-	-	-	-	-	-	x ***

^^ Not for Azalea® Max

* Spirea² + Spirea⁴

** Spirea³ + Spirea⁴

^ Not for Spirea⁴

*** Not for XLT Max

Tyre Type	Azalea®	Bellis™	Clematis®	Focus™	Spirea ^{2/3/4} ®	Spin [±]	XLT ₁
Tyres pneumatic non marking	x *	x	-	x	x	x	x **
Tyres pneumatic profiled	x *	x	x	x	x	x	x **
Tyres solid	x	x	x	x	x	x	x
Tyres puncture proof	x *	x	-	x	x	x	x **
Tyres low profile	x *	x	-	x	x	x/i	x/i **
Tyres low profile Black Marathon Evol.	-	-	-	-	-	-	x

* Not for Azalea® Max

** Not for XLT Max

Cross list for common parts

Handrim Type	Azalea [®]	Bellis [™]	Clematis [®]	Focus [™]	Spirea ^{2/3/4} [®]	Spin [×]	XLT [™]
Handrim aluminium	x	x	x	x	x	x	x
Handrim stainless	x ^{*/**}	x [*]	-	x [*]	x [*]	x	x
Handrim plastic coated	x ^{**}	x	-	x	x	x	x
Handrim foam coated	x ^{*/**}	x [*]	-	x [*]	x [*]	x	x
Handrim black grip	x ^{*/**}	x [*]	-	x [*]	x [*]	x	x

** Not for Azalea[®] Max

* Not available as std from 1.st of April 2010

Castor Spokeguard	Azalea [®]	Bellis [™]	Clematis [®]	Focus [™]	Spirea ^{2/3/4} [®]	Spin [×]	XLT [™]
Spokeguard Frost	x	x	x	x	x	x	x

Safety	Azalea [®]	Bellis [™]	Clematis [®]	Focus [™]	Spirea ^{2/3/4} [®]	Spin [×]	XLT [™]
Standard brakes (Malta)	i	i	i	x	x	x	i
Brake lever extension	-	-	-	x	x	x	x
One arm brake	-	x	-	x	x	x	x ^{**}
Assistant operated drum brake 22" / 24"	x	x	x	x	x	x	x ^{***}
Assistant operated drum brake 16"	x	x	-	-	x [*]	-	-
Pelvic belt	x	x	x	x	x	x	x
Reflectors kit (wheels and chassis)	x	x	x	x	x	x	x
Auto lock armrest	x	x	x	x	x	x	x
Anti tip device	i	x	i	x	x	i	i

* Spirea² + Spirea⁴ ** Not for XLT Max

*** Only 24" wheels for XLT Max

Accessories	Azalea [®]	Bellis [™]	Clematis [®]	Focus [™]	Spirea ^{2/3/4} [®]	Spin [×]	XLT [™]
Table tray fixed	x	x	x	x	x	x	x ^{**}
Table tray swing away	x [*]	-	-	-	-	-	-
Pump	x	x	x	x	x	i	x
Cane holder	i	i	-	i	i	i	i

* Not for Azalea[®] Max

** Not for XLT Max

x	Same part
-	Not existing
i	Exists on individual product level

For the parts that are the same, see under next chapter for more info, for those parts that are individual for one wheelchair, see under specific product chapter

Armrests

Detachable armrests



Height adjustable, light, Rio



Height adjustable, long side plate

Flip-up armrests



Height adjustable for:
Rea™ **Focus**™ and Rea™ **Spirea^{2/3}**®

➤ Armrests

Armrests to the different wheelchair models*

Description	Azalea®	Bellis™	Clematis®	Focus™	Spirea ^{2/3/4} ®	Spin ^z	XLT.
Height adjustable, Rio	-	-	-	x**	x	x	x
Height adjustable, long side plate	x	x	x	x	x	x	x***
Height adjustable flip up	-	i	-	x**	x ^	x	x***
Height adjustable "comfort"	-	-	-	-	x ^^	-	-

** Not for Focus™ 150.

^ Not for Spirea4

*** Not for XLT Max

^^ Only for Spirea4

* Note that all front attachments for all armrest attachments have the same insert. That means that all armrests could be inserted in all attachments. However we recommend using of the original version for the respective wheelchair product as stated below.

Armrest attachments

Description	Azalea®	Bellis™	Clematis®	Focus™	Spirea ^{2/3/4} ®	Spin ^z	XLT.
Detachable	5106289			1431721	1434680		-
Flip-up, front	-	i	-				-
Flip-up, rear	-	i	-	i	1435492	i	i

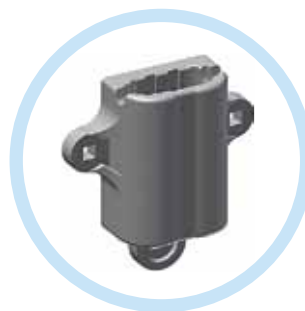
Rear attachment to Flip up is always included in the chassie



Armrest attachment
Detachable and Flip-up
Rea™ **Spirea^{2/3/4}**
Invacare® **Spin^z**



Armrest attachment
Detachable and Flip-up
Rea™ **Focus™**



Armrest attachment
Detachable Rea™ **Comfort™**
Rea™ **Bellis™**

➤ Armrests

Armrest pads including poles

I435616	Short narrow Left
I435615	Short narrow Right
I435618	Long narrow Left
I435617	Long narrow Right
I518702	"Ducktail" pad Left
I518701	"Ducktail" pad Right
I445787	Cushion for side support Left
I445786	Cushion for side support Right
I415453	Side support Cover Dartex
I493220	Hemiplegics armrest Left
I493219	Hemiplegics armrest Right



Short narrow



Long narrow



"Ducktail" pad



Cushion for side support
2 cm thick



Side support Cover:



Hemiplegics

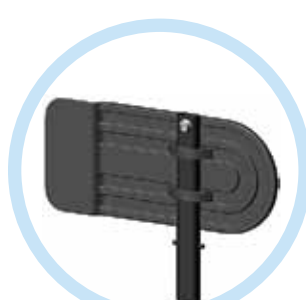
Armrest, lower part

Art.no.		Azalea[®]	Bellis[™]	Clematis[®]	Focus[™]	Spirea^{21314[®]}	Spin^x	XLT[™]
I415521	Height adjustable, longside plate Left	x	x	x	x	x	x	x
I415520	Height adjustable, longside plate Right	x	x	x	x	x	x	x
I435614	Height adjustable Flip up Left	—	—	—	x	x*	x	x
I435613	Height adjustable Flip up Right	—	—	—	x	x*	x	x

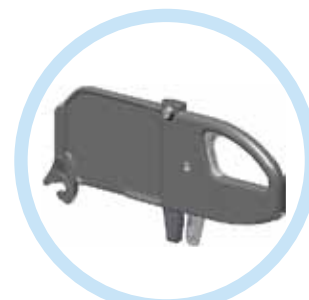
* Not for Spirea⁴



Height adjustable, cpl.
light weight, Rio



Height adjustable
lower part



Height adjustable, lower part
Flip up

➤ Armrests

Armrests pads including poles

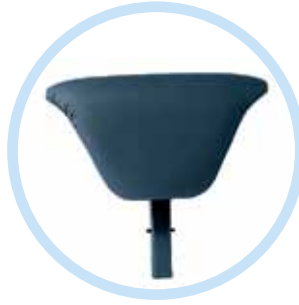
Description	Art.no.	
	Left	Right
Height adjustable Standard (Duck tail)	1451563	1451562
Long Wide	1427169	1427170
Padded	1492547	



Ducktail



Long wide



Padded



Flip-up

What armrest pad fits to what armrest

Description	Short narrow	Long narrow	Long shaped	Duck tail
Height adjustable, short side plate Rio	x	x	-	-
Height adjustable, long side plate	-	-	x	x
Height adjustable, flip up Bellis™	-	-	x	-
Height adjustable, flip up Spirea^{2/3}® / Focus™	-	-	-	-

Armrest Rio cpl

Description	Art.no.	Azalea®	Bellis™	Clematis®	Focus™	Spirea^{2/3/4}®	Spin⁺	XLT.
Height adjustable short pad Left	1435461	-	-	-	x	x	x	x
Height adjustable short pad Right	1435460	-	-	-	x	x	x	x
Height adjustable long pad Left	1435487	-	-	-	x	x	x	x*
Height adjustable long pad Right	1435486	-	-	-	x	x	x	x*

* Not for XLT Max

Armrest Flip-up, Height adjustable cpl

Description	Art.no.	Azalea®	Bellis™	Clematis®	Focus™	Spirea^{2/3}®	Spin⁺	XLT.
Height adjustable short pad Left	1435459	-	-	-	x	x	x	x*
Height adjustable short pad Right	1435458	-	-	-	x	x	x	x*
Height adjustable long pad Left	1435489	-	-	-	x	x	x	x*
Height adjustable long pad Right	1435488	-	-	-	x	x	x	x*

* Not for XLT Max

Armrest, Height adjustable cpl

Description	Azalea®	Bellis™	Clematis®	Focus™	Spirea^{2/3}®	Spin⁺	XLT.
Height adjustable "ducktail" pad Left			1517368 *			-	-
Height adjustable "ducktail" pad Right			1517367 *			-	-

* Not for Azalea® Max

➤ Backrests

Backrests



Backrest plate with extension



Tension adjustable backrest



Velcro adjustable for biangular backrest angle

Backrest types and versions

Description	Azalea®	Bellis™	Clematis®	Focus™	Spirea ^{2/3/4} ®	Spin ^x	XLT.
Backrest plate for reclining backrest ***	i ****	i	i	i	-	-	-
Backrest tension adjustable for Backrest cushion Passad 2 and Laguna	i ****	i	-	x	-	-	-
Tension adjustable backrest for reclining backrest ***	i ****	i	-	-	-	-	-
Sling or Velcro adjustable for fixed backrest angle *	-	-	-	x	i	x	-
Sling or Velcro adjustable for adjustable backrest angle **	-	-	-	x	x	x	-
Velcro adjustable for biangular backrest angle	-	-	-	i	-	-	-
Velcro tension adjustable, fixed height, infinitely variable, angle adjustable, foldable and click in backrest	-	-	-	-	-	-	x
Velcro tension adjustable, fixed height, infinitely variable, angle adjustable, foldable and click in backrest	-	-	-	-	-	-	x

* = Not for Spirea³ ** = Only for Spirea³ and Spirea⁴ *** = Not for Azalea® Max **** See individual parts

Backrest extension

Description	Art.no.	Azalea®	Bellis™	Clematis®	Focus™	Spirea ^{2/3/4} ®	Spin ^x
Extender backrest	1440147	—	410	—	—	—	—
Extender backrest	1440148	—	460	—	—	—	—
Extender backrest	1440149	—	510	—	—	—	—

Backrests

Backrests cushions to fit below seat width (measurements in mm)

Description	Art.no			Models/Sizes					
Mistral 2	Black Dartex	Black Plush ^^	Jemima	Azalea®	Bellis™	Clematis®	Focus™	Spirea ^{2/3} ®	Spin ^z
small	1431668-TR26	1431669-TR35	-	340 ***	-	-	-	-	-
			-	390 ***	-	-	380 ****	-	380 **
medium	1424651-TR26	1424651-TR35	-	440 ***	410	-	405-430 ****	-	405 / 430
large	1424652-TR26	1424652-TR35	-	490 ***	460	-	455-480 ****	-	455 / 480
x-large	1424653-TR26	1424653-TR35	-	-	510	-	505-530 ****	-	505
Laguna fixed shape									
Minor	1508972-TR26	1508972-TR35	-	340	-	-	-	-	-
xx-small	1439937-TR26	-	-	-	-	390 **	-	-	-
x-small	1427118-TR26	1427118-TR35	-	390 ***	-	-	380 ****	-	-
small	1427119-TR26	1427119-TR35	-	440 ***	410	440 **	430 ****	-	-
medium	1427120-TR26	1427120-TR35	-	490 ***	460	490 **	480 ****	-	-
large	1427121-TR26	1427121-TR35	-	-	510	-	-	-	-
Azalea Max	1525073-TR26	1525073-TR35	-	550	-	-	-	-	-
Azalea Max	1525075-TR26	1525075-TR35	-	610	-	-	-	-	-
Passad 2									
x-small	1429271-TR26	1429271-TR35	-	390 ***	-	-	-	-	-
small	1424647-TR26	1424647-TR35	-	440 ***	410	-	380-405****	-	-
medium	1424649-TR26	1424649-TR35	-	490 ***	460	-	430-455****	-	-
large	1429278-TR26	1429278-TR26	-	-	510	-	480-505****	-	-
Shoulder high									
small	1444275-TR26	-	-	390 ***	-	-	-	-	-
medium	1444276-TR26	-	-	440 ***	410	-	-	-	-
large	1444277-TR26	-	-	490 ***	460	-	-	-	-
x-large	1444278-TR26	-	-	-	510	-	-	-	-
Backrest cover Thin									
xx-small	-	5106739-TR35	5106739-TR18	-	-	-	380	380	380 **
x-small	-	5106740-TR35	5106740-TR18	-	-	-	405	405	405
small	-	5106741-TR35	5106741-TR18	-	-	-	430	430	430
medium	-	5106742-TR35	5106742-TR18	-	-	-	455	455	455
large	-	1435742	1435523	-	-	-	480	480	480
x-large	-	5106743-TR35	5106743-TR18	-	-	-	-	-	505
xx-large	-	1435743	1435524	-	-	-	530	-	-
Backrest cover Lateral									
x-small	1543667	1543668	-	390	-	-	-	-	-
small	1543669	1543670	-	440	410	-	-	-	-
medium	1543671	1543672	-	490	460	-	-	-	-
large	1543673	1543674	-	-	510	-	-	-	-
Azalea Max	1543675	1543676	-	550	-	-	-	-	-
Azalea Max	1543677	1543678	-	610	-	-	-	-	-

* Includes velcro adapter 1435619 ** Not plush *** For +50 mm and +100 mm width, see individual parts **** For Focus and backrest cushions, see individual parts / For XLT, see individual parts ^^ Available from mid April 2012 for Azalea & Bellis. Available from 1:st of May for Focus & Spirea 2/3.



Backrests

What backrest cover and cushion fit what backrest base?

Description	Mistral 2	Laguna	Passad 2	Backrest cover
Backrest plate Flex 3 (Azalea)	x	x	x	-
Backrestplate without extension	x	—	—	—
Backrestplate with extension	—	x	x	—
Plate Laguna	—	x	—	—
Velcro adjustable for fixed backrest angle	x	—	—	x
Velcro adjustable for adjustable backrest angle	x	—	—	x
Velcro adjustable for biangular backrest angle	—	—	—	x
Tension adjustable for reclining backrest	x	x	x	x

Backrest bar/Push handles (measurements in mm)

Description	Art.no.	Azalea®	Bellis™	Clematis®	Focus™	Spirea ^{2/3/4} ®	Spin ^x
Backrest bar	5106188-C9005	-	-	-	-	355 *	-
	5106399-C9005	-	-	-	380	380	380
	5221696-C9005	-	-	-	405	405	405
	5106331-C9005	-	-	-	430	430	430
	5106190-C9005	-	-	-	455	455	455
	1435484-9005	-	-	-	480	480	480
	5106191-C9005	-	-	-	50,5	50,5	50,5
	1435490-9005	-	-	-	530 Focus 150	-	-
Push handles rear mounted + attachment long grip	1434743	-	-	-	x	x	x
Push handles rear mounted + attachment short grip	1445825	-	-	-	x	x	x
Push handles rear mounted + attachment +10 cm	1445821	-	-	-	x	x *	-
Push bar	1444350	390	-	-	-	-	-
	5255136	440	410	-	-	-	-
	5255137	490	460	-	-	-	-
	5255138	-	510	-	-	-	-
High Push bar	1524533	550 **	-	-	-	-	-
	1524529	610 **	-	-	-	-	-
Push handles braced	1508953-0509	340	-	-	-	-	-
	1420007-0509	-	-	390	-	-	-
	1420008-0509	-	410	440	-	-	-
	1420009-0509	-	460	490	-	-	-
	1420010-0509	-	510	-	-	-	-
	1523947	550 **	-	-	-	-	-
	1523946	610 **	-	-	-	-	-
Push handles connected, w.adj	1557205	390-490	-	-	-	-	-

For XLT, see individual parts

** Azalea Max

* Spirea⁴



Backrest bar



Push handles



Push bar



Pushhandles braced

➤ Backrests

Neck- and Headrests

Description	Art.no
Neckrest depth adjustable	1508848
Headrest depth / width adjustable	1420161
Headrest with cheek support	1446560

Cover Neck- and Headrests

Description	Art.no.
Headrest cover	1518516
Neckrest cover	1518517



Neckrest, depth adjustable



Headrest depth / width adjustable



Headrest with cheek support



Cover for headrest

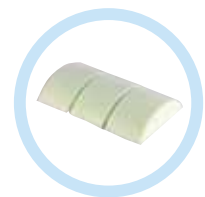
What neck-and headrest fit to what backrest base?

Description	Backrest Plate	Backrest Tension Adjustable	Backrest Plate Laguna	Velcro	Shaped Backrest
Neckrest depth adjustable	x	x	x	x	x
Headrest with cheek support	x	x	x	x	x
Headrest depth/width adjustable	x	x	x	x	x

Lumbar support cushion

Backrest options	Art.no.	Azalea®	Bellis™	Focus™	Spin ^x ™	XLT™
Lumbar support cushion	5252527	x	x	-	-	-
Wedges	1435491	x	x	x	x	x*

* Not for XLT Max



Lumbar support cushion

Trunk support

Description	Art.no		Azalea®	Bellis™	Clematis®	Focus™	XLT™
	Left	Right					
Trunk support Multi adj. with standard arm	1448692	1448693	-	x	-	-	-
Trunk support Multi adj. with extended arm	1484447	1484448	-	x	-	-	-
Trunk support Multi adj. with standard arm	1552726	1552727	x*	-	-	-	-
Trunk support Multi adj. with extended arm	1552728	1552729	x*/^	-	-	-	-
Trunk support swingaway	1551851	1551852	-	x	-	-	-
Trunk support swingaway	1557673	1557674	x*	-	-	-	-
Trunk support swingaway	1497859	1497854	-	-	x	-	-
Trunk support Multi adj. swing away	1530457	1530456	-	x	-	-	-
	1557675	1557676	x*	-	-	-	-
	1530500	1530482	-	-	x	-	-
	1530502	1530501					x**
Trunk support with standard arm	1551850	1551850	-	x	-	-	-
Trunk support with standard arm	1557672	1557672	x*	-	-	-	-
Trunk support with extended arm	1552680	1552681	x*/^	-	-	-	-
Trunk support small	1552651	1552652	-	-	x	-	-
Trunk support swingaway	1552655	1552656	-	-	x	-	-
Trunk support swingaway	1552734	1552735	-	-	-	x	-
Trunk support with standard arm	1552739	1552740	-	-	-	-	x**

* Not for Azalea® Max
^ Only for fixed backrest

** Not for XLT Max



Trunk support Multi adjustable



Trunk support swingaway



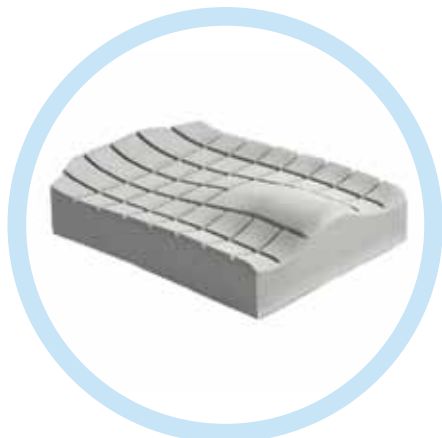
Trunk support



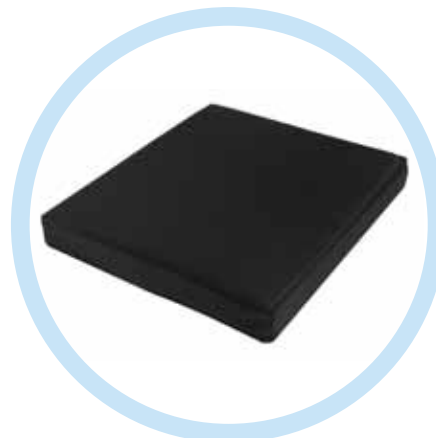
Trunk support with extended arm

Seat cushions

Seat cushions



Seat cushion Flo Shape



Seat cushion Standard flat

Seat cushions to fit below seat width (measurements in mm)

Description	Art.no.			Azalea [®] ****	Bellis [™]	Clematis [®]	Focus [™]	Spirea ^{2/3/4} [®]	Spin ^z	XLT.
	Jemima	Black Dartex	Black Plush ^{^^}							
Flo Shape		1509920-TR26	1509920-TR35	340						
		1508053-TR26	1508053-TR35			390 *				
		1508055-TR26	1508055-TR35	390 **	410	440 *				
		1508057-TR26	1508057-TR35	440 **	460	490 *				
		1508059-TR26	1508059-TR35	490 **	510					
Standard seat cushion seat depth 40 cm	5104255-TR18		5104317-TR35					355 ***		355*
	5104317-TR18		5103179-TR35				380	380	380*	380*
	5103179-TR18		5104262-TR35					405	405*	405*
	5104262-TR18		5103180-TR35				430	430	430*	430*
	5103180-TR18		5226509-TR35					455	455*	455*
	5226509-TR18		5104269-TR35				480	480	480*	480*
	5104269-TR18		5104319-TR35					505	505*	505*
Standard seat cushion seat depth 450 mm	5104257-TR18		5104259-TR35					355 ***		355*
	5104319-TR18		5104264-TR35				380	380	380*	380*
	5104259-TR18		5104266-TR35					405	405*	405*
	5104264-TR18		5226510-TR35				430	430	430*	430*
	5104266-TR18		5104271-TR35					455	455*	455*
	5226510-TR18		1435445-TR35				480	480	480*	480*
	5104271-TR18							505	505*	505*
Standard seat cushion seat depth 50 cm	1435429						530			
	1512809									355*
	1495830								380*	380*
	1495831								405*	405*
	1495832								430*	430*
	1495833							455 ***	455*	455*
	1495834							480 ***	480*	480*
1495835							505 ***	505*	505*	

* Not in plush

^^ Available from mid April 2012 for Azalea & Bellis. Available from 1:st of May for Focus & Spirea 2/3.

*** Spirea⁴

** For +50 mm and +100 mm width, see individual parts

For XLT Max, see individual parts

**** For Azalea Max, see individual sheet

➤ Seat cushions

Seat cushions to the different wheelchair models

Description	Azalea ®	Bellis ™	Clematis ®	Focus ™	Spirea 21314®	Spin z	XLT ™
Flo-Shape	×	×	×	-	-	-	-
Standard, flat	-	-	×	×	×	×	×
Flo-Tech Countour	-	-	-	-	-	-	×

* For XLT Max

Seating options (measurements in mm)

Description	Art.no.	Azalea ® **	Clematis ®	Bellis ™
Abduction cushion in Dartex		1444172		1444173
Incontinence seat cover	Art.no.	Azalea ® **	Clematis ®	Bellis ™
Minor	1510636	340	-	-
Small	5253078-TR26	390*	-	-
Medium	5253079-TR26	440*	-	410
Large	5253080-TR26	490*	-	460
X-Large	5253617-TR26	-	-	510

* For +5 cm and +10 cm width, see individual parts

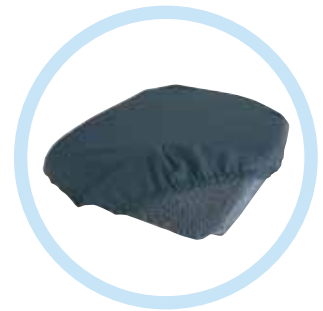
** For Azalea Max, see individual sheet



Abduction cushion **Bellis**™



Abduction cushion
Azalea® **Clematis**®



Incontinence seat cover

Legrests & Footrests

Legrests and Footrests



Fixed legrests



Angle adjustable legrests

Hangers to fit to wheelchair

Description	Art.no.	Azalea®	Bellis™	Clematis®	Focus™	Spirea ²¹³¹⁴ ®	Spin ^x	XLT ^o
Fixed 80°	1493055-0509	x	x	-	x	x	x	x**
Fixed 90°	1443056-0509	x	x	-	x	x***	x	x*
Angle adjustable Left	1508945	-	-	-	x	x	x	x*
Angle adjustable Right	1508948	-	-	-	x	x	x	x*
Angle adjustable Left	1513007	x	x	x	-	-	-	-
Angle adjustable Right	1513006	x	x	x	-	-	-	-

* Only for XLT Swing

** Only for XLT Swing, also available in chassie colour, see individual parts

*** Only for Spirea 4 NG



Fixed hanger 80°



Fixed hanger 90°



Angle adjustable hanger

Legrests & Footrests

Footrests to fit seat width in mm

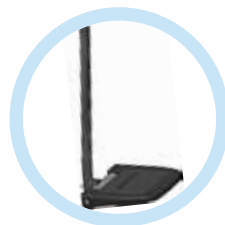
Description	Art.no.				Width							
	Left		Right		Azalea®	Bellis™	Clematis®	Focus™	Spirea ^{2/3/4} ®	Spin ^z	XLT.	
	Short	Long	Short	Long								
Fixed footrest												
Footrest 19	1428357	1428359	1428358	1428360	***			380 / 405	380 / 405 ^	380 / 405	380 / 405	
Footrest 21	1428361	1428363	1428362	1428364	390	410	390	430 / 455	430 / 455 ^	430 / 455	430 / 455	
Footrest 24	1428365	1428367	1428366	1428368	440	460	440	480 / 505	480 / 505 ^	480 / 505	480 / 505	
Footrest 27	1435756	1435659	1435757	1435660	490	510	490	530				
Footrest 27	1435756	1435659	1435757	1435660		510 *		530 / 55,5*				
Adjustable footrest in depth and angle												
Footrest 12	1485430	1485428	1485524	1485429					355 ^^		355	
Footrest 14	1429159	1429171	1429160	1429172				380 / 405	380 / 405	380 / 405	380 / 405	
Footrest 16	1429161	1429173	1429162	1429174								
Footrest 17	1429163	1429175	1429164	1429176	340 / 390		390	430 / 455	430	430 / 455	430 / 455	
Footrest 18	1429165	1429177	1429166	1426178	440	410	440					
Footrest 19	1429167	1429179	1429168	1429180	490			480	480	480	480	
Footrest 20	1429169	1429181	1429170	1429182		460 / 510	490	505	505	505	505	
Footrest 20	1440036	1440038	1440037	1440039		510*		530 / 555*				
Adjustable footrests in depth and angle to fit 90 hangers **												
Footrest 116	1491369	1491377	1491370	1491378					405 ^^	405	405	
Footrest 141	1491371	1492170	1491372	1492263					455 ^^	455	455	
Footrest 166	1491375	1492264	1491376	1492265					505 ^^	505	505	
Footrest 177	1446130	1446136	1446131	1446137				380 / 405	380 ^^	380	380	
Footrest 202	1446132	1446138	1446133	1446139	340 / 390	410		430 / 455	430 ^^	430	430	
Footrest 227	1446134	1446140	1446135	1446141	440	460		480* / 505	480 ^^	480	480	
Footrest 247	1446159	1446161	1446160	1446162	490	510*						

* Heavy version 150kg ** Not for heavy version 150kg
 *** For +50 mm and +100 mm width, see individual parts

^^ Spirea⁴



Fixed footrest



Adjustable footrest in depth and angle



Adjustable footrest in depth and angle (To fit hanger 90°)

Legrests & Footrests

One piece footplate to fit seat width in mm							
Description	Art.no.		Azalea®	Focus™	Spirea ^{2/3/4} ®	Spin ^x	XLT™
	Short	Long					
Adjustable footrests in depth and angle to fit 80 degree hangers **	1496945	1496954		380 / 405	380	380	380*
	1496946	1496955			405	405	405*
	1496947	1496982		430 / 455	430	430	430*
	1496948	1497004			455	455	455*
	1496949	1497005		480 / 505	480	480	480*
	1496953	1497006			505	505	505*
Adjustable footrests in depth and angle to fit 90 degree hangers **	1491247	1493349		380 / 405	380	380	380*
	1491248	1493350			405	405	405*
	1493267	1493351		430 / 455	430	430	430*
	1493268	1493358	340 / 390		455	455	455*
	1493269	1493359		480 / 505	480	480	480*
	1493270	1493377	440		505	505	505*
	1495821	1495825	490	530** / 555**		530	530*
1495822	1495826	490					



One piece footplate

** Heavy version.

*** For +50 mm and +100 mm width, see individual parts

* For XLT Swing

Calf support used for angle adjustable legrests and fits in seat width mm								
Description	Art.no.		Azalea®	Bellis™	Clematis®	Focus™	Spirea ^{2/3/4} ®	Spin ^x
	Left	Right						
Calf support 36	1518616						355 *	
Calf support 38	1518617					380 / 405	380	380
Calf support 16	1518531					430 / 455	405 / 430	405 / 430
Calf support 19	1518532					480 / 505	455 / 480	455 / 480
Calf support 22	1518533					530 / 555	505	505
Calf support 16	1516313		340 / 390		390			
Calf support 19	1516314		440	410	440			
Calf support 22	1516315		490	460 / 510	490			
Calf support Azalea® Max	1525057	1525058	550 / 610					

* Spirea⁴



Calf support **Azalea®**, **Assist™**, **Bellis™**, **Clematis®**



Calf support **Focus™**, **Spirea^{2/3/4}®**, **XLT™** and **Spin^x**



Calf support **Azalea® Max**

Legrests & Footrests

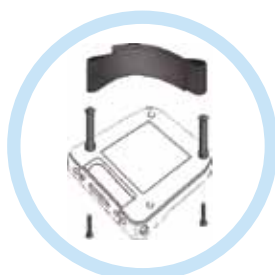
Footplate extender for angle adjustable footplate (Excluding Central footplate) (measurements in mm)

Description	Art.no.		Width					
	Left	Right	Azalea ®	Assist ™	Bellis ™	Clematis ®	Focus ™	Spirea ²³¹⁴®
Extender 135	5255297	5255296	-	-	-	380	380	380 / 405
Extender 160	5255299	5255298	340 - 490	Fit to all	Fit to all	430 / 480 / 530	405 / 430 455 / 505	430 / 455 480 / 505

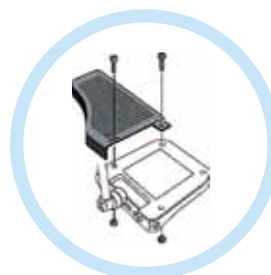
Heel straps Fits all footrests in all sizes (Excluding Central footplate)

Description	Art.no.	Azalea ®	Bellis ™	Clematis ®	Focus ™	Spirea ²³¹⁴®	Spin ⁴	XLT
Heel straps 40-50	5322013	x	x	x	x	x	x	x*

* Not for XLT Max



Heel strap 40-50



Footplate extender

Legrests, Footrests and others



Central legrest



Legrest amputee



Plaster Legrest

Complete legrests

Description	Art.no.		Azalea ®	Bellis ™	Focus ™	Spirea ²³¹⁴®	Spin ⁴
	Left	Right					
Central legrest	1484821		x	-	-	-	-
	1424640		-	x	-	-	-
Legrest amputee	1442991	1442990	x	x	x	x*	x
Plaster legrest	1435771	1435770	-	-	x	x	-

* For Spirea⁴, see individual sheet

For legrest attachment an individual adapter to respective Tilt and Recline wheelchair is needed. One version for Central Hanger and another attachment for the other Hangers. Please read more under the individual Product chapters. Note that in the Art.no above of Central footplate, the adapter is included

Castor attachments

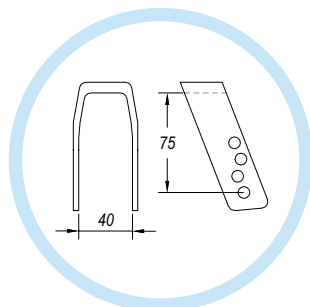
Description	Azalea®	Bellis™	Clematis®	Focus™	Spirea ^{2/3/4} ®	Spin ^x	XLT ₂
Fixed	x	x	x	i	i	i	-
Quick release	-	x	-	-	-	-	-
Fixed with angleadjustment 0-6°	-	-	-	x	x	x	i

Castor forks

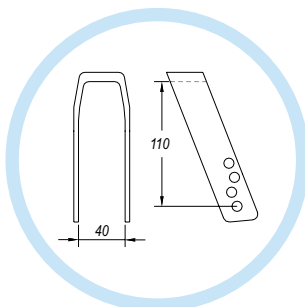
Description	Azalea®	Bellis™	Clematis®	Focus™	Spirea ^{2/3/4} ®	Spin ^x	XLT ₂
75 mm - narrow	-	-	-	-	x	x	i
110 mm - narrow	x	x	-	x	x	x	i
110 mm - wide	x	x	x	x	x	x	i
150 mm - narrow	x	x	-	x	x	x	i
150 mm - wide	x	x	-	x	x	x	i

Castor attachment type

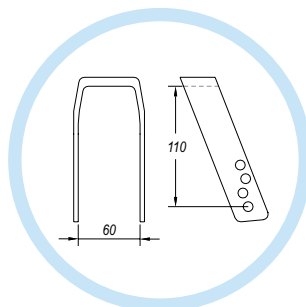
Description	Azalea®	Bellis™	Clematis®	Focus™	Spirea ^{2/3/4} ®	Spin ^x	XLT ₂
Castor attachment fixed		5254308		i	i	i	i



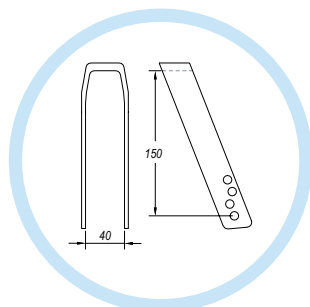
75 - narrow



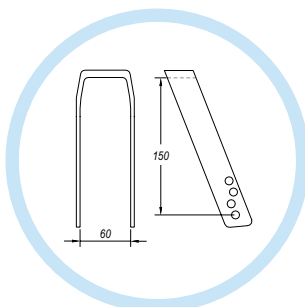
110 - narrow



110 - wide



150 - narrow



150 - wide

Art.no of castors in combination with forks			
Description Castor (Approximate in inch")	Forks	Art.no.	
		Fixed Castor + fork	QR Castor + fork
75x24 hard (3")	75	1512762	—
	110	1512763	—
	150	1512764	—
125 x 27 medium hard (5")	75	1439995	—
	110	5320710	5322102
	150	5320727	5322104
140 x 37 soft (5,5")	110	5322135	5322137
	150	5322136	5322138
150 x 30 medium hard (6")	110	1555791	1555793
	150	1555792	1555794
150 x 30 soft (6")	110	5750808	5750809
	150	5750810	5750811
150 x 32 pneumatic (6")	110	5321788	5322106
	150	5321782	5322108
180 x 40 pneumatic (7")	110	5750789	5750790
	150	5750791	5750792
180 x 40 soft (7")	110	5750784	5750785
	150	5750786	5750787
200 x 27 medium hard (8")	110	5320717	5322112
	150	5320729	5322114
200 x 30 soft (8")	110	5750802	5750803
	150	5750804	5750805
200 x 32 pneumatic (8")	110	5104188	5322111
	150	5750889	5322113
200 x 45 medium hard (8")	110	5322143	5322144
	150	5322147	5322148
200 x 50 pneumatic (8")	110	5322145	5322146
	150	5322149	5322150

For XLT, see individual parts

For Spirea⁴, see individual parts

Front castors



75x24 medium hard



100x27 medium hard



125x27 soft



140x37 soft



150x30 medium hard



150x30 soft



150x32 pneumatic



180x40 pneumatic



180x40 soft



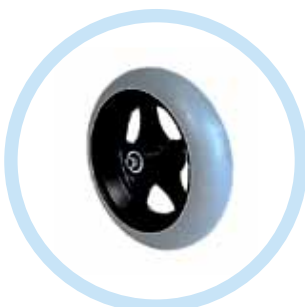
200x27 medium hard



200x30 soft



200x32 pneumatic

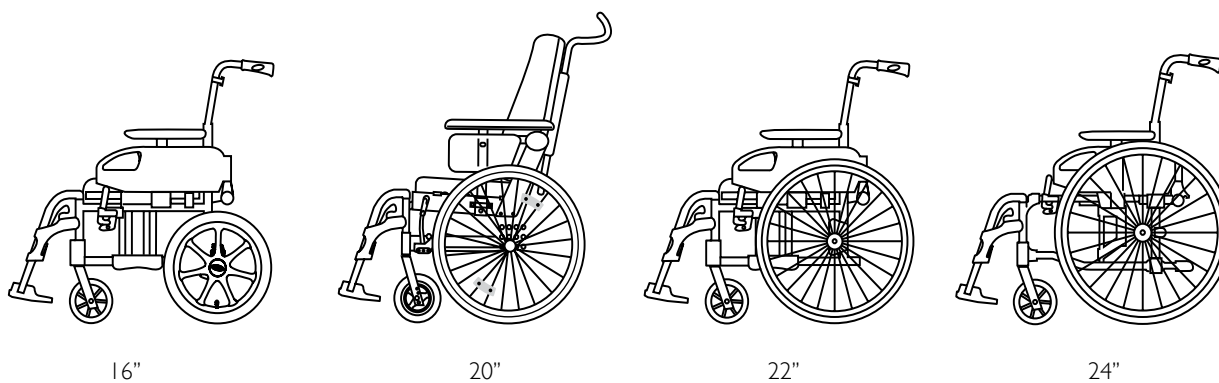


200x45 medium hard



200x50 pneumatic

➤ Rear wheels



Tyre type and size of rearwheel					
Description	16"	20"	22"	24"	24" basic
Tyres low profile (24 x 1 1/8") *	-	-	-	x	-
Tyres low profile (24 x 1")	-	-	-	x	-
Tyres pneumatic non marking	-	x	x	x	-
Tyres pneumatic profiled	x	x	x	x	x
Tyres solid	x	-	x	x	x
Tyres puncture proof	-	-	x	x	-



low profile

- Not compatible with this model

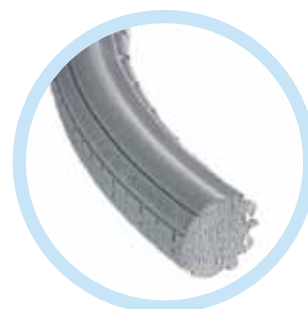
* Not standard on all models from 1:st of April 2010



pneumatic non marking



pneumatic profiled



solid



puncture proof

Handrims and size of rearwheel				
Description	16"	20"	22"	24"
Handrim aluminium	-	1530271 **	1531579 **	1531577 **
Handrim stainless *	-	-	-	1531305 **
Handrim plastic coated	-	1530272 **	1531580 **	1531578 **
Handrim foam coated *	-	-	-	1531459 **
Handrim black grip *	-	-	-	1531460 **



Aluminium

- Not compatible with this model

* Not standard on all models from 1:st of April 2010

** Available from 1:st of April 2010



Stainless



Plastic coated



Foam coated



Black grip

Rear wheels

Art.nos of rearwheels in combination with tyres and handrims (for 16" see next chapter under Drum brakes)

Description	Tyres						
	Rear wheel size	Low profile	Pneumatic non marking	Pneumatic profiled	Solid	Puncture proof	Low profile XLT™ *** and Spin ™
Aluminium	20"	-	1523885 **	1523944 **	-	-	-
	22"	1524020 **	1523948 **	1523949 **	1524021 **	1524022 **	-
	24"	1524049 **	1524029 **	1524030 **	1524050 **	1524150 **	1530008 **
Aluminium (Basic)	24"	-	-	1492642	1492643	-	-
Stainless *	24"	1531063 **	1530763 **	1530764 **	1530762 **	1531129 **	-
Plastic coated	22"	1524026 **	1524023 **	1524024 **	1524027 **	1524028 **	-
	24"	1524187 **	1524163 **	1524186 **	1524188 **	1524189 **	-
Foam coated *	22"	-	-	-	-	-	-
	24"	1531533 **	1531462 **	1531508 **	1531531 **	1531532 **	-
Black grip *	24"	1531566 **	1531538 **	1531563 **	1531564 **	1531565 **	-

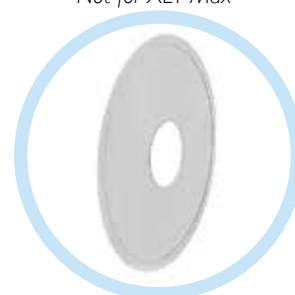
* Not standard on all models from 1:st of April 2010

** Available from 1:st of April 2010

*** Not for XLT Max

Spoke guards with Art.nos

Description	16"	20"	22"	24"	24" basic
Spokeguard Frost	—	5102795	5102800	5102807	5102807



Frost

Art.nos of rearwheels for drum brakes in combination with tyres and handrims ***

Description	Rear wheel size	Tyres			
		Pneumatic non marking	Pneumatic profiled	Solid	Puncture proof
Handrim Aluminium	22"	1524289 **	1524290 **	1524291 **	1524292 **
	24"	1524436 **	1524437 **	1524447 **	1524512 **
Stainless *	22"	-	-	-	-
	24"	1531064 **	1531080 **	1531127 **	1531128 **
Plastic coated	22"	1524337 **	1524361 **	1524388 **	1524435 **
	24"	1524513 **	1524514 **	1524515 **	1524516 **
Black grip *	24"	1531567 **	1531568 **	1531569 **	1531570 **

* Not standard on all models from 1:st of April 2010 ** Available from 1:st of April 2010

*** For complete drum brake kit see Spare part catalogue



Rear wheel for drum brake

Rear wheels

Rear wheels for drumbrakes							
Description	Azalea[®]	Bellis[™]	Clematis[®]	Focus[™]	Spirea^{2/3/4[®]}	Spin[®]	XLT[®]
Ass.operated drumbrake 22 / 24"	x	x	x	x	x	x	x **
Ass.operated drumbrake 16"	x	x	-	-	x *	-	-

* Spirea^{2®} ** Only 24" wheels for XLT Max



Assistant operated drum
brake 22" / 24"



Assistant operated drum
brake 16"

Brakes incl. Attachment								
Description	Art.no.		Azalea®	Bellis™	Clematis®	Focus™	Spirea ^{2/3/4} ®	Spin ^x
	Left	Right						
Standard brakes	1485423	1485424	x	-	-	-	-	-
Standard brakes	1446041	1444342	-	-	x	-	-	-
Standard brakes (Malta)	1415485	1415486	-	-	-	-	x	x
Standard brakes, Focus	1435800	1435799	-	-	-	x	-	-
Standard brakes	5255117	5255124	-	x	-	-	-	-
Brake lever extension	5203340	5203340	-	-	-	x	x	x
One arm brake	1492107	1492000	-	-	-	-	x	x
One arm brake	1449900	1449899	-	-	-	x	-	-
One arm brake	5255418	5255426	-	x	-	-	-	-
User manoeuvred brake 16" Bellis	1446121	1446122	-	x	-	-	-	-
User manoeuvred brake 16" Spirea ²	1446111	1446112	-	-	-	-	x	-



Standard brakes (Malta)



Brake lever extension



One arm brake

Safety							
Description	Azalea®	Bellis™	Clematis®	Focus™	Spirea ^{2/3/4} ®	Spin ^x	XLT™
Pelvic belt		1551066 ***		1543660	1543658 ^	1543662	1551066
Auto lock armrest				5721060			
Anti tip device	1439933	5255306	**	1435470	5255306 ^	i	i

i = see individual part
 *** Part of frame

* Transport version see individual part
 *** For Azalea Max see individual part

^ For Spirea⁴ see individual parts



Pelvic belt



Reflectors kit



Auto lock armrest



Anti tip device

Table Tray (measurements in mm)

Description	Art.no.	Azalea® **	Bellis™	Clematis®	Focus™	Spirea ^{2/3/4} ®	Spin ^z	XLT.
Table tray fixed small	5206727			390	380 / 405	355 ^ / 380 / 405	380 / 405	355 / 380
Table tray fixed medium	5206726		410	440	430 / 455	430 / 455	430 / 455	405 / 430
Table tray fixed large	5206725		460	490	480 / 505	480 / 505	505	455 - 505
Table tray fixed X-large	5207643		510		530 *			

^ Spirea⁴

* = Focus 150

** For Azalea see individual part



Table tray fixed

Cane holder

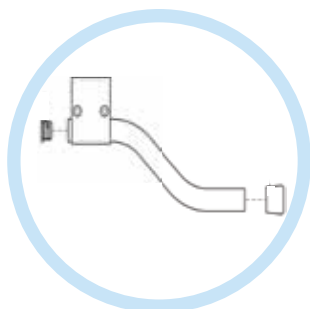
Description	Art.no.						
	Azalea®	Bellis™	Clematis®	Focus™	Spirea ^{2/3/4} ®	Spin ^z	XLT.
Cane holder	5295015		-	1435764	5104964		5106390

Step tube

Description	Art.no.						
	Azalea®	Bellis™	Clematis®	Focus™	Spirea ³ ®	Spin ^z	XLT.
Step tube	-	-	-	5103276	-	1493346	-



Cane holder



Step tube Focus, Spirea 3



Step tube XLT, Spin-X



Rea™ **Azalea**® – Individual Parts

Offers excellent seating comfort and many adjustment possibilities!

The ® **Azalea**® is the natural choice for the moderately active user as well as for the more passive one. The comfortable seating system allows the user to alter the seat position, ensuring maximum comfort at all times. This combined with good driving characteristics makes **Azalea**® the ideal choice. **Azalea**® is a self propelling wheelchair with large rear wheels, and is complimented with an alternative transit version with 16" rear wheels.



Rea™ **Azalea**®



Rea™ **Azalea**® Minor



Rea™ **Azalea**® Assist



Rea™ **Azalea**® Base



Rea™ **Azalea**® Tall



Rea™ **Azalea**® Max



Rea™

Azalea® – Individual Parts

Sizes	Azalea®	Azalea® 16"	Azalea® Tall	Azalea® Base	Azalea® Minor	Azalea® Max
Seat dimensions (measurements in mm)						
Seat width	390 / 440 / 490 +50 / 100 mm			340 / 390 / 440 / 490 +50 / 100 mm	340 +50 / 100 mm	550 / 610 +50 / 100 mm
Seat depth	430 - 500		480 - 550	380 - 500	380 - 450	530 - 600
Seat height	400 / 450		500	400 / 450	400 / 450	400 / 450
Cross list for common parts						
Backrest type						
Backrest plate	x	x	x	-	x	-
Velcro adjustable	x	x	x	-	x	i
Backrest tubes reclining	x	x	x	x	x	x
Backrest Cover and Cushion Type						
Cover Lateral	x	x	x	-	-	x
Mistral 2	x	x	x	-	x	-
Laguna	x	x	x	-	x	x
Passad 2	x	x	x	-	-	-
Shoulder High	x	x	x	-	-	-
Backrest options/ pushhandles						
Push bar	x	x	x	-	-	i
Push handles braced	x	x	x	x	x	i
Seat type						
Firm seat plate, depth adj.	x	x	x	x	x	x
Seat plate with wedges	-	-	-	x	-	-
Sliding seat	x	x	x	-	-	-
Wheel base seat	-	-	-	x	-	-
H-bracket	-	-	-	x	-	-
Seat Cushions						
Flo-shape	x	x	x	x	x	-
Max seat cushion	-	-	-	-	-	x
Legrests / Hangers						
Central legrest, incl calf pad, footrest and attachment	x	x	x	x	-	-
Hanger angle adjustable	x	x	x	x	x	x
Hanger fixed 80 deg	x	x	x	x	x	-
Hanger fixed 90 deg	x	x	x	x	-	-
Legrest amputee	x	x	x	x	x	-
Legrest attachment width adj.	x	x	x	x	x	x
Footrests						
Footrest one piece	x	x	x	x	x	i
Fixed footplate	x	x	x	x	x	-
Adjustable footplate angle/ depth	x	x	x	x	x	x
Adjustable footplate angle	x	x	x	x	x	-
Armrest Pads						
Long, wide	-	x	-	-	-	x
Padded	x	x	x	x	x	-
Ducktail	x	x	x	x	x	-



Rea™ Azalea® – Individual Parts

Sizes	Azalea®	Azalea® 16"	Azalea® Tall	Azalea® Base	Azalea® Minor	Azalea® Max
Seating options						
Abduction cushion in Dartex	x	x	x	-	x	-
Incontinence cover for seat-cushion	x	x	x	-	x	x
Backrest options						
Neckrest depth adjustable	x	x	x	x	x	x
Headrest with cheek support	x	x	x	x	x	x
Headrest depth / width adjustable	x	x	x	x	x	x
Trunk support multi adjustable with standard arm	x	x	x	-	x	-
Trunk support multi adjustable with extended arm	x	x	x	-	x	-
Trunk support, detachable with standard arm	x	x	x	-	x	-
Trunk support, detachable with extended arm	x	x	x	-	x	-
Trunk support, swing away	x	x	x	-	x	-
Lumbar support cushion	x	x	x	-	x	x
Wedges	x	x	x	-	x	x
Privacy attachment	x	x	x	-	x	-
Legrest / Footrest options						
Heel straps	x	x	x	x	x	-
Calf pads	x	x	x	x	x	i
Footplate extender	x	x	x	x	x	-
Armrest options						
Hemiplegics	x	x	x	x	x	-
Side support cover	x	x	x	x	x	x
Cushion to side support	x	x	x	x	x	x
Rear Wheel size / type						
16"	-	x	x	x	x	x
22"	x	-	x	x	x	x
24"	x	-	x	x	x	x
Safety						
X-Harness	-	-	-	-	x	-
Accessories						
Table tray Fixed	x	x	x	x	-	x
Table tray Swing-away	x	x	x	x	x	-

16" Transit wheels Azalea® Max				
Description	Azalea® *	Azalea® Base	Azalea® Max	Azalea® Tall
16" solid DB wheels, pair	1536343		1536735	
16" pneumatic DB wheels, pair	1536342		-	1536736

* Not for Azalea Max and Azalea Tall



Rea™ **Azalea® – Individual Parts**

Seat type (measurements in mm)						
Description	Art.no.					
	340	390	440	490	550	610
Sliding seat	-	1484576	1484577	1484578	-	-
Seat plate Azalea® Base	1508789	1508790	1508791	1508791	1525083 *	1525082 *
Seat plate with wedges Azalea® Base	1542434	1542435	1542436	1542437	-	-
H-bracket Azalea® Base	1508908				-	-

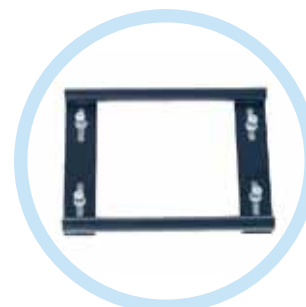
* Included in the chassie module



Seat plate with wedges



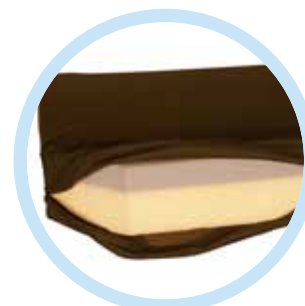
Sliding seat



H-bracket

Seat cushion Azalea® Max (measurements in mm)			
Description	Seat width in mm	Art.no.	
		Black Dartex	Black Plush *
Max seat cushion	550	1536595-TR26	1536595-TR35
	610	1536596-TR26	1536596-TR35

* Available from 2012-05-01



Max seat cushion

Seat cushion Flo-shape seat width + 50 mm and + 100 mm			
Description	Seat width in mm	Art.no.	
		Black Dartex	Black Plush *
Seat cushion Flo-shape	340 + 50	1509920-TR26	1509920-TR35
	340 + 100	1509920-TR26	1509920-TR35
	390 + 50	1508055-TR26	1508055-TR35
	390 + 100	1508055-TR26	1508055-TR35
	440 + 50	1508057-TR26	1508057-TR35
	440 + 100	1508057-TR26	1508057-TR35
	490 + 50	1508059-TR26	1508059-TR35
	490 + 100	1508059-TR26	1508059-TR35

* Available from 2012-05-01

Backrest Velcro adjustable Azalea® Max					
Description	Azalea® Max				
	Seat width in mm				
	390	440	490	550	610
Backrest Velcro adjustable Azalea®	1543733	1543734	1543734	1526824	1526823



Backrest Velcro adjustable Azalea Max



Rea™ Azalea® – Individual Parts

Backrest plate Azalea®

Description	Azalea®		
	Seat width in mm		
	390	440	490
Backrest Plate Azalea	I542559	I546555	I546556



Backrest plate Azalea

Backrest cushion mounting kit Azalea

Description	Azalea®					
	Seat width in mm					
	Laguna 2			Mistral 2		
	390	440	490	390	440	490
Mounting kit for backrest cushion	I543737			I533742		

Backrest cushions seat width + 50 mm and + 100 mm

Description	Azalea®		Art.no.	
	Seat width in mm	Backrest width adj.	Black Dartex	Black Plush *
Mistral 2	340 + 50	NONE	I431668-TR26	I431668-TR35
	340 + 50	+ 50 mm	-	-
	340 + 50	+ 100 mm	-	-
	340 + 10	NONE	I431668-TR26	I431668-TR35
	340 + 10	+ 50 mm	-	-
	340 + 10	+ 100 mm	-	-
	390 + 50	NONE	I431668-TR26	I431668-TR35
	390 + 50	+ 50 mm	I424651-TR26	I424651-TR35
	390 + 50	+ 100 mm	I424652-TR26	I424652-TR35
	390 + 100	NONE	I431668-TR26	I431668-TR35
	390 + 100	+ 50 mm	I424651-TR26	I424651-TR35
	390 + 100	+ 100 mm	I424652-TR26	I424652-TR35
	440 + 50	NONE	I424651-TR26	I424651-TR35
	440 + 50	+ 50 mm	I424652-TR26	I424652-TR35
	440 + 50	+ 100 mm	I424653-TR26	I424653-TR35
	440 + 100	NONE	I424651-TR26	I424651-TR35
	440 + 100	+ 50 mm	I424652-TR26	I424652-TR35
	440 + 100	+ 100 mm	I424653-TR26	I424653-TR35
	490 + 50	NONE	I424652-TR26	I424652-TR35
	490 + 50	+ 50 mm	I424653-TR26	I424653-TR35
	490 + 50	+ 100 mm	-	-
	490 + 100	NONE	I424652-TR26	I424652-TR35
	490 + 100	+ 50 mm	I424653-TR26	I424653-TR35
	490 + 100	+ 100 mm	-	-



Mistral 2

* Available from mid April 2012



Rea™ Azalea® – Individual Parts

Backrest cushions seat width + 50 mm and + 100 mm

Description	Azalea®		Art.no.	
	Seat width in mm	Backrest width adj.	Black Dartex	Black Plush *
Laguna 2 fixed shape	340 + 50	NONE	1508972-TR26	1508972-TR35
	340 + 50	+ 50 mm	-	-
	340 + 50	+ 100 mm	-	-
	340 + 100	NONE	1508972-TR26	1508972-TR35
	340 + 100	+ 50 mm	-	-
	340 + 100	+ 100 mm	-	-
	390 + 50	NONE	1427118-TR26	1427118-TR35
	390 + 50	+ 50 mm	1427119-TR26	1427119-TR35
	390 + 50	+ 100 mm	1427120-TR26	1427120-TR35
	390 + 100	NONE	1427118-TR26	1427118-TR35
	390 + 100	+ 50 mm	1427119-TR26	1427119-TR35
	390 + 100	+ 100 mm	1427120-TR26	1427120-TR35
	440 + 50	NONE	1427119-TR26	1427119-TR35
	440 + 50	+ 50 mm	1427120-TR26	1427120-TR35
	440 + 50	+ 100 mm	1427121-TR26	1427121-TR35
	440 + 100	NONE	1427119-TR26	1427119-TR35
	440 + 100	+ 50 mm	1427120-TR26	1427120-TR35
	440 + 100	+ 100 mm	1427121-TR26	1427121-TR35
	490 + 50	NONE	1427120-TR26	1427120-TR35
	490 + 50	+ 50 mm	1427121-TR26	1427121-TR35
	490 + 50	+ 100 mm	-	-
	490 + 100	NONE	1427120-TR26	1427120-TR35
	490 + 100	+ 50 mm	1427121-TR26	1427121-TR35
490 + 100	+ 100 mm	-	-	

* Available from mid April 2012

Backrest cushions seat width + 50 mm and + 100 mm

Description	Azalea® Max	Art.no.	
	Seat width in mm	Black Dartex	Black Plush *
Laguna 2	550	1525073-TR26	1525073-TR35
	550 + 50	1525075-TR26	1525075-TR35
	550 + 100	1525075-TR26	1525075-TR35
	610	1525075-TR26	1525075-TR35
	610 + 50	1525075-TR26	1525075-TR35
	610 + 100	1525075-TR26	1525075-TR35

* Available from mid April 2012



Laguna,
Fixed shape



Rea™ Azalea® – Individual Parts

Backrest cushions seat width + 50 mm and + 100 mm				
Description	Azalea®		Art.no.	
	Seat width in mm	Backrest width adj.	Black Dartex	Black Plush *
Passad 2	390 + 50	NONE	I429271-TR26	I429271-TR35
	390 + 50	+ 50 mm	I424647-TR26	I424647-TR35
	390 + 50	+ 100 mm	I424647-TR26	I424647-TR35
	390 + 100	NONE	I429271-TR26	I429271-TR35
	390 + 100	+ 50 mm	I424647-TR26	I424647-TR35
	390 + 100	+ 100 mm	I424647-TR26	I424647-TR35
	440 + 50	NONE	I424647-TR26	I424647-TR35
	440 + 50	+ 50 mm	I424649-TR26	I424649-TR35
	440 + 50	+ 100 mm	I424649-TR26	I424649-TR35
	440 + 100	NONE	I424647-TR26	I424647-TR35
	440 + 100	+ 50 mm	I424649-TR26	I424649-TR35
	440 + 100	+ 100 mm	I424649-TR26	I424649-TR35
	490 + 50	NONE	I429278-TR26	I429278-TR35
	490 + 50	+ 50 mm	I429278-TR26	I429278-TR35
	490 + 50	+ 100 mm	-	-
	490 + 100	NONE	I429278-TR26	I429278-TR35
	490 + 100	+ 50 mm	I429278-TR26	I429278-TR35
	490 + 100	+ 100 mm	-	-
Shoulder High	390 + 50	NONE	I444275-TR26	-
	390 + 50	+ 50 mm	I444276-TR26	-
	390 + 50	+ 100 mm	I444276-TR26	-
	390 + 100	NONE	I444275-TR26	-
	390 + 100	+ 50 mm	I444276-TR26	-
	390 + 100	+ 100 mm	I444276-TR26	-
	440 + 50	NONE	I444276-TR26	-
	440 + 50	+ 50 mm	I444277-TR26	-
	440 + 50	+ 100 mm	I444277-TR26	-
	440 + 100	NONE	I444276-TR26	-
	440 + 100	+ 50 mm	I444277-TR26	-
	440 + 100	+ 100 mm	I444277-TR26	-
	490 + 50	NONE	I444277-TR26	-
	490 + 50	+ 50 mm	I444278-TR26	-
	490 + 50	+ 100 mm	-	-
	490 + 100	NONE	I444277-TR26	-
	490 + 100	+ 50 mm	I444278-TR26	-
	490 + 100	+ 100 mm	-	-



Passad 2



Shoulder high

* Available from mid April 2012



Rea™ **Azalea® – Individual Parts**

Backrest cushions seat width + 50 mm and + 100 mm				
Description	Azalea®		Art.no.	
	Seat width in mm	Backrest width adj.	Black Dartex	Black Plush *
Cover Lateral	340 + 50	NONE	1543667	1543668
	340 + 50	+ 50 mm	-	-
	340 + 50	+ 100 mm	-	-
	340 + 100	NONE	1543667	1543668
	340 + 100	+ 50 mm	-	-
	340 + 100	+ 100 mm	-	-
	390 + 50	NONE	1543667	1543668
	390 + 50	+ 50 mm	1543667	1543668
	390 + 50	+ 100 mm	-	-
	390 + 100	NONE	1543667	1543668
	390 + 100	+ 50 mm	1543667	1543668
	390 + 100	+ 100 mm	-	-
	440 + 50	NONE	1543669	1543670
	440 + 50	+ 50 mm	1543669	1543670
	440 + 50	+ 100 mm	1543669	1543670
	440 + 100	NONE	1543669	1543670
	440 + 100	+ 50 mm	1543669	1543670
	440 + 100	+ 100 mm	1543669	1543670
	490 + 50	NONE	1543671	1543672
	490 + 50	+ 50 mm	1543671	1543672
490 + 50	+ 100 mm	-	-	
490 + 100	NONE	1543671	1543672	
490 + 100	+ 50 mm	1543671	1543672	
490 + 100	+ 100 mm	-	-	

* Available from mid April 2012

Backrest cushions seat width + 50 mm and + 100 mm			
Description	Azalea® Max	Art.no.	
	Seat width in mm	Black Dartex	Black Plush *
Cover Lateral	550	1543675	1543676
	550 + 50	1543675	1543676
	550 + 100	1543675	1543676
	610	1543677	1543678
	610 + 50	1543677	1543678
	610 + 100	1543677	1543678

* Available from mid April 2012



Backrest cover Lateral



Rea™ Azalea® – Individual Parts

Backrest bar / Push handles Azalea® Max (measurements in mm)		
Description	Art.no.	
	Azalea® Max	
	550	610
Push handles braced	1524533	1524529
High Push bar	1523947	1523946



Pushhandle, Left



Push handles braced Azalea Max



High Push bar Azalea Max



Pushhandle, Right

Seat and Backrest tilt						
Description	Azalea®		Azalea® Max		Azalea® Base	
	22" / 24"	16" / 22" / 24" DB	22" / 24"	16" / 22" / 24" DB	22" / 24"	16" / 22" / 24" DB
Assistant operated seat- and backrest tilt	1559685	1559684	1536335	1536336	1536843	1536839
Electrical operated seat and backrest tilt	1484820	1483996 *	1524790		-	

* Only for 16"

Backrest tilt	
Description	Azalea® Base
	22" / 24"
Assistant operated backrest tilt	1539661
Backrest regulation with rigging screw	1508771



Rea™ **Azalea®** – Individual Parts

Legrest attachment						
Description	Art.no.					
Seat width in mm	340	390	440	490	550	610
Legrest attachment width adjustable	1508926-0509	1449888-0509	1449889-0509	1449890-0509	-	-
Legrest attachment width adjustable Azalea® Tall	-	1507966-0509	1507967-0509	1507968-0509	-	-
Legrest attachment width adjustable Azalea® Max	-	-	-	-	1523725 *	1523745 *

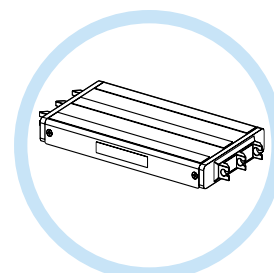
* Included in the chassie module

Legrests/hangers		
Description	Art.no.	
	Left	Right
Hanger angle adjustable - alu 2008 Azalea® Max	1528870	1528871



Hanger angle adjustable - alu 2008
Azalea Max

Footboard converter, cpl		
Description	Azalea® Max	
	Seat width in mm	Art.no.
Footboard converter, cpl Azalea® Max	550	1524731
	550 + 50	1524732
	550 + 100	1524733
	610	1524732
	610 + 50	1524733
	610 + 100	1524734



Footboard converter, cpl

Footrests			
Description	Azalea® Max		
	Seat width in mm	Short tube	Long tube
Footrest incl. footboard converter, cpl Azalea® Max	550	1524977	1524721
	550 + 50	1524978	1524722
	550 + 100	1524979	1524723
	610	1524978	1524722
	610 + 50	1524979	1524723
	610 + 100	1527980	1524724



Footrest incl footboard converter, cpl



Rea™ **Azalea®** – Individual Parts

Armrest attachment

Description	Art.no.	
	Azalea® Max	
Armrest attachment	1525035	

Armrests pads including poles

Description	Art.no.	
	Left	Right
Wide pad, reinforced (Max)	1525067	1525066

Armrest, height adjustable and reinforced, cpl

Description	Art.no.	
	Azalea® Max	
	Left	Right
Height adj and reinforced, wide pad, cpl	1525069	1525068



Armrest Azalea Max

Incontinence seat cover seat width + 50 mm and + 100 mm

Description	Seat width in mm	Art.no.
Minor	340	1510636
Small	390	5253078-TR26
Medium	390 + 50	5253079-TR26
	440	
Large	390 + 100	5253080-TR26
	440 + 50	
	490	
X-Large	440 + 100	5253617-TR26
	490 + 50	
	490 + 100	
Azalea® Max	550	1526617
	610	1526616

Backrest options

Description	Art.no.	
	Left	Right
Trunksupport with arm extended in height	1552728	1552729
Cane holder	5295015	
Privacy attachment	1543730	



Privacy attachment Azalea

Chassis extender

Description	Art.no.
Chassis extender	1484535 *

* Not for **Azalea® Minor**



Chassis extender



Rea™ **Azalea® – Individual Parts**

Safety		
Description	Art.no.	
	Left	Right
Standard brake	1486411	1486410
User manoeuvred brake Azalea® Max	1524719	1524720
Tyre brake for Azalea Minor (22"+24" wheels)	1513040	
Brake kit DB cpl, pair (Azalea Max + Azalea Tall 22"+24")	1536758	1536759
Brake kit DB cpl, pair (Azalea + Azalea Base 22"+24")	1536544	1536545
Brake attachment	1491317	
Anti tip device	1439933	
Reflectors kit (wheel and chassi)	5104965	
Reflectors kit Azalea Transport	5254249	
X-Harness cpl (Minor)	1512914	
Pelvic belt Azalea® Max	1551067	



X-Harness

Table tray fixed				
Description	Art.no.			
	Seat width in mm	Armrest wide pad	Armrest std pad	Armrest padded
Table tray fixed small	390	-	5206737	-
Table tray fixed medium	390	5206726	-	-
	390 + 50	-	5206726	-
	440	-	5206726	-
Table tray fixed large	390 + 100	-	5206725	-
	440	5206725	-	-
	440 + 50	-	5206725	-
	440	5206725	-	-
	440 + 50	-	5206725	-
	490	-	5206725	-
Table tray fixed X-large	390 + 100	5207643	-	-
	440 + 50	5207643	-	-
	440 + 100	5207643	5207643	-
	490	5207643	-	-
	490 + 50	5207643	5207643	-
	490 + 100	-	5207643	-
Table tray fixed Azalea® Max	550 - 710	1528869	-	-

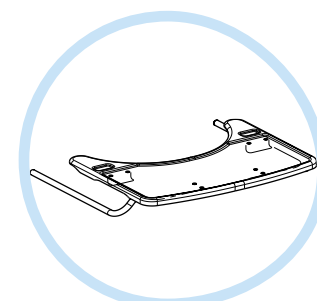


Table tray fixed Azalea Max

Table tray swing-away		
Description	Art.no.	
	Seat width in mm	Art.no.
Table tray swing-away (small)	340	1509919
	340 + 50	
Table tray swing-away (large)	340 + 100	1449217
	390 - 590	



Rea™ Azalea® – Individual Parts

Table tray swing-away		
Description	Art.no	
	Seat width in mm	Art.no
Table tray swing-away (small)	340	1509919
	340 + 50	
Table tray swing-away (large)	340 + 100	1449217
	390 - 590	

Tilt lock (locking of pre-set angle)	
Description	Art.no
Tilt lock	1527435

Harness attachment				
	Azalea® Base		Azalea®	
	Seat width	Art.no	Seat width	Art.no
Harness attachment for Azalea Base / Azalea	340	1542445-0509	340	1559963
	390	1539655-0509	390	
	440	1539662-0509	440	
	490	1542446-0509	490	

Rea[™] **Bellis**[™] – *Individual Parts*

Smart solutions create unique possibilities!

Rea[™] **Bellis**[™] offers many smart solutions to provide a high level of comfort, easy multiple adjustable features and superb driving characteristics. *Rea*[™] **Bellis**[™] unique design is focused on your well being.



Rea™ Bellis™ – Individual Parts

Individual Accessories to Rea™ Bellis™

Seat cushion

Description	Art.no			
	Bellis®		Bellis 150®	
	22" / 24"	16" / 22" / 24" DB	22" / 24"	22" / 24" DB
Assistant operated seat- and backrest tilt	1536429	1536430	1536431	1536432
Electrical operated seat and backrest tilt	1448691			

Seat cushion

Description	Seat width in mm	Art. no
Inlay cushion	410	5255323-TR26
	460	5255324-TR26
	510	5255325-TR26

Legrests/ hangers

Description	Seat width	Art. no
Legrest attachment	All widths	1429269-0509

Armrest attachment

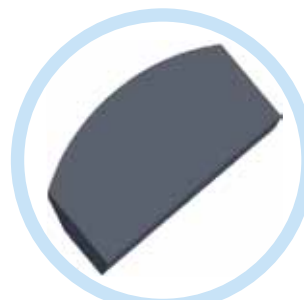
Description	Art.no	
	Left	Right
Flip up - rear part	5255466-0515	5255465-0515

Armrests lower part

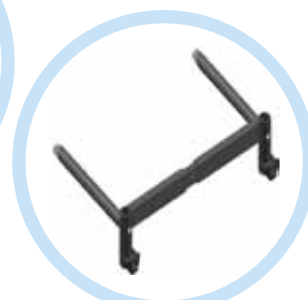
Description	Art.no	
	Left	Right
Height adjustable flip up	1439751	1439750

Armrests pads including pole

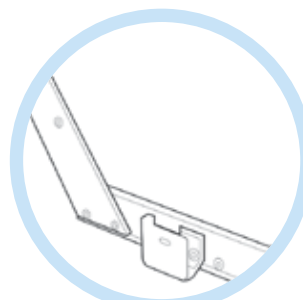
Description	Art.no	
	Left	Right
Long Narrow Nice	1439747	1439746
Long Wide Nice	1439749	1439748



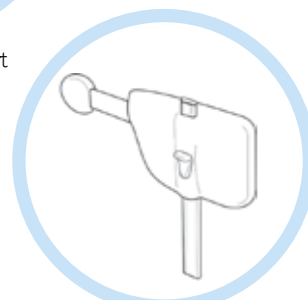
Inlay cushion



Legrest attachment



Flip up - rear part



Height adjustable flip up



Long Wide Nice



Long Narrow Nice

Rea™ Bellis™ – Individual Parts

16" Transit wheels Bellis

Description	Art.no.
16" solid DB wheels, pair	1536424
16" pneumatic DB wheels, pair	1536423

Castor attachment type

Description	Art.no	
	Left	Right
Castor attachment quick release	5254254	5254253



Castor attachment fixed



Castor attachment quick release

Safety

Description	Art.no	
	Left	Right
Standard brakes	5255117	5255124
Brake kit 22-24" drumbrake	1536403	1536422
User manouvered tyre brake	1446121	1446122
One arm brake	5255418	5255426
Reflectors kit (wheel and chassi)	5206640	



Standard brakes

Accessories

Description	Art.no
Cane holder	5295015



Cane holder

Rea™ **Clematis®** – Individual Parts

An Improved Seat for Improved Comfort

The foundation of good posture lies in good seating. Maintaining the correct position securely and in comfort is a priority for anyone who spends long periods of time in a wheelchair or cannot move. Targeted support is now available in the new Rea™ **Clematis®** in the form of this new, ergonomically-designed support seat, so you can maintain good posture and enjoy peace of mind.



Rea™ Clematis® – Individual Parts

Individual Accessories to Rea™ Clematis®

Backrest Laguna 2

Description	Art.no
Backrest Laguna 2 390 cpl	1518681
Backrest Laguna 2 440 cpl	1518682
Backrest Laguna 2 490 cpl	1518683



Pushhandles, Right



Pushhandles, Left

Pushhandles

Description	Art.no	
	Left	Right
Pushhandles for backrest Laguna 2 390-490 mm cpl	1518504	1518503

Trunk support for backrest Laguna 2

Description	Art.no	
	Left	Right
Trunk support "Swing-away"	1552655	1552656
Trunk support "Fixed"	1552651	1552652



Trunk support, swing-away



Trunk support, fixed

Legrests / hangers

Legrest attachment fixed (part of frame)

Armrests pads including pole

Description	Art.no	
	Left	Right
Long Narrow padded	1420019	1420018



Armrest

Safety

Description	Art.no	
	Left	Right
Standard Brakes	1439932	1439923
Brake attachment (Rail brake exkl.scews)	1431607	
Anti tip device	1439933	
Reflectors kit (wheel and chassi)	5206655	
Reflectors kit including attachm.	1415574	

Rea™ **Focus™** – *Individual Parts*

Versatility & Comfort

The *Rea™ Focus™* has rigid seat base providing excellent 'upRight' postural support, combined with a broad range of body supports. The semi-rigid chassis has a folded brace construction facilitating smooth, effortless motion with negligible wheeling resistance. With state-of-the-art technology and a modular design highly compatible with other *Rea™* models, the **Focus™** is very easy to maintain.



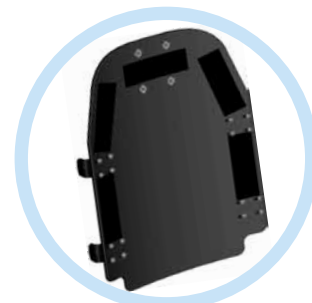
Rea™ Focus™ – Individual Parts

Individual Accessories to Rea™ Focus™

Reclined backrest and cushion

Description	Art.no		
	Seat width in mm	Black Dartex *	Black Plush *
Reclined backrest with backrest plate, cushion Laguna 2 and fixed push handles	380 - 405	1508812-TR26	1508812-TR35
	430 - 455	1508813-TR26	1508813-TR35
	480 - 505	1508814-TR26	1508814-TR35
Reclined backrest with backrest plate, cushion Passad 2 and fixed push handles	380 - 405	1518694-TR26	1518694-TR35
	430 - 455	1518695-TR26	1518695-TR35
	480 - 505	1518696-TR26	1518696-TR35
Reclined backrest, gas spring, with backrest plate, cushion Laguna 2 and fixed push handles	380 - 405	1530010-TR26	1530010-TR35
	430 - 455	1530011-TR26	1530011-TR35
	480 - 505	1530012-TR26	1530012-TR35
Reclined backrest, gas spring, with backrest plate, cushion Passad 2 and fixed push handles	380 - 405	1530242-TR26	1530242-TR35
	430 - 455	1530243-TR26	1530243-TR35
	480 - 505	1530265-TR26	1530265-TR35

* From 1:st of May 2012



Backrest plate Laguna 2



Backrest reclined with gas spring

Backrest cushion Mistral 2

Description	Art.no.		
	Seat width in mm	Black Dartex *	Black Plush *
Adjustable backrest with Mistral 2 backrest cushion	380	1435761-TR26	1435761-TR35
	405	1478566-TR26	1478566-TR35
	430	1435762-TR26	1435762-TR35
	455	1478567-TR26	1478567-TR35
	480	1435763-TR26	1435763-TR35
	505	1478568-TR26	1478568-TR35
	530 **	1435764-TR26	1435764-TR35

** Focus 150

* From 1:st of May 2012

Backrest upholstery cpl

Description	Art.no.		
	Seat width in mm	Jemima	Black Plush *
Anlge Adjustable and Biangular	380	1542540-TR18	1542540-TR35
	405	1542541-TR18	1542541-TR35
	430	1542542-TR18	1542542-TR35
	455	1542543-TR18	1542543-TR35
	480	1542544-TR18	1542544-TR35
	505	1542545-TR18	1542545-TR35
530	1542552-TR18	1542552-TR35	

* From 1:st of May 2012



Angle adjustable



Velcro Biangular

Rea™ Focus™ – Individual Parts

Seatcushions

Description	Art.no.			
	Seat depth in mm	Seat width in mm	Black Dartex *	Black Plush *
Mistral 2 seat cushion	375 - 425	380	I435853-TR26	I435853-TR35
Mistral 2 seat cushion	375 - 425	405 - 430	I435854-TR26	I435854-TR35
Mistral 2 seat cushion	375 - 425	455 - 480	I435855-TR26	I435855-TR35
Mistral 2 seat cushion	375 - 425	505	I435859-TR26	I435859-TR35
Mistral 2 seat cushion	450 - 500	380	I435856-TR26	I435856-TR35
Mistral 2 seat cushion	450 - 500	405 - 430	I435857-TR26	I435857-TR35
Mistral 2 seat cushion	450 - 500	455 - 480	I435858-TR26	I435858-TR35
Mistral 2 seat cushion	450 - 500	505	I435859-TR26	I435859-TR35

* From 1st of May 2012

Seating options

Description	Seatwidth in mm	Art.no.
Inlay cushion for seat plate	380	I434768
	430	I434769
	480	I434770
	530	I434771



Inlay cushion

Armrest attachment

Description	Art.no.	
	Left	Right
Flip up	I431723	



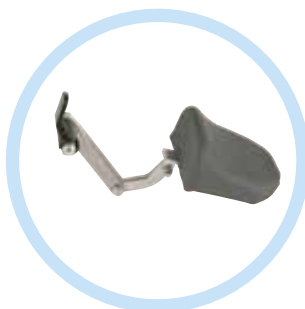
Flip up

Trunk support

Description	Art.no.	
	Left	Right
Trunk support, small *	I508955	
Trunk support Swing away **	I552734	I552735

* For reclined backrest without gas spring

** For reclined backrest with gas spring



Trunk support, swing away



Trunk support, small

Rea™ Focus™ – Individual Parts

Castor attachment

Description	Art.no	
	Left	Right
Castor attachment low, fixed	1434733	
Castor attachment high, height adjustable	1434754	



Attachment low, fixed



Attachment high, fixed

Rearwheel attachment

Description	Art.no
Camber kit	1435807



Camber kit

Safety

Description	Art.no.	
	Left	Right
One arm brake	1449900	1449899
Brake kit 22" + 24" DB	1536437	1536438
Brake kit 22" + 24" DB (narrow)	1539473	1539474
Parking leg (step tube)	5103276	
Anti tip device	1435470	
Anti tip device swing-away *	1508975	1508974
Brake attachment	5240241	5240240
Reflectors kit (wheel and chassi)	5104965	

* not in combination with drum brakes
not in combination with Focus 150 kg



Anti tip device

Accessories

Description	Art.no.
Cane holder	1435754



Cane holder

Rea™ Spirea²® – Individual Parts

Light-handling & high durability

Rea™ Spirea²® is an exciting and durable, lightweight folding wheelchair perfect for everyday use. Designed from the ground up using client input & feedback, the *Rea™ Spirea²®* is light handling, minimal adjustment requirements, high technical quality and low maintenance make it the choice for users, carers and engineers alike.



Rea™ Spirea²® – Individual Parts

Backrest type

Seat width in mm	Art.no		
	Sling Jemima	Velcro adjustable Jemima *	Black Plush *
380	5104583-TR18	1542553-TR18	1542553-TR35
405	5104584-TR18	1542554-TR18	1542554-TR35
430	5104385-TR18	1542555-TR18	1542555-TR35
455	5104386-TR18	1542556-TR18	1542556-TR35
480	1495854	1542557-TR18	1542557-TR35
505	5104387-TR18	1542558-TR18	1542558-TR35

* New art.no's from 1:st of May 2012



Sling Jemima



Velcro adjustable

Seat type

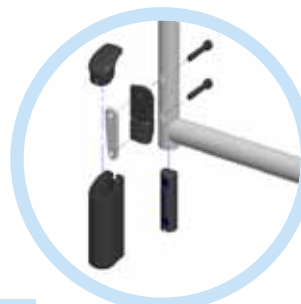
Seat width in mm	Art.no			
	Depth adjustable		Velcro adjustable	
	Seat depth 400	Seat depth 450	Seat depth 400	Seat depth 450
380	5106337	5106338	5106448	5106454
405	5104005	5106217	5106449	5106455
430	5106339	5106340	5106450	5106456
455	5104006	5106218	5106451	5106457
480	1491249	1491250	1485551	1485552
505	1431755	1434717	5106452	5106458



Depth adjustable seat

Armrest attachment

Description	Art.no
Flip up	1435492



Castor att. fixed

Castor attachment

Description	Art.no
Castor attachment fixed	1521752



Velcro adjustable

Safety

Description	Art.no	
	Left	Right
One arm brake	1492107	1492000
Brake kit 22" + 24" DB	1536462	1536463
Reflectors kit (wheel and chassi)	5104965	
Reflectors kit transport version	1435760	
Brake attachment	1492299	

Accessories

Description	Art.no
Cane holder	5104964



Cane holder

16" Transit wheels Spirea 2T

Description	Art.no.
16" solid DB wheels, pair	1537618
16" pneumatic DB wheels, pair	1537615

Rea[™] **Spirea³**[®] – **Individual Parts**

Rea[™] **Spirea³**[®] for transport and frequent use

Rea[™] **Spirea³**[®] is a lightweight-folding wheelchair for every day's use. **Spirea³**[®] features the basic adjustments for the user with upper balance. **Spirea³**[®] is designed for light handling in all concerns from the demand of the user and assistant to the prescriber and engineer. From requests from our customers we have made **Spirea³**[®] easy for refurbishment by high technical quality, low service requirements and a few but necessary and easily operated adjustment options.



Rea™ Spirea³® – Individual Parts

Backrest type

Seat width in mm	Art.no.	
	Velcro adjustable	
	Jemima *	Black Plush *
380	1542540-TR18	1542540-TR35
405	1542541-TR18	1542541-TR35
430	1542542-TR18	1542542-TR35
455	1542543-TR18	1542543-TR35
480	1542544-TR18	1542544-TR35
505	1542545-TR18	1542545-TR35

* New art.no's from 1:st of May 2012



Velcro adjustable

Seat type

Seat width in mm	Art.no.			
	Depth adjustable		Velcro adjustable	
	Seat depth 40	Seat depth 45	Seat depth 40	Seat depth 45
380	5106337	5106338	5106448	5106454
405	5104005	5106217	5106449	5106455
430	5106339	5106340	5106450	5106456
455	5104006	5106218	5106451	5106457
480	1491249	1491250	1485551	1485552
505	1431755	1434717	5106452	5106458



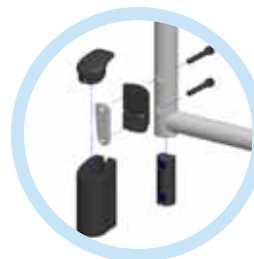
Depth adjustable seat

Armrest attachment

Description	Art.no.
Flip up	1435492

Castor attachment

Description	Art.no.
Castor attachment fixed	1521752



Attachment fixed

Brake kit 22" + 24" DB, seat angle 0°

Description	Art.no.			
	Active rear wheel plate		Passive rear wheel plate	
	Left	Right	Left	Right
Brake kit 22" + 24" DB	1536375	1536376	1536462	1536463

Rea™ Spirea³® – Individual Parts

Brake kit 22" + 24" DB, seat angle 3°

Description	Art.no.	
	pneumatic	solid
Brake kit 22" + 24" DB	1536766	1536767

One arm brake

Description	Art.no.	
	Pneumatic	Solid
Seatwidth in mm		
380	1513044	1513045
405	1513044	1513045
430	1513046	1513095
455	1513046	1513095
480	1513046	1513095
505	1513046	1513095

Accessories

Description	Art.no.
Cane holder	5104964

Safety

Description	Art.no.
Reflectors kit (wheel and chassis)	5104965
Brake attachment	1492299
Anti-tip device swing-away	1513004



Cane holder

Rea™ **Spirea⁴_{NG}** – Individual Parts

Rediscover freedom of mobility

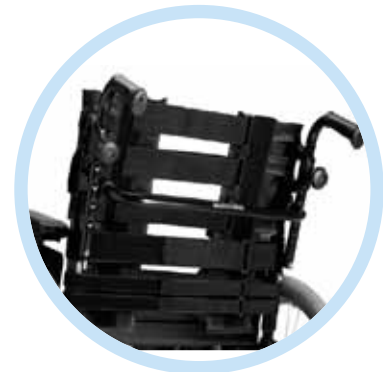
Rea™ **Spirea⁴_{NG}** is a dynamic and durable lightweight folding wheelchair ideal for everyday use. By incorporating client input and user feedback into the design, the **Spirea⁴_{NG}** offers light handling, minimal adjustment requirements, high technical quality and low maintenance, making it a perfect choice for users, carers and engineers alike.



Rea™ Spirea⁴ NG™ – Individual Parts

Propulsion type	
Description	Art.no.
	Velcro adjustable
	Jemima
Standard wheel hub	1533910
Assistant manouvered drumbrakes	1535066
16" Wheels pneumatic profiled	1537615
16" Wheels solid	1537618

Backrest base, fixed & angle adjustable backrest		
Description	Art.no	
	Fixed	Angle adjustable
Backrest base	1534662	1542564



Backrest base

Backrest tube (2pcs / backrest)	
Description	Art.no
Backrest tube, fixed backrest	1434742
Backrest tube, adj backrest 350 - 480	1523773
Backrest tube, adj backrest 480 - 550	1533991

Backrest upholstery		
Description	Art.no	
	Adjustable velcro	Sling upholstery
Seatwidth in mm		
355	-	1495839
380	1542553-TR18	1495840
405	1542554-TR18	1495841
430	1542555-TR18	1495842
455	1542556-TR18	1495843
48	1542557-TR18	1495844
505	1542558-TR18	1495845

Backrest extender for adjustable backrest 420-550 mm with cover							
Description	Seatwidth in mm						
	355	380	405	430	455	480	505
Backrest extender for adjustable backrest 420-550 mm with cover	-	1508658			1512729		

Rea™ Spirea⁴ NG™ – Individual Parts

Seat type								
Description	Seatdepth in mm	Seatwidth in mm						
		355	380	405	430	455	480	505
Sling seat, depth adjustable	380-400	1534848	1534850	1534851	1534852	1534863	1534870	1534940
	400-450	1534849	1437580	1437581	1437582	1437583	1437584	1437585
	450-500	-	-	-	-	1534869	1534939	1534941
Velcro tension adjustable in depth and shape	380-400	-	1533431	1533432	1533433	1533434	1533435	1533436
	400-450	-	1533438	1533439	1533440	1533441	1533442	1533443
	450-500	-	-	-	-	1533448	1533449	1533450

Complete Amputee legrests							
Description	Seatwidth in mm						
	355	380	405	430	455	480	505
Legrest amputee, LH	-	1429192-0509			1429211-0509		
Legrest amputee, RH	-	1429191-0509			1429212-0509		



Fixed footplate



Legrest amputee

Fixed footrest							
Description	Seatwidth in mm						
	355	380	405	430	455	480	505
Footrest lower part, fixed footplate, short tube, LH	-	1530620		1530622		1530623	
Footrest lower part, fixed footplate, long tube, LH	-	1530633		1530634		1530635	
Footrest lower part, fixed footplate, short tube, RH	-	1530614		1530616		1530617	
Footrest lower part, fixed footplate, long tube, RH	-	1530630		1530631		1530632	

Rea™ Spirea⁴ NG™ – Individual Parts

Armrest type

Armrest type	Art.no	
	Left	Right
Armrest Comfort, height adjustable, short pad	1536814	1536815
Armrest Comfort, height adjustable, long pad	1536816	1536817



Armrest Comfort, short pad

Castors

Description	Art.no		
	Solid, medium hard	Solid	Pneumatic profiled
Castors 120 mm	-	1450173	-
Castors 140 mm	1515254	-	-
Castors 150 mm	1450622	1450174	1450175
Castors 200 mm (8" x 1.1/4")	-	1431352	1431351
Castors 200 mm (8" x 2")	-	1431759	1431353



Castor with fork

Castor forks

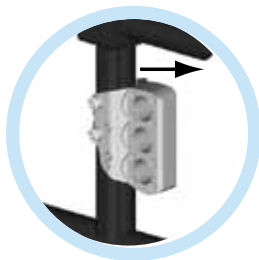
Armrest type	Art.no
Castor attachment, fork L36 (5 inch), pair	1534977
Castor attachment, fork L60 (5,5 inch), pair	1534978
Castor attachment, fork L36 (6 inch & 8 inch), pair	1535043
Castor attachment, fork L60 (6 inch & 8 inch), pair	1535044

Rearwheel attachment

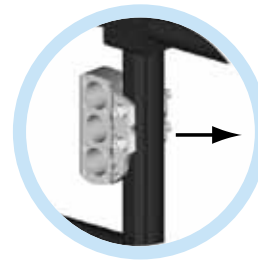
Description	Art.no	
	Std wheel hub	DB
Active rear wheel position	1534828	
Standard rear wheel position	1535065	
Passive rear wheel position	1534828	
Dual amputee rear wheel position	1534828	



Rearwheel attachment
Active



Standard rearwheel position



Passive rear wheel position

Rear wheel attachment, one arm drive

Description	Art.no	
	Solid	Pneumatic profiled
Rear wheel attachment, one arm drive	1535065	1534828

Rea™ Spirea⁴ NG™ – Individual Parts

One arm drive

Description	Art.no.			
	Tyre type			
	Pneumatic profiled		Solid	
Seatwidth in mm	380 - 430	455 - 505	380 - 430	455 - 505
Dual handrim + Active rear wheel position or Dual amputee rear wheel position	1513269	1513270	1513271	1513272
Dual handrim + Standard rear wheel position or Passive rear wheel position				

Rear wheel attachment, 16" wheels

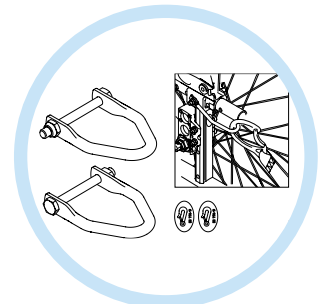
Description	Art.no	
	Left	Right
Rear wheel attachment, 16" wheels	1440040	1435464

Transportation kit

Description	Art.no
Transportation kit Spirea4 NG	1534090

Safety

Description	Art.no	
	Left	Right
One arm brake	1430203	1430202



Transportation kit

Brake kit Spirea 4NG

Description	Art.no	
	Left	Right
Brake kit 22" + 24" DB	1536733	1536734
Brake user manouvered 16"	1533834	1533908

Anti-tip device

Description	Art.no
Anti-tip device, traditional	1484890 *
Anti-tip device, swing away	1535046 *

* In addition 2 pcs of art.no: 5716276

Pelvic belt

Description	Art.no
Pelvic belt	1543660

Fitting kit table, Spirea 4

Armrest type	Art.no
Height adjustable Rio, long	1446177
Height adjustable Comfort, long	1446201



Anti-tip device, traditional

Anti-tip device, swing away

Invacare® **Spin^x** – Individual Parts

Are you sitting comfortably?

The *Invacare*® **Spin^x** is designed to fit the user living an active social life and in need of body support and mobility. With an inbuilt postural frame and fully adjustable seat, every user gets individual fitting that supports them in their daily activities. Made with lightweight materials it has a dual folding mechanism making it suitable for storage and transportation.



Individual Accessories to Invacare® Spin™

Backrest type

Description	Art.no
	Jemima
Backrest upholstery sling 380 fixed (380)	1495840
Backrest upholstery sling 410 fixed (405)	1495841
Backrest upholstery sling 430 fixed (430)	1495842
Backrest upholstery sling 460 fixed (455)	1495843
Backrest upholstery sling 480 fixed (480)	1495844
Backrest upholstery sling 500 fixed (505)	1495845
Backrest cover 380 tension adj. (380)	1540578-TRI8
Backrest cover 410 tension adj. (405)	1540579-TRI8
Backrest cover 430 tension adj. (430)	1540580-TRI8
Backrest cover 460 tension adj. (465)	1540581-TRI8
Backrest cover 480 tension adj. (480)	1540582-TRI8
Backrest cover 500 tension adj. (505)	1540583-TRI8



Backrest upholstery sling fixed

Backrest options/pushhandles

Description	Art.no.	
	Backrest height 360 - 400	Backrest height 410 - 490
Pushhandles fixed (foldable backrest)	1488860	1489044
Pushhandles fixed	1491207	



Backrest cover

Fixed legrests coloured as the chassie

Description	Art.no.
Hangers 80° Pearl Grey	1493055-0515
Hangers 80° Shining Blue	1493055-0507
Hangers 80° Anthracite Black	1493055-0514
Hangers 80° Red	1493055-0501
Hangers 80° Lime Green (Special)	1493055-0517
Hangers 80° Orange (Special)	1493055-0518
Hangers 90° Pearl Grey	1493056-0515
Hangers 90° Shining Blue	1493056-0507
Hangers 90° Anthracite Black	1493056-0514
Hangers 90° Red	1493056-0501
Hangers 90° Lime Green (Special)	1493056-0517
Hangers 90° Orange (Special)	1493056-0518



Fixed legrest



Sideguard

Armrest to the different wheelchair models

Description	Art.no.	
	Left	Right
Mudguard high	1486543	1486542
Mudguard low	1484737	1484564
Sideguard	1491238	1491237



Mudguard

Armrest attachment

Description	Art.no.	
	Left	Right
Flip up - rear part	1485272	1485246

Rear wheel attachment

Description	Art.no.
Camber kit	1483923

Rearwheels 24"

Description	Art.no.
24" Sporty Low profile (24x1")	1483924

Rearwheels 24" with handrims

Description	Handrims					
	Stainless		Foam coated		Black Grip	
Tyres	24" Std	24" DB	24" Std	24" DB	24" Std	24" DB
Low Profile	1531063 *	-	1531533 *	-	1531566 *	-
Pneumatic non marking	1530763 *	1531064 *	1531462 *	1531534 *	1531538 *	1531567 *
Pneumatic profiled	1530764 *	1531080 *	1531508 *	1531535 *	1531563 *	1531568 *
Solid	1530762 *	1531127 *	1531531 *	1531536 *	1531564 *	1531569 *
Puncture proof	1531129 *	1531128 *	1531532 *	1531537 *	1531565 *	1531570 *

Rearwheels 25"

Description	Art.no.
Pneumatic non marking aluminium handrim (special)	1508583

Castor attachment type

Description	Art.no.	
	Left	Right
Castor attachment fixed	1488858	1488857

Saftey

Description	Art.no.	
	Left	Right
Standard brake	1415485	1415486
Brake kit 22" - 24" DB	1536465	1536466
Brake attachment	1492299	
One arm brake	1492107	1492000
Anti tip device (low 41 - 45,5)	1483885	1483884
Anti tip device (high 48 - 53)	1483999	1483998
Reflectors kit (wheel and chassi)	5104965	
Extended brake arm / pin (pair nr)	1486429	



Anti-tip device, Spin-X

Accessories

Description	Art.no.
Cane holder	5106390

Invacare® XLT™ – Individual Parts

Top configurability made Simple!

The new generation *Invacare® XLT* is an active, rigid wheelchair enabling support in day to day life. Designed to be perfectly adjusted to fit the body the *Invacare® XLT* offers many features in terms of support, rigidity and quality of construction. With a frame made entirely from Titanium the *Invacare® XLT* is a light chair helping users to retain mobility as well as gain independence.



Invacare® XLT.



Invacare® XLT. Swing



Invacare® XLT. Max

Backrest type Velcro, tension adjustable, fixed height

Description	Art.no.							
	Seatwidth in mm							
Fixed backrest height in mm	330 *	355	380	405	430	455	480	505 *
Fixed backrest height 200	1518650	1508716	1508720	1508724	1508728	1508732	1508736	1508740
Fixed backrest height 250	1518651	1508717	1508721	1508725	1508729	1508733	1508737	1508741
Fixed backrest height 300	1518652	1508718	1508722	1508726	1508730	1508734	1508738	1508742
Fixed backrest height 350	1518653	1508719	1508723	1508727	1508731	1508735	1508739	1508743

* XLT Swing

Backrest Velcro tension adj, fixed height, infinitely var. angle adj, foldable and click in backrest (straight backr tubes)

Description	Art.no.							
	Seatwidth in mm							
Fixed backrest height in mm	330 *	355	380	405	430	455	480	505 *
Fixed backrest height 200	1551177	1551181	1551185	1551237	1551273	1551356	1551398	1551466
Fixed backrest height 250	1551178	1551182	1551186	1551238	1551274	1551357	1551399	1551467
Fixed backrest height 300	1551179	1551183	1551235	1551239	1551275	1551358	1551464	1551468
Fixed backrest height 350	1551180	1551184	1551236	1551272	1551276	1551359	1551465	1551469

* XLT Swing

Backrest upholstery, fixed backrest

Description	Art.no.							
	Seatwidth in mm							
Adjustable backrest height in mm	330 *	355	380	405	430	455	480	505 *
Fixed backrest height 200	1518668	1512549	1512593	1512606	1512630	1512633	1512654	1512657
Fixed backrest height 250								
Fixed backrest height 300	1518669	1512562	1512604	1512628	1512631	1512634	1512655	1512658
Fixed backrest height 350								

* XLT Swing

Backrest type Velcro, tension adjustable, adjustable height

Description	Art.no.							
	Seatwidth in mm							
Adjustable backrest height in mm	330 *	355	380	405	430	455	480	505 *
Adj backrest height 300 - 320	1518654	1508716	1508720	1508724	1508728	1508732	1508736	1508740
Adj backrest height 350 - 390	1518655	1508717	1508721	1508725	1508729	1508733	1508737	1508741
Adj backrest height 400 - 440	1518656	1508718	1508722	1508726	1508730	1508734	1508738	1508742
Adj backrest height 450 - 490	1518657	1508719	1508723	1508727	1508731	1508735	1508739	1508743

* XLT Swing

Backrest Velcro tension adj, height adj, infinitely var. angle adj, foldable and click in backrest (straight backrest tubes)

Description	Art.no.							
	Seatwidth in mm							
Adjustable backrest height in mm	330 *	355	380	405	430	455	480	505 *
Adj backrest height 300 - 320	1551470	1551569	1551573	1551577	1551581	1551585	1551589	1551593
Adj backrest height 350 - 390	1551566	1551570	1551574	1551578	1551582	1551586	1551590	1551594
Adj backrest height 400 - 440	1551567	1551571	1551575	1551579	1551583	1551587	1551591	1551595
Adj backrest height 450 - 490	1551568	1551572	1551576	1551580	1551584	1551588	1551592	1551596

* XLT Swing

Backrest upholstery, adjustable backrest								
Description	Art.no.							
	Seatwidth in mm							
Adjustable backrest height in mm	330 *	355	380	405	430	455	480	505 *
Adj backrest height 300 - 390	1518669	1512562	1512604	1512628	1512631	1512634	1512655	1512658
Adj backrest height 400 - 490	1518670	1512563	1512605	1512629	1512632	1512653	1512656	1512659

* XLT Swing

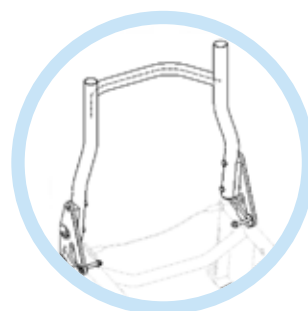
Narrow back *								
Description	Art.no.							
	Seatwidth in mm							
Narrow back, velcro tension adj, fixed height, infinitely variable AA, foldable & click in backrest	355	380	405	430	455	480	505**	
Fixed backrest height 350 mm	1516333	1516334	1516335	1516336	1516337	1516338	1516339	

* Not for XLT Max ** XLT Swing

Backrest upholstery, narrow back								
Description	Art.no.							
	Seatwidth in mm							
Upholstery narrow back	355	380	405	430	455	480	505*	
Fixed backrest height 350 mm	1517360	1517361	1517362	1517363	1517364	1517365	1517366	

* XLT Swing

Backrest type Velcro tension adjustable, adjustable height, XLT Max			
Description	Art.no.		
	Seatwidth in mm		
	505	555	605
Adjustable backrest height 400 - 440 mm	1528585	1528645	1528687
Adjustable backrest height 450 - 490 mm	1528642	1528684	1528688



Narrow back

Backrest upholstery adjustable backrest, XLT Max			
Description	Art.no.		
	Seatwidth in mm		
	505	555	605
Adjustable backrest height 400 - 440 cm	1535490	1535491	1535492
Adjustable backrest height 450 - 490 cm	1535490	1535491	1535492



Adjustable backrest XLT Max

Pushhandles including neckrest or headrest

Description	Art.no.							
	330 *	355	380	405	430	455	480	505 *
Height adjustable pushhandles external long grip incl neckrest	1530506	1530510	1512788	1512789	1512790	1512791	1512792	1512793
Height adjustable pushhandles external long grip incl headrest	1530511	1530512	1512782	1512783	1512784	1512785	1512786	1512787
Height adjustable pushhandles external long grip incl headrest with cheek support	1530535	1530536	1512743	1512744	1512745	1512746	1512747	1512748

* XLT Swing

Pushhandles

Description	Art.no.
Fixed	1511455
Foldable	1511472
Height adjustable external short grip	1512795
Height adjustable external long grip	1512797
End part backrest when no pushhandles	1511595



Fixed pushhandles



Foldable pushhandles



Height adj. pushhandles

Seat type tension adjustable, depth adjustable 40 mm

Description	Art.no.		
	Tension adjustable, depth adjustable 4 cm XLT Max		
Seat type seat width in mm	SW 505	SW 555	SW 605
Seat depth 500 mm	1535453	1529661	1529754
Seat depth 550 mm	1529474	1529672	1529673
Seat depth 600 mm	1529660	1529673	1529756

Seat type tension adjustable, depth adjustable 40 mm

Description	Art.no.							
	330	355	380	405	430	455	480	505
Seatdepth 400 mm	1518674 *	1512243	1512244	1512301	1512389	1512393	1512496	1512497 *
Seatdepth 450 mm	1518675 *	1512498	1512499	1512500	1512501	1512502	1512503	1512504 *
Seatdepth 500 mm	-	1512505	1512506	1512507	1512529	1512530	1512547	1512548 *

* XLT Swing

Seat type tension adjustable, depth adjustable 40 mm

Description	Art.no.		
	Flo-tech Contour seat cushion		
Seat type seat width in mm	SW 505	SW 555	SW 605
Seat depth 500 mm	1534690	1535692	1534694
Seat depth 550 mm	1534691	1534693	1534695
Seat depth 600 mm	-	-	-



Flo-tech Contour seat cushion

* XLT Swing

Fixed legrests coloured as the chassie (XLT Swing)

Description	Art.no.
Hangers 80° Pearl Grey	1493055-0515
Hangers 80° Shining Blue	1493055-0507
Hangers 80° Anthracite Black	1493055-0514
Hangers 80° Red	1493055-0501
Hangers 80° Orange (Special)	1493055-0518
Hangers 90° Pearl Grey	1493056-0515
Hangers 90° Shining Blue	1493056-0507
Hangers 90° Anthracite Black	1493056-0514
Hangers 90° Red	1493056-0501
Hangers 90° Orange (Special)	1493056-0518



Fixed legrest

Amputee legrest (XLT Swing)

Description	Art.no.	
	Left	Right
Amputee legrest	1512727	1512728



Amputee legrest

One piece footrest to fit seat width in mm

Description	Art.no.					
	Seat width in mm					
	355	380	405	430	455	480
Adjustable one piece footrest in depth and angle to fit Active and Dynamic frame	-	1512689	1512690		1512691	

Foot board, depth and angle adjustable, XLT Max

Description	Art.no.		
	Seat width in mm		
	505	550	605
Foot board cpl, XLT Max	1537671	1537672	1537752

Footrest High to fit seat width in mm (XLT 75/90)

Description	Art.no.					
	Seat width in mm					
	355	380	405	430	455	480
Footrests High to fit Active and Dynamic frame	1512692	1512693	1512694	1512758	1512759	1512760

Footbow rigid to fit seat width in mm (XLT 75/90)

Seat width in mm	Art.no.	
	low	high
355	1512671	1512677
380	1512672	1512678
405	1512673	1512679
430	1512674	1512680
455	1512675	1512681
480	1512676	1512682



Footbow rigid

Footrest High to fit seat width in mm (XLT Max)			
Description	Art.no.		
	Seat width in mm		
	505	550	605
Footrests High to fit XLT Max	1536787	1536788	1536789

Cover for footbow rigid to fit seat width in mm	
Seat width in mm	Art.no.
355	1512683
380	1512684
405	1512685
430	1512686
455	1512687
480	1512688

Footbow rigid, XLT Max, to fit seat width in mm	
Seat width in mm	Art.no.
	Low
505	1528689
555	1528690
605	1528689



Footbow rigid, XLT Max

Cover for footbow rigid, XLT Max, to fit seat width in mm	
Seat width in mm	Art.no.
505	1532825
555	1532826
605	1532827

Armrest attachment	Art.no.	
Description	Left	Right
Flip-up Rear (pair)	1512697	
Rio XLT (pair)	1512696	
XLT Max	1533950	

Armrest to the different wheelchair models		
Description	Art.no.	
	Left	Right
Mudguard high	1512845	1512844
Mudguard low	1512847	1512846
Sideguard	1491238	1491237



Mudguard



Sideguard

Castor attachment type		
Description	Art.no.	
	Active/Dynamic frame	Swing frame / XLT Max
Castor attachment	1512844	1512845

Art.no of castors in combination with forks		
Castor (Approximate in inch")	Forks	Art.no. fixed castor + fork
75x24 soft (3")	75"	1512762
	110"	1512763
	150"	1512764
100x27 medium hard (4")	75"	1512765
	110"	1512766
	150"	1512767
125x27 soft (5")	110"	1512768
	150"	1512769
140x37 soft (5,5")	110"	1512770
	150"	1512771
150x30 medium hard (6")	110"	1555788
	150"	1555789
150x30 soft (6")	110"	1512774
	150"	1512775
150x32 pneumatic (6")	110"	1512776
	150"	1512777
180x40 pneumatic (7")	110"	1512780
	150"	1512781
180x40 soft (7")	110"	1512778
	150"	1512779

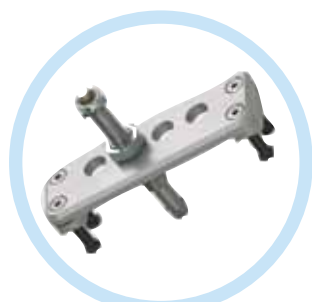


Castor cpl

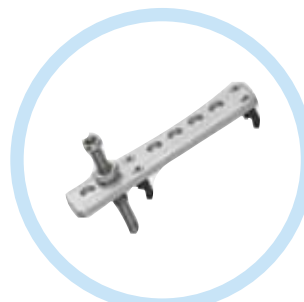
Rearwheel attachment	
Description	Art.no.
Rearwheel fixation std 0 degrees	1511869
Camber kit 3 degrees	1511930
Rear wheel extension (behind backrest frame)	1512236
Kit, DB, cpl, pair, incl, attachm.	1512718



Rearwheel fixation std XLT Max



Camber 3 deg



Rearwheel extension

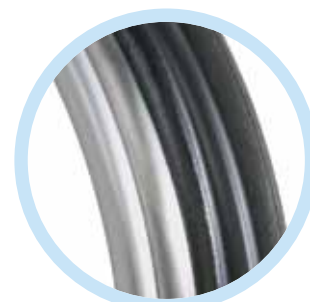
Rearwheels 24"	
Description	Art.no.
Sporty low profile, aluminium handrim (24 x 1")	1483924
24" Spinergy, low profile (24x1"), black marathon evolution, titanium handrims	1497787
Puma low profile, aluminium handrim (24 x 1")	5750796
Sporty low profile Black Marathon plus evolution, aluminium handrim(24 x 1")	1512822
Black Marathon plus evolution, aluminium handrim (24 x 1")	1512709
Black Marathon plus evolution, stainless handrim(24 x 1")	1512710
Black Marathon plus evolution, plastic coated handrim (24 x 1")	1512711
Black Marathon plus evolution, foam coated handrim(24 x 1")	1512712
Black Marathon plus evolution, black grip handrim (24 x 1")	1512713
Black Marathon plus evolution, no handrim, no clips (24 x 1")	1512714

Rearwheels 24" with std handrims			
Description	24"		
	Handrims		
Tyres	Stainless	Foam coated	Black Grip
Low Profile	1531063	1531533	1531566
Pneumatic non marking	1530763	1531462	1531538
Pneumatic profiled	1530764	1531508	1531563
Solid	1530762	1531531	1531564
Puncture proof	1531129	1531532	1531565



Rearwheels

Rearwheels 24"DB with std handrims			
Description	24"		
	Handrims		
Tyres	Stainless	Foam coated	Black Grip
Low Profile	-	-	-
Pneumatic non marking	1531064	1531534	1531567
Pneumatic profiled	1531080	1531535	1531568
Solid	1531127	1531536	1531569
Puncture proof	1531128	1531537	1531570



Handrims

Rearwheels 25" / 26"

Description	Art.no.
Pneumatic non marking, aluminium handrim 25"	1508583 *
Pneumatic non marking, aluminium handrim 26"	1508584 *

* Not for XLT Max

Rearwheels 24" XLT Max

Description	Art.no.				
	Aluminium	Stainless	Plastic coated	Foam coated	Black grip
24" Tyres black marathon evolution	1532143	1532144	1532183	1532184	1532185

Trunk support *

Description	Art.no.	
	Left	Right
Trunk support	1512867	1512866

* Not for XLT Max

One arm drive **

Description	Art.no.						
	Seat width in mm						
	355	380	405	430	455	480	505*
Profiled tyres	1512860			1512861		1512862	
Solid tyres	1512863			1512864		1512865	

* XLT Swing ** Not for XLT Max

Safety

Description	Art.no.	
	Left	Right
Pelvic belt	1551067	
Standard brake	1512662	
Brake kit 22" + 24" DB, XLT Std	1536468	1536469
Brake kit 22" + 24" DB, XLT Max	1539477	1539478
Active brake **	1512665	
Performance brake *	1512668	
One arm brake **	1512669	1512670
Anti tip device	1512715	1512716
Anti tip device extended **	1518488	

* Not for XLT Swing and XLT Max ** Not for XLT Max



Standard brake



Active brake



Performance brake

Invacare Europe:

Invacare International Sàrl
Route de Cité-Ouest 2
1196 Gland
Switzerland
www.invacare.eu.com

European Distributor Organisation:

Invacare
Kleiststraße 49
32457 Porta Westfalica
Germany
www.invacare.eu.com

Italia:

Invacare Mecc San s.r.l.
Via dei Pini 62
36016 Thiene (VI)
www.invacare.it

Portugal:

Invacare Lda
Rua Estrada Velha, 949
4465-784 Leça do Balio
www.invacare.pt

Belgium & Luxemburg:

Invacare nv
Autobaan 22
8210 Loppem - Belgium
www.invacare.be

España:

Invacare SA
c/ Areny s/n
Polígon Industrial de Celrà
17460 Celrà (Girona)
www.invacare.es

Nederland:

Invacare BV
Celsiusstraat 46
6716 BZ Ede
www.invacare.nl

Sverige & Suomi

Invacare AB
Fagerstagatan 9
P.O. Box 66
163 91 Spånga - Sweden
www.invacare.se

Denmark:

Invacare A/S
Sdr. Ringvej, 37
2605 Brøndby
www.invacare.dk

France & Greece:

Invacare Poirier SAS
Route de St Roch
37230 Fondettes
France
www.invacare.fr

Norge & Iceland:

Invacare AS
Grensesvingen 9
Postboks 6230 - Etterstad
0603 Oslo - Norway
www.invacare.no

Switzerland:

Invacare AG
Benkenstrasse 260
4108 Witterswil
www.invacare.ch

Deutschland:

Invacare GmbH
Alemannenstraße 10
88316 Isny
www.invacare-aquatec.de

Ireland:

Invacare Ireland Ltd
Unit 5 Seatown Business Campus
Seatown Road - Swords
County Dublin
www.invacare.ie

Österreich:

Invacare Austria GmbH
Herzog Odilostrasse 101
5310 Mondsee
www.invacare.at

United Kingdom:

Invacare Limited
Pencoed Technology Park
Pencoed
Bridgend CF35 5AQ
www.invacare.co.uk



Invacare International Sàrl
Route de Cité-Ouest 2
1196 Gland - Switzerland
Tel: +41 (0)22 354 60 10
Fax: +41 (0)22 354 60 11
hqeuropa@invacare.com
www.invacare.eu.com

© 2011 Invacare International Sàrl. All rights reserved.

All information quoted is believed to be correct at time of print. Invacare reserves the right to alter product specifications without prior consultation. The reproduction or use of this work, or of any substantial part of this work, in any form or by any electronic, mechanical or other means, including photocopying, scanning and recording, and in any information storage and retrieval system, including electronic transmission, is forbidden without the prior written permission of Invacare International Sàrl.

Compatibility Catalogue - EU - 02/2012