

## *Reservdels Katalog*

---

Version: 2015/01/05a SV



**Invacare® Birdie™**



**Yes, you can.®**

### **Allmän information.**

Vid beställning av reservdelar måste alltid följande anges:

- Typ av produkt.
- Produktens namn och modell.
- Produktens serienummer.
- Reservdelens artikelnummer.
- Reservdelens benämning.

Sprängskisser och reservdelars positionsnummer är inte bindande och kan ändras utan föregående notis, allt i enlighet med Invacare's ständiga strävan att förbättra sina produkter och att tillmötesgå sina kunders behov.

All kopiering eller användning av detta material, eller av någon väsentlig del av det, oavsett format eller metod, elektronisk, mekanisk eller på annat sätt, inklusive fotokopiering, skanning eller inspelning, och lagring i elektroniskt media eller i informationssystem, inklusive elektroniska överföringar, får ej utföras utan skriftligt medgivande från Invacare® International Sarl.



Yes, you can.®

## Innehållsförteckning

---

### Färgspecifikation

Färger stål och plast .....	5
Trätyper .....	6

### Underrede och ben

Underrede med manuell benspridning Birdie, Birdie Compact .....	7
Fotpedal .....	8
Fotpedal .....	9
Framhjul Ø75mm Colson .....	10
Framhjul Ø100mm Tente .....	11
Bakhjul Ø75mm Colson m broms manuell benspridning .....	12
Bakhjul Ø100mm Tente m broms manuell benspridning .....	13
Ben .....	14
Underrede med elektrisk benspridning Birdie .....	15
Motor för elektrisk benspridning Birdie .....	16
Motor for elec. leg spread, Birdie Plus .....	17
Framhjul Ø75mm Colson .....	10
Framhjul Ø100mm Tente .....	11
Bakhjul Ø75mm Colson m broms elektrisk benspridning .....	18
Bakhjul Ø100mm Tente m broms elektrisk benspridning .....	19
Ø125 mm rear castors with brake, for elec. leg spread, Tente .....	20
Ben .....	14

### Elektriska komponenter

Elektronik .....	21
Lyftmotor .....	22
Motor för elektrisk benspridning Birdie .....	16
Motor for elec. leg spread, Birdie Plus .....	17
Handkontroll .....	23

### Mast och bom



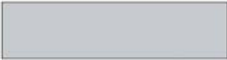


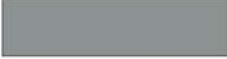












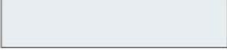
Mast och bom .....	24
Elektronik .....	21
Lyftmotor .....	22

### Lyftbygel

(Spreader bar 2 points (450/550 mm)) .....	26
(Spreader bar 4 points (450/550 mm)) .....	27



## Färger stål och plast




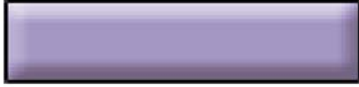
Chromated, glossy 0001	 0153	 7035
Zinc, natural 0002	 0154	 7039
Zinc, black 0003	 1015	 7042
Anodized, black 0004	 3004	 7046
Anodized, natural 0005	 5002	 8016
Chromated, matte 0011	 7012	 9005
 0150	 7016	 9006
 0151	 7032	 9010
 0152	<p>NB: Colours are for reference only                      Not all colours are available for all products</p>	

-

(Not for separate sale - please contact Invacare)

1

## Trätyper

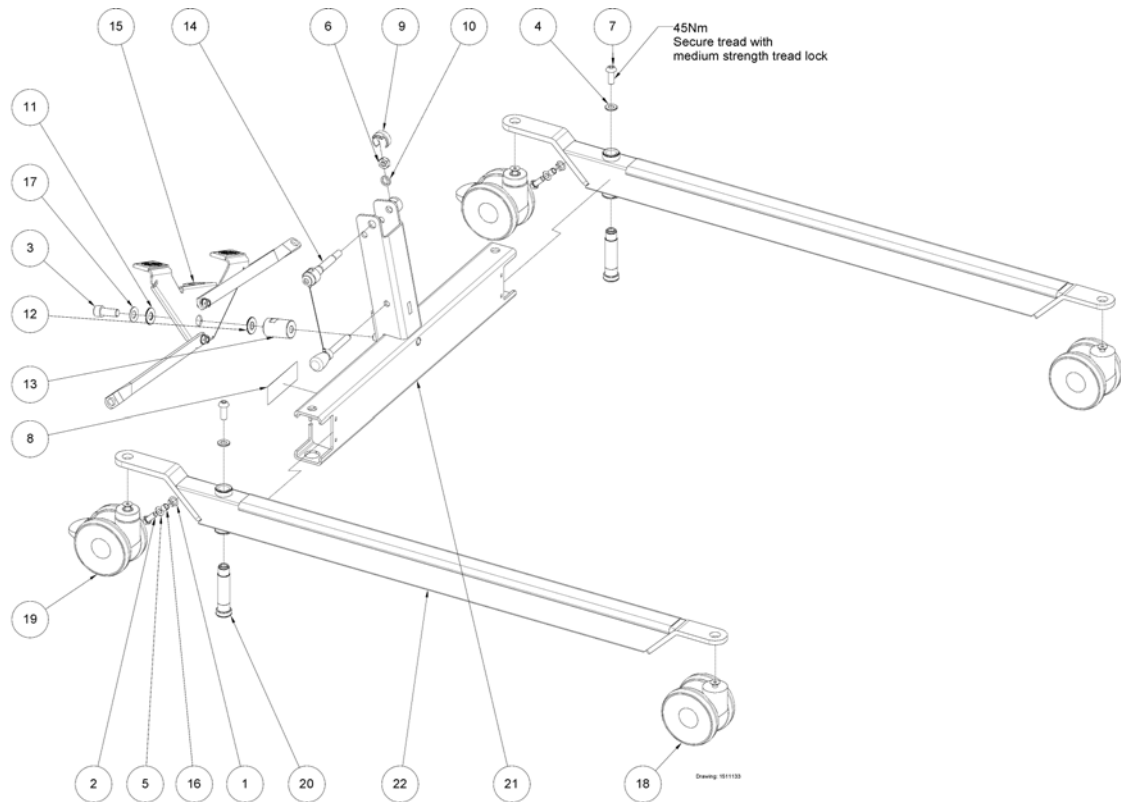
 Beech	0101		0112
 Cherry	0102		0113
 Mahogany	0103		0114
 Light beech	0105		0115
	0110		0116
	0111		0117

-

(Not for separate sale - please contact Invacare)

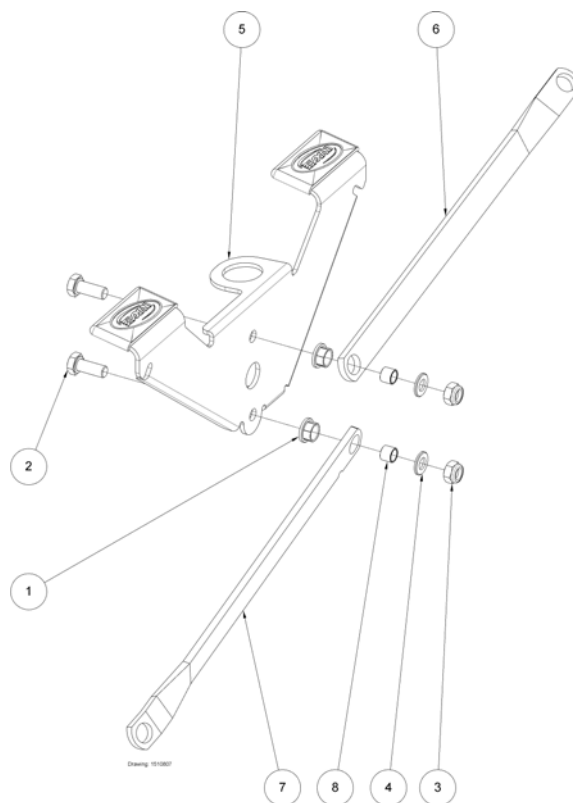
1

## Underrede med manuell benspridning Birdie, Birdie Compact



1	SP420625-7035	(Bearing bushing Ø10,2/Ø12,9/Ø16,5x5,7 RAL 7035)	2
2	803004	Screw m8x20 iso 4017	2
3	803066	Skruv m 12x30	1
4	SP803847	Facettskiva m10 fzb	2
5	804200	Washer m8 iso 7090	2
6	806651	Låsmutter m6m 10loc-king fzb	1
7	817264	Screw m10x25 st. 10.9	2
8	1424016	Identification label 35x97 (silver polyester)	1
9	1509369-7012	Mutterclips bult bas/mast Birdie	1
10	1510029	Washer Ø17/Ø12,5x3 stainless	1
11	1510215	Washer Ø28/Ø12x2 brass	1
12	1510216	Washer Ø18/Ø12x3 brass	1
13	1510217-7012	Pedal axle for Birdie, Ø30/M12x46, RAL 7012	1
14	1510506	Sprintsats inkl wire Birdie	1
15	-	Fotpedal	1
16	1514737	Bushing Ø10/Ø8x8 stainless	2
17	1514849	Washer, spring, Ø25/Ø12,2x1,5	1
18	-	Framhjul Ø75mm Colson	2
18	-	Framhjul Ø100mm Tente	2
19	-	Bakhjul Ø75mm Colson m broms manuell benspridning	2
19	-	Bakhjul Ø100mm Tente m broms manuell benspridning	2
20	1526963	Bult M10 special	2
21	1528042-7012	Base for Birdie Compact, RAL 7012	1
21	1528043-7012	Base for Birdie, RAL 7012	1
22	-	Ben	2
23	SP1545308-7012	(Padded insert plastic)	1

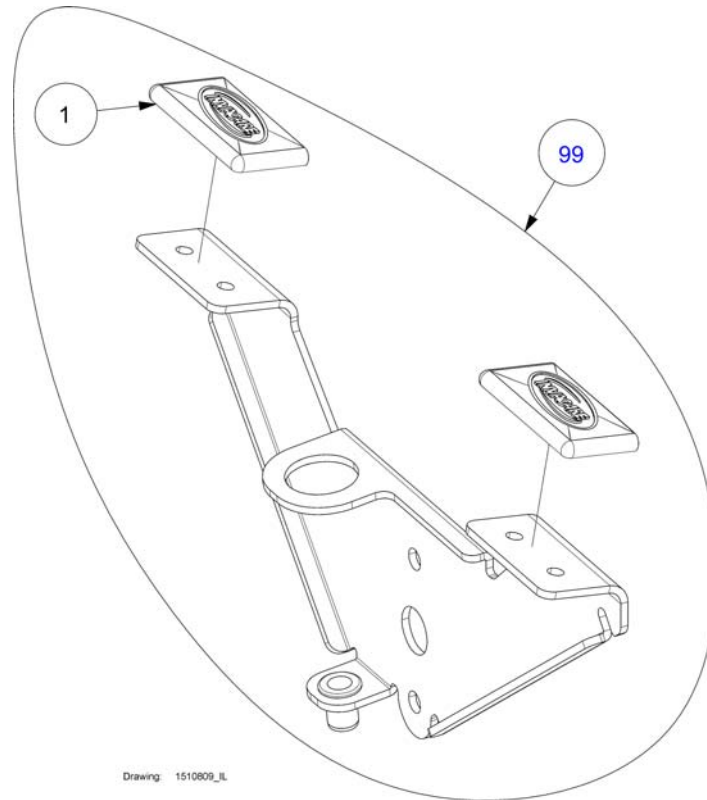
## Fotpedal



1	SP420625-7035	(Bearing bushing Ø10,2/Ø12,9/Ø16,5x5,7 RAL 7035)	2
2	803004	Screw m8x20 iso 4017	2
3	803927	Låsmutter m8 z hfc 840	2
4	804200	Washer m8 iso 7090	2
5	-	Fotpedal	1
6	1511880-7012	Connecting rod for legs, left, Birdie Compact, RAL 7012	1
6	1511881-7012	Connecting rod for legs, left, Birdie, RAL 7012	1
7	1511854-7012	Connecting rod for legs, right, Birdie Compact, RAL 7012	1
7	1511882-7012	Connecting rod for legs, right, Birdie, RAL 7012	1
8	1514737	Bushing Ø10/Ø8x8 stainless	2



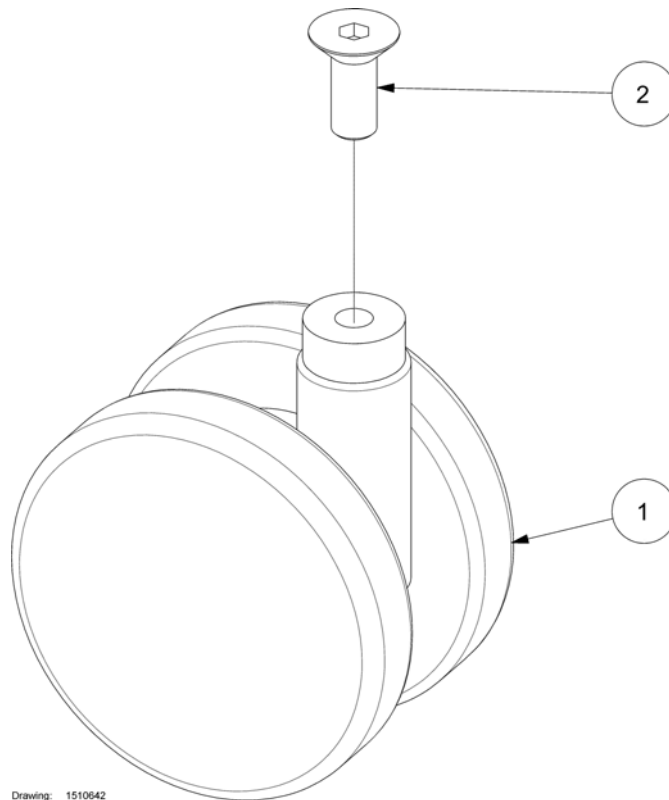
# Fotpedal



---

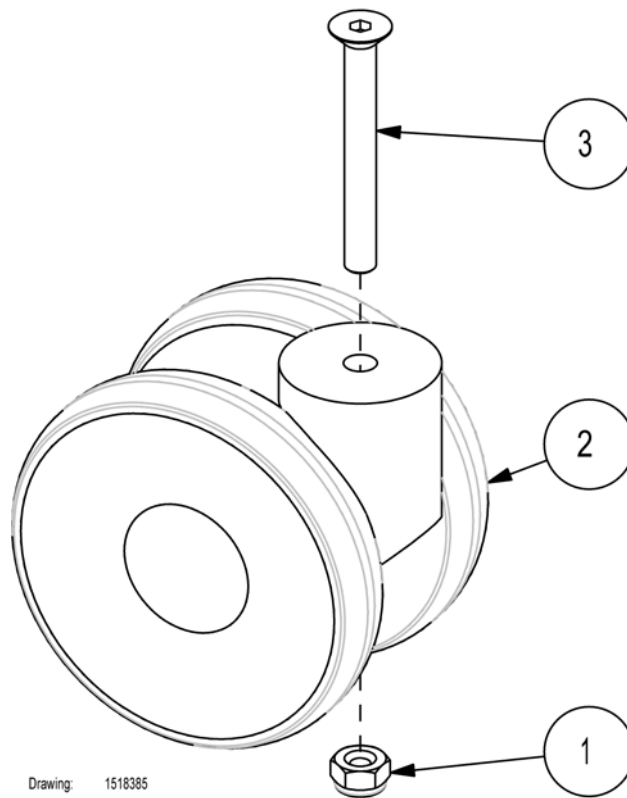
1	SP1509450-7012	Pedalgummi Birdie Manuell	2
99	1510809-7012	Pedals with rubber pads, RAL 7012	1

## Framhjul Ø75mm Colson



---

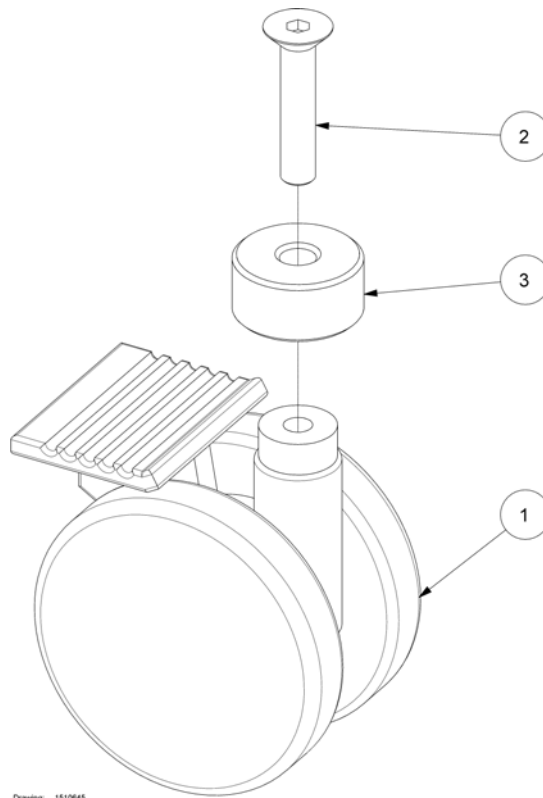
1	SP1426519	(Castor 75mm for Birdie/Birdie-Compact Colson Twin Tech)	1
2	SP1426737	(Screw M8x20 St. 10.9 ISO 10642)	1



---

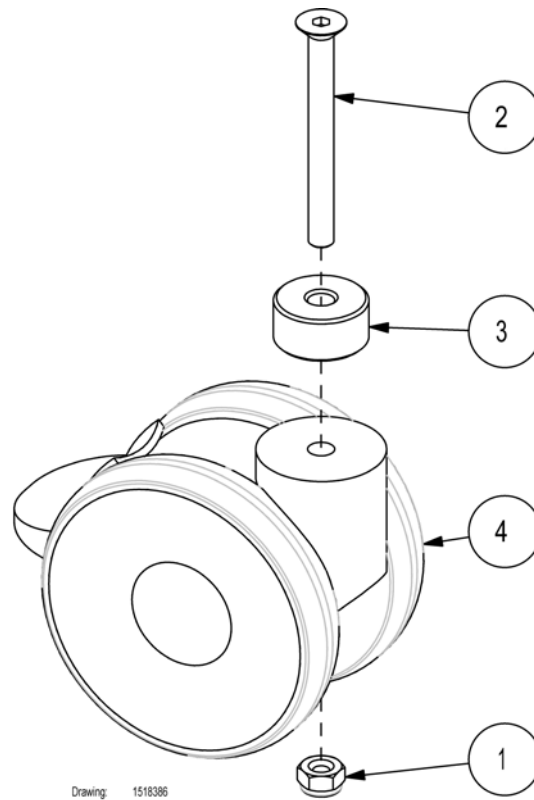
1	803927	Låsmutter m8 z hfc 840	1
2	1511489	Hjul u broms twin Tente 100 mm Birdie	1
3	1518383	Skruv t hjul 100 mm Tente M8x70 10,9 fram	1

## Bakhjul Ø75mm Colson m broms manuell benspridning



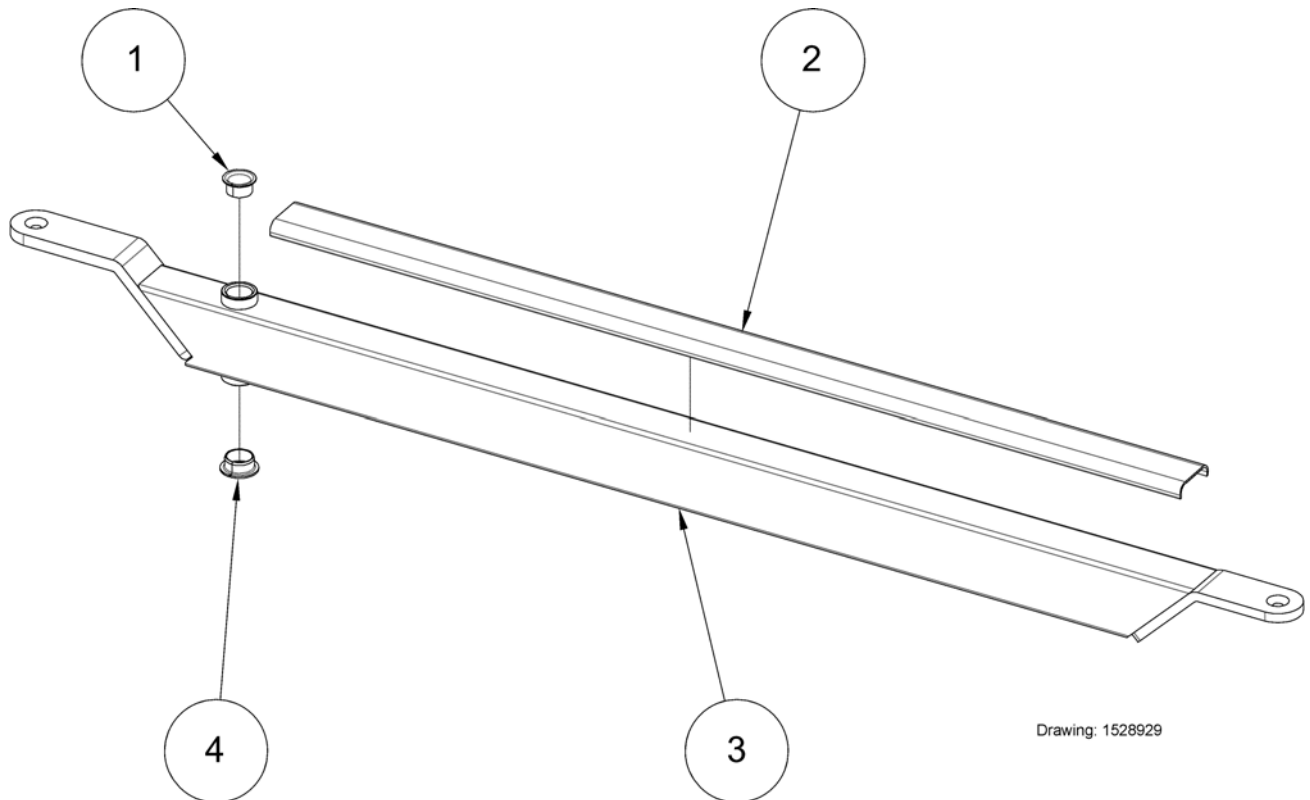
---

1	1423369	Hjul 75mm Etude extra low		1
2	1509735	SKRUV M8X40 10,9 ISO10642		1
3	1523115-7012	Bussning 40x8,5x15 <i>1523115-7012 has replaced 1509744-7012</i>	01.01.2009 →	1

**Bakhjul Ø100mm Tente m broms manuell benspridning**

1	803927	Låsmutter m8 z hfc 840		1
2	1509733	Skruv t hjul m broms M8x80 10.9 ISO10642		1
3	1523115-7012	Bussning 40x8,5x15 <i>1523115-7012 has replaced 1509744-7012</i>	01.01.2009 →	1
4	SP1511582	(100 mm, back, Birdie)		1

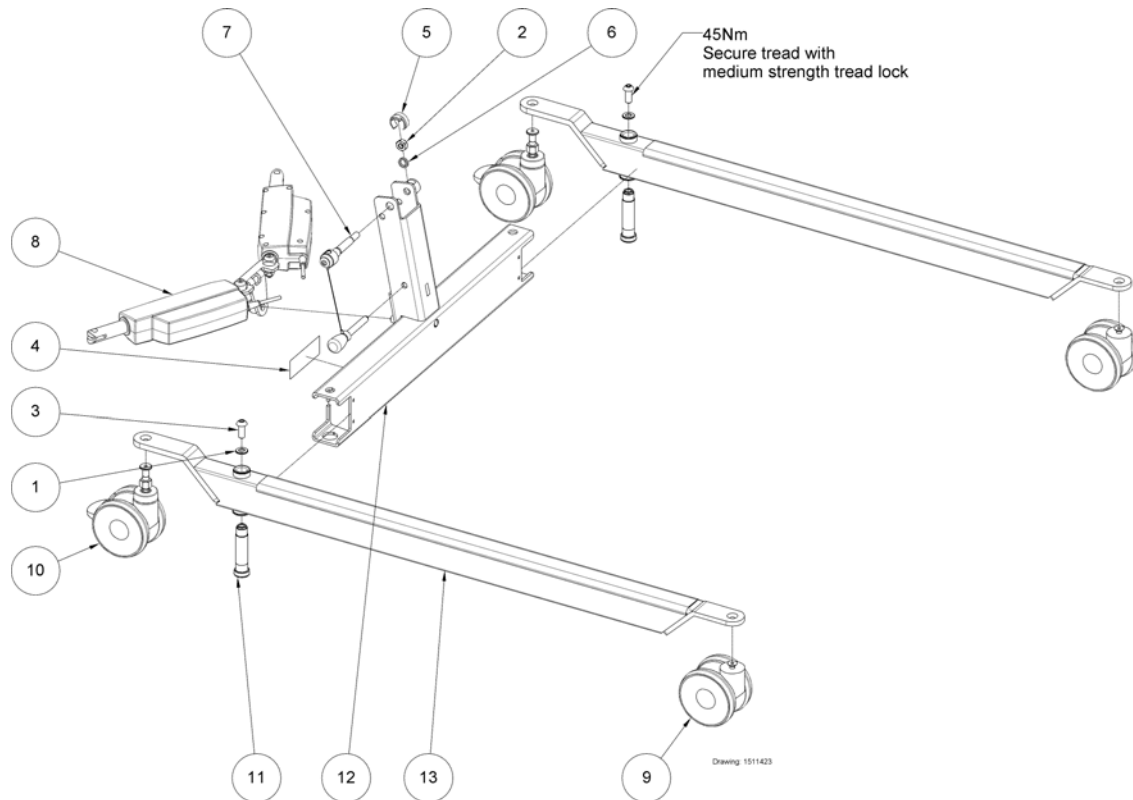
## Ben



Drawing: 1528929

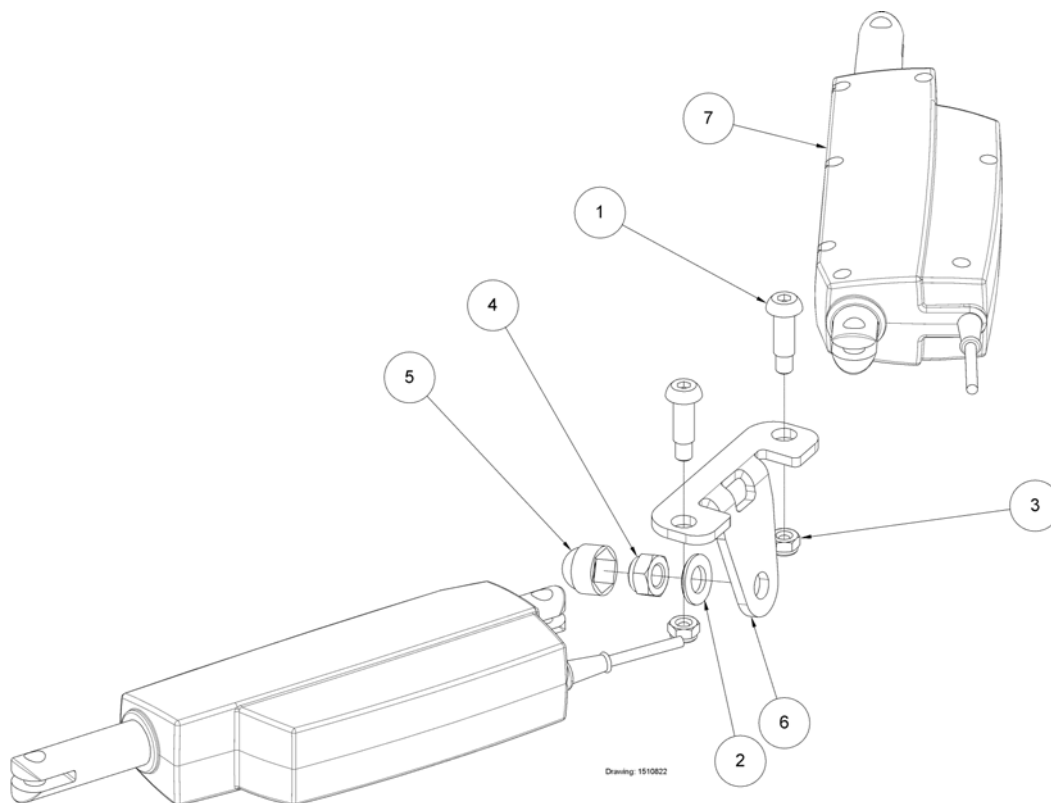
1	1441496	Ptfe bearing, Robin suspension	1
2	1511080-7012	Protective rail with tape, Birdie Compact, RAL 7012	1
2	1511104-7012	Protective rail with tape, Birdie, RAL 7012	1
3	1527595-7012	Leg, Birdie Compact, RAL 7012	1
3	1527632-7012	Leg, Birdie, RAL 7012	1
3	SP1527634-7012	Leg, Birdie Plus, RAL 7012	1
4	1528776	Ø20 PTFE bearing	1

## Underrede med elektrisk benspridning Birdie



1	SP803847	Facettskiva m10 fzb	2
2	806651	Låsmutter m6m 10loc-king fzb	1
3	817264	Screw m10x25 st. 10.9	2
4	1424016	Identification label 35x97 (silver polyester)	1
5	1509369-7012	Mutterclips bult bas/mast Birdie	1
6	1510029	Washer Ø17/Ø12,5x3 stainless	1
7	1510506	Sprintsats inkl wire Birdie	1
8	-	Motor för elektrisk benspridning Birdie	1
8	-	Motor for elec. leg spread, Birdie Plus	1
9	-	Framhjul Ø75mm Colson	2
9	-	Framhjul Ø100mm Tente	2
10	-	Bakhjul Ø75mm Colson m broms elektrisk benspridning	2
10	-	Bakhjul Ø100mm Tente m broms elektrisk benspridning	2
10	-	Ø125 mm rear castors with brake, for elec. leg spread, Tente	2
11	1526963	Bult M10 special	2
12	1528043-7012	Base for Birdie, RAL 7012	1
12	SP1528044-7012	Base for Birdie Plus, RAL 7012	1
13	-	Ben	2
14	SP1545308-7012	(Padded insert plastic)	1

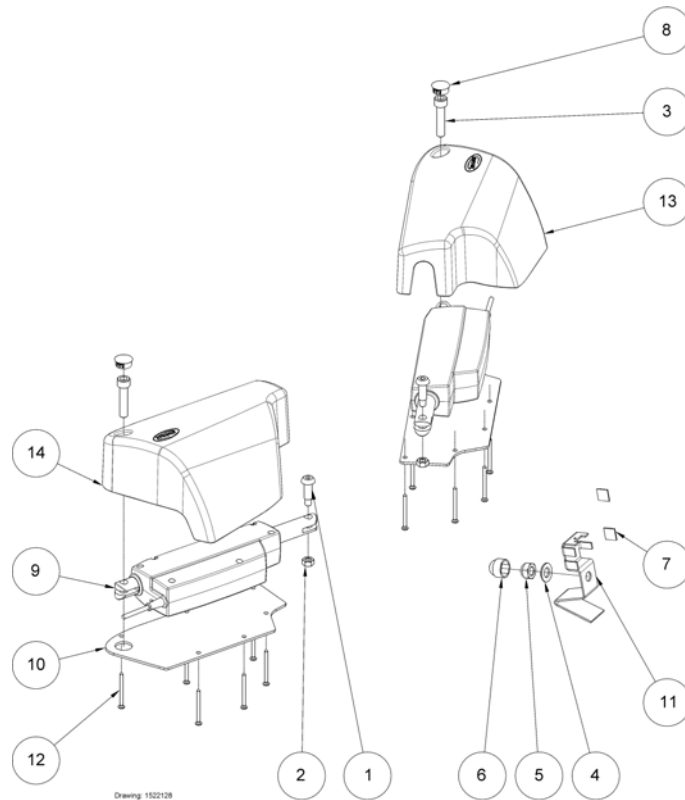
## Motor för elektrisk benspridning Birdie



1	420623	Bult m8x3.4 <i>Screw and nut has replaced clevis pin and pin</i>	01.10.2007 →	2
2	SP803273	(Washer ISO7090 M12)		1
3	803927	Låsmutter m8 z hfc 840 <i>Screw and nut has replaced clevis pin and pin</i>	01.10.2007 →	2
4	804481	Låsmutter m12 elzn		1
5	814390-7012	Mutterskydd M12 RAL7012		1
6	1510353-7012	BESLAG FÖR BENSPRIDNING BIRDIE		1
7	SP1510478-9005	Motorsats bendel Birdie		1
7	SP1527962-9005	(Actuator 24v, 2 x LA12, electrical leg Birdie JumboCare (1 pcs per hoist))		1



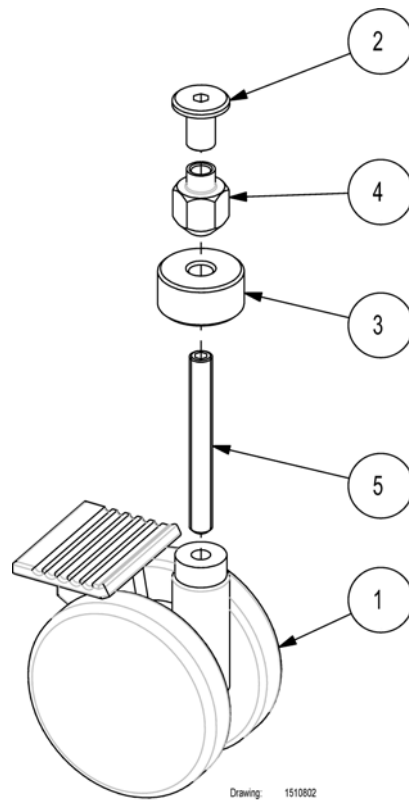
## Motor for elec. leg spread, Birdie Plus



Drawing: 1522128

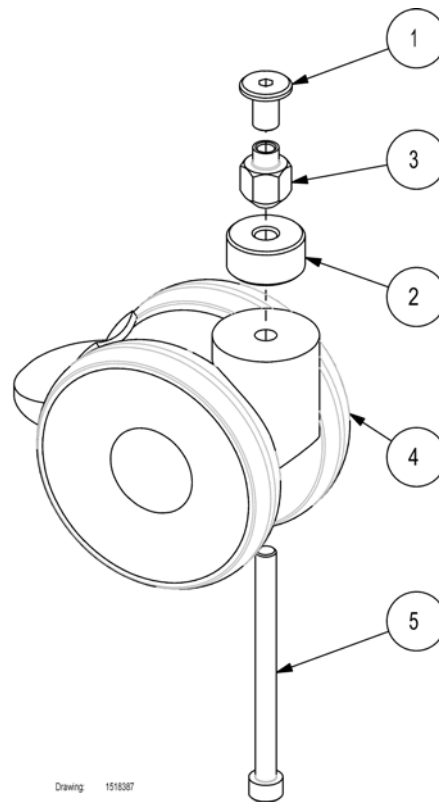
1	420623	Bult m8x3.4	2
2	802729	Mutter m8 fzb	2
4	SP803273	(Washer ISO7090 M12)	1
5	804481	Låsmutter m12 elzn	1
6	814390-7012	Mutterskydd M12 RAL7012	1
7	SP1426680	Kabelclips 46x41 hfc 2540	2
8	SP1510761	Cap Ø20	2
9	SP1522132-9005	(Motor kit with cable, for leg spread, Birdie Plus, RAL 9005)	1
10	SP1522192-7032	Cover bottom plate for leg spread motor, r/l	2
11	SP1523101-7012	Bracket/Cover steel	1
12	SP1523107	Screw chipboard Ø5x60 PH, PZ2	12
13	SP1523806-7012	Cover for leg spread motor, left	1
14	SP1524060-7012	Cover for leg spread motor, right	1

## Bakhjul Ø75mm Colson m broms elektrisk benspridning



1	1423369	Hjul 75mm Etude extra low		1
2	1509737	Möbelskruv M8x16		1
3	1523115-7012	Bussning 40x8,5x15 <i>1523115-7012 has replaced 1509744-7012</i>	01.01.2009 →	1
4	1509910-0002	Mutter konisk M8 Birdie		1
5	SP1510562	Screw M8x70 St. 14.9 ISO 4026		1

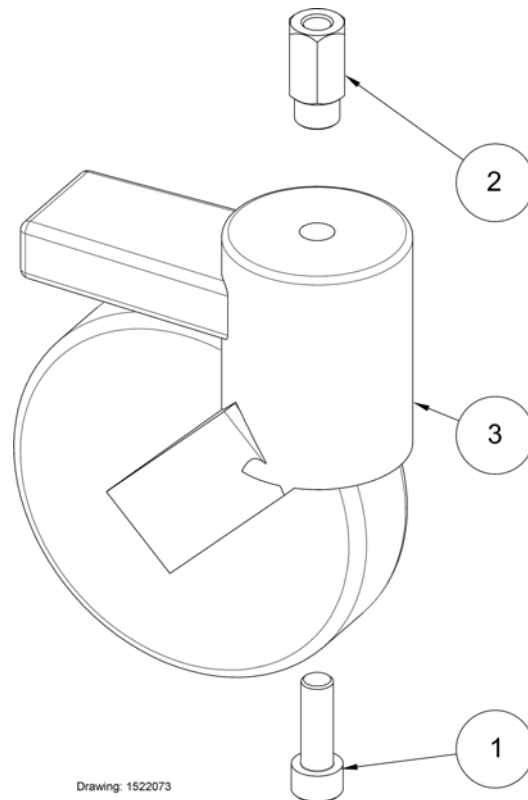
## Bakhjul Ø100mm Tente m broms elektrisk benspridning



Drawing: 1518387

1	1509737	Möbelskruv M8x16		1
2	1523115-7012	Bussning 40x8,5x15 <i>1523115-7012 has replaced 1509744-7012</i>	01.01.2009 →	1
3	1509910-0002	Mutter konisk M8 Birdie		1
4	SP1511582	(100 mm, back, Birdie)		1
5	SP1518384	Skruv M8x100 Birdie hjul		1

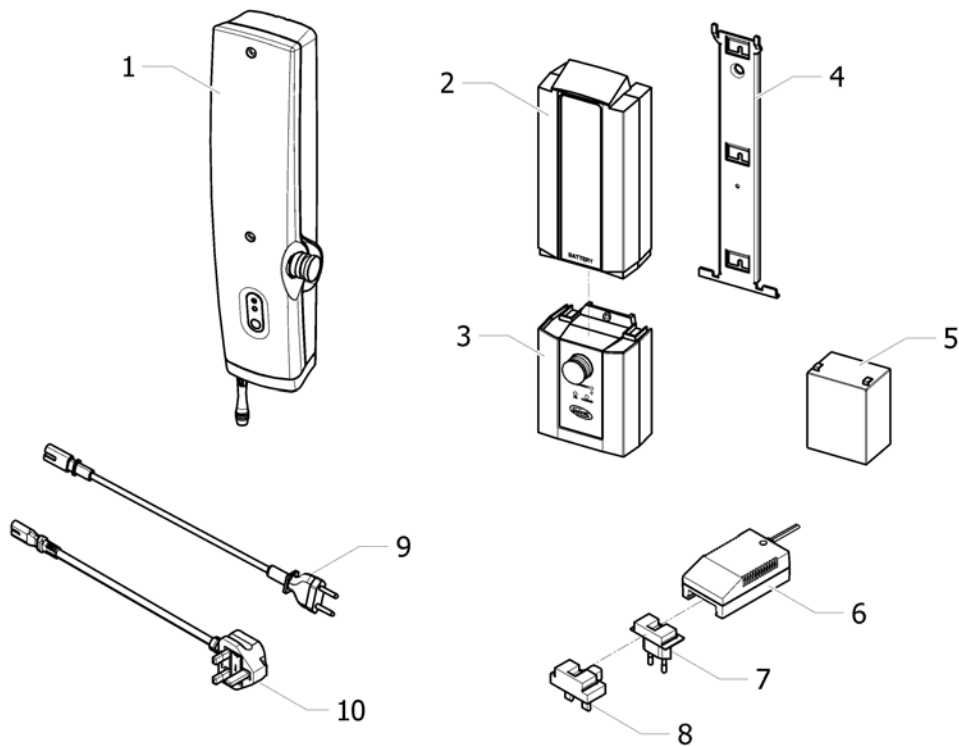
## Ø125 mm rear castors with brake, for elec. leg spread, Tente



---

1	803057	Screw M10x30 8.8 ISO 4762	1
2	SP1522176-0002	Nut M8, special	1
3	1522221	Castor, Ø125 with brake, Tente Linea	1

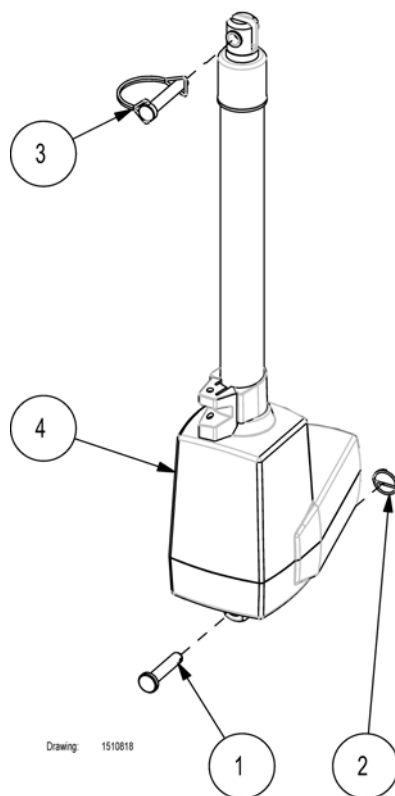
# Elektronik



ISPS1510371

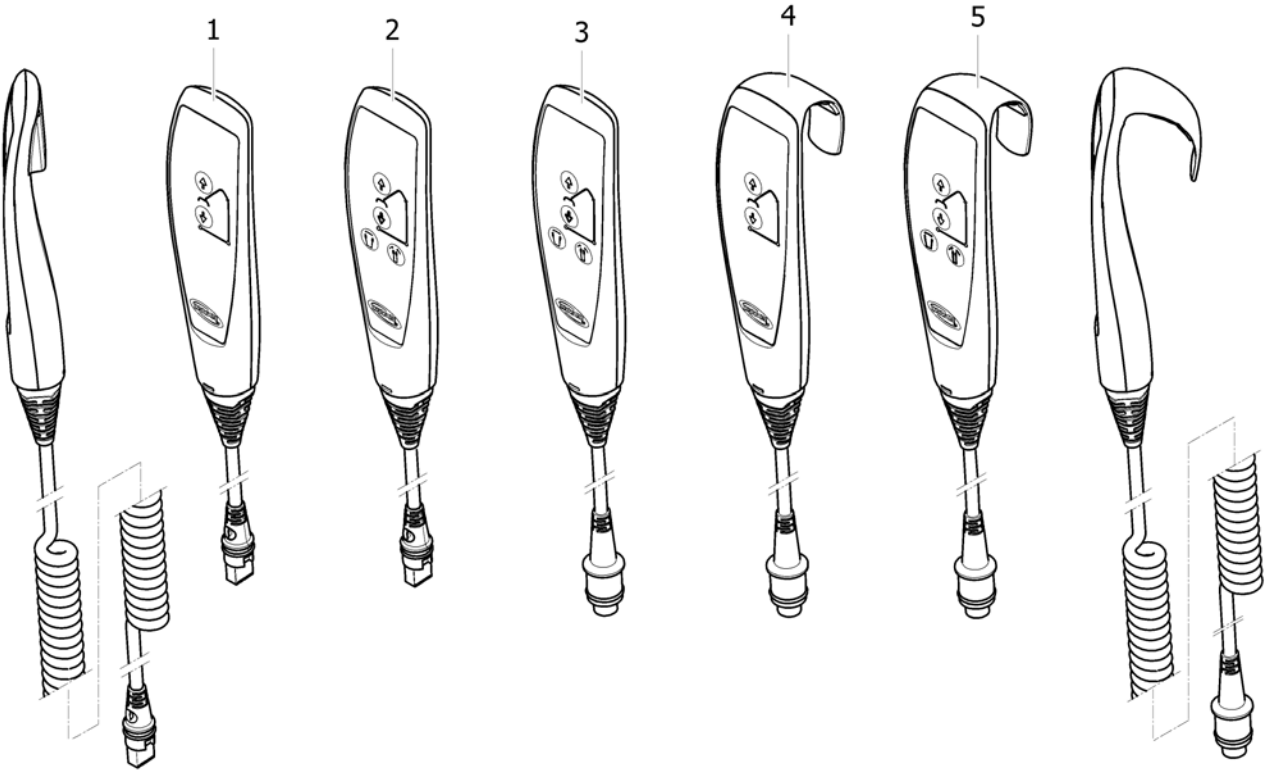
1	SP1575044-7035	Elektronik Birdie Compact 150kg	1
1	SP1575043-7035	(Control box 1 Channel Home Care Manual Leg 170Kg)	1
1	SP1575046-7035	(Control box 1 Channel HomeCare Manual Leg 180Kg)	1
1	SP1575047-7035	Elektronik Birdie 170kg	1
1	SP1575048-7035	Elektronik Birdie 180kg	1
2	SP1514573-7035	(Battery c/w housing CBJ control units RAL 7035)	1
3	SP1522196-7035	(Control unit CBJ1 for elec. leg spread, with Ø6,3 Jack plug, RAL 7035)	1
3	SP1574996-7035	(Control box 1 Channel Jumbo Care Manual Leg 150Kg)	1
3	SP1575023-7035	(Control box 1 Channel Jumbo Care Manual Leg 170Kg)	1
3	SP1574997-7035	(Control box 1 Channel Jumbo Care Manual Leg 180Kg)	1
3	SP1575024-7035	(Control box 2 Channel Jumbo Care Elec Leg 170Kg)	1
3	SP1574998-7035	(Control box 2 Channels Jumbo Care Electrical Leg 180Kg)	1
4	1514574-0002	Bracket for battery housing and CBJ control	1
5	SP1420622	(Battery 2,9 Ah (1 pcs))	2
6	1514576-9005	External charger for CBJ Home control units, RAL 9005	1
7	1514613-9005	Plug adaptor for battery charger, EU plug, RAL 9005	1
8	1533127-9005	(UK plug adaptor for charger)	1
9	SP1511583-7035	Nätkabel kontrollbox StepUp el/ Birdie/Nilco	1
10	SP1511686-7035	(Mains cord, UK)	1

# Lyftmotor



1	802719	Skruv mcs m10x55 fzb <i>802719 and 806651 replaces SP821244 and 1446265</i>	01.08.2008 →	1
2	806651	Låsmutter m6m 10loc-king fzb <i>802719 and 806651 replaces SP821244 and 1446265</i>	01.08.2008 →	1
3	1507121	Traktorsprint 10x50		1
4	SP1510354-7035	Lyftmotor 150kg Birdie Compact		1
4	SP1514572-7035	(Actuator for Birdie Compact 150kg, Detachable battery/control box)	01.01.2008 → 01.08.2008	1
4	SP1510408-7035	Lyftmotor Birdie 170 kg / 180 kg		1
4	SP1514571-7035	(Actuator for Birdie 170kg, Detachable battery/control box)		1
4	SP1522289-7035	(Elevation motor for Birdie Plus, for CBJ1 control, with Ø6,3 Jack plug, RAL 7035)		1

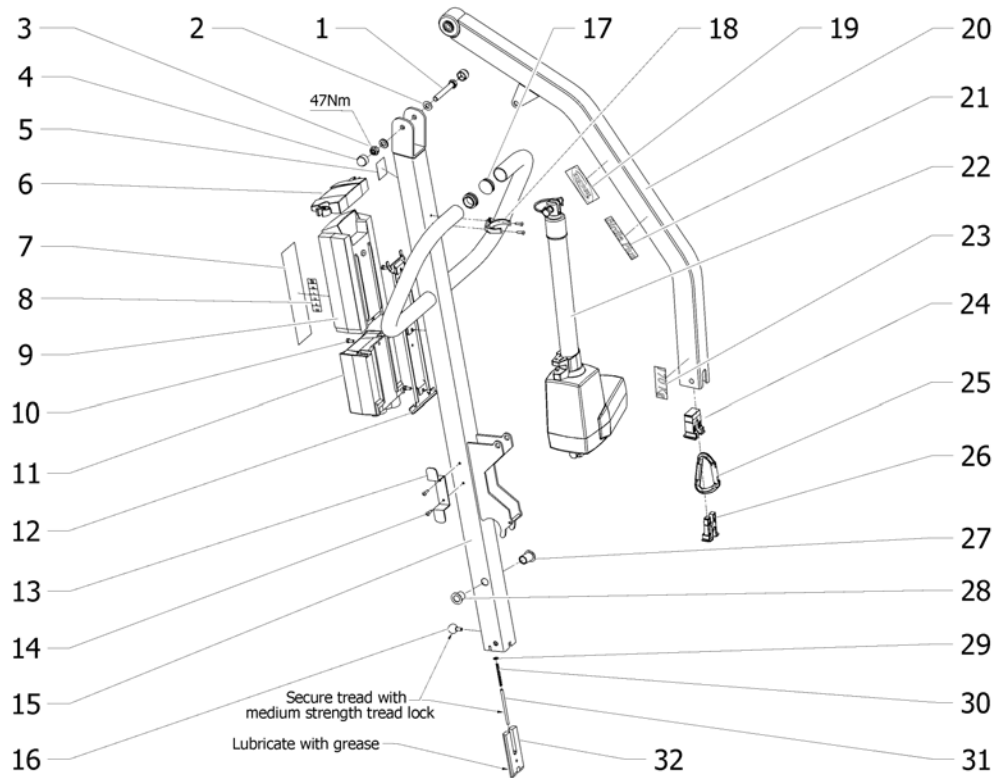
# Handkontroll



ISPS1518396

1	SP1509617	Manöverdosa Birdie el/man	1
2	SP1509618	Manöverdosa Birdie el/el	1
3	SP1522195	(Handcontrol with magnet, 2 Channels for Birdie Plus)	1
4	SP1574990	(Handcontrol with hook, 1 Channel for Birdie or Birdie Compact, Jumbocare)	1
5	SP1155872	(Handcontrol with hook, 2 Channels Birdie, Jumbocare)	1

## Mast och bom



ISPS152129

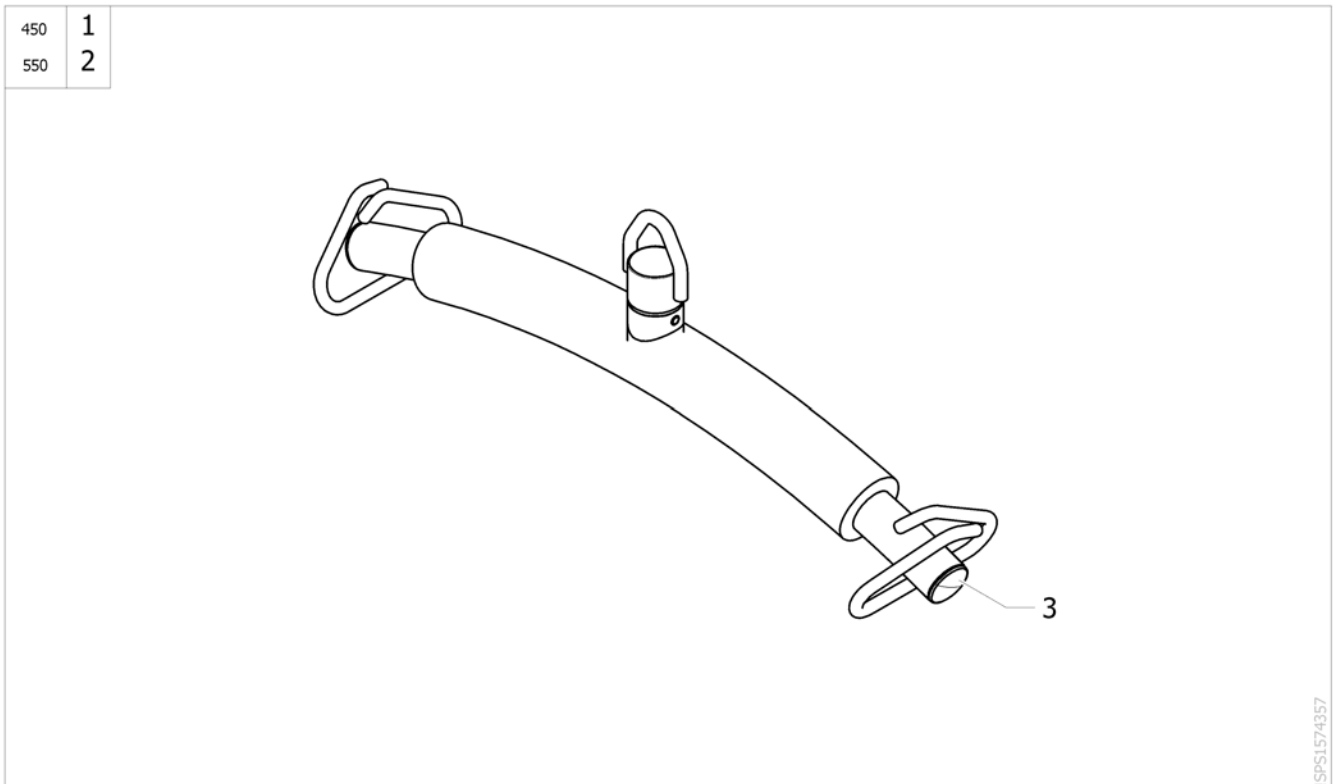
1	1509739	Screw M10x70 St. 8.8 ISO 4014	1
2	SP803847	Facettskiva m10 fzb	2
3	806651	Låsmutter m6m 10loc-king fzb	1
4	1426489-7012	Nut protector M10, RAL 7012	2
5	SP1514228	Label "TUV"	1
6	SP1523789-7035	Lidcover for battery	1
7	SP1522220	Label for CBJ1 control unit with elec. leg spre	1
7	SP1528280	(Label for CBJ2 control unit with elec. leg spread (quick guide))	1
8	1511359	Label with sling sizes	1
9	SP1514573-7035	(Battery c/w housing CBJ control units RAL 7035)	1
10	SP1509740	Screw M5x70 St. 8.8 ISO 4762 <i>To be used with CBJ Home control units</i>	2
11	-	Elektronik	1
12	1514574-0002	Bracket for battery housing and CBJ control	1
13	SP1522201	Cable roll up	1
14	1509461-7012	Hållare f kolvstång Birdie	1
14	1509413-7012	Clips for elevation motor LA31, RAL 7012	1
15	1510870-9006	Mast for Birdie, RAL 9006	1
15	1510871-9006	Mast for Birdie Compact, RAL 9006	1
16	1510641-7012	Låsspärr med kula mast dia 20M6x13 Birdie	1
17	SP809982-7012	Ferrule Ø32, RAL 7012	2
18	1444036	Rivet ø4x14	4
19	SP417547	(Invacare Logo Label)	1
20	1510823-9006	Bom förmonterad Birdie 170kg	1
20	1510869-9006	Jib for Birdie Compact, RAL 9006	1
21	SP1509738	Label Birdie	2
21	SP1509741	Label Birdie Compac	2
21	SP1522202	Label "Birdie Plus"	2
22	-	Lyftmotor	1
23	1509742	Label 150 kg	2
23	1509743	Label 170 kg	2
24	1509328-7012	Plastlås 1 Birdie	1



**Mast och bom**

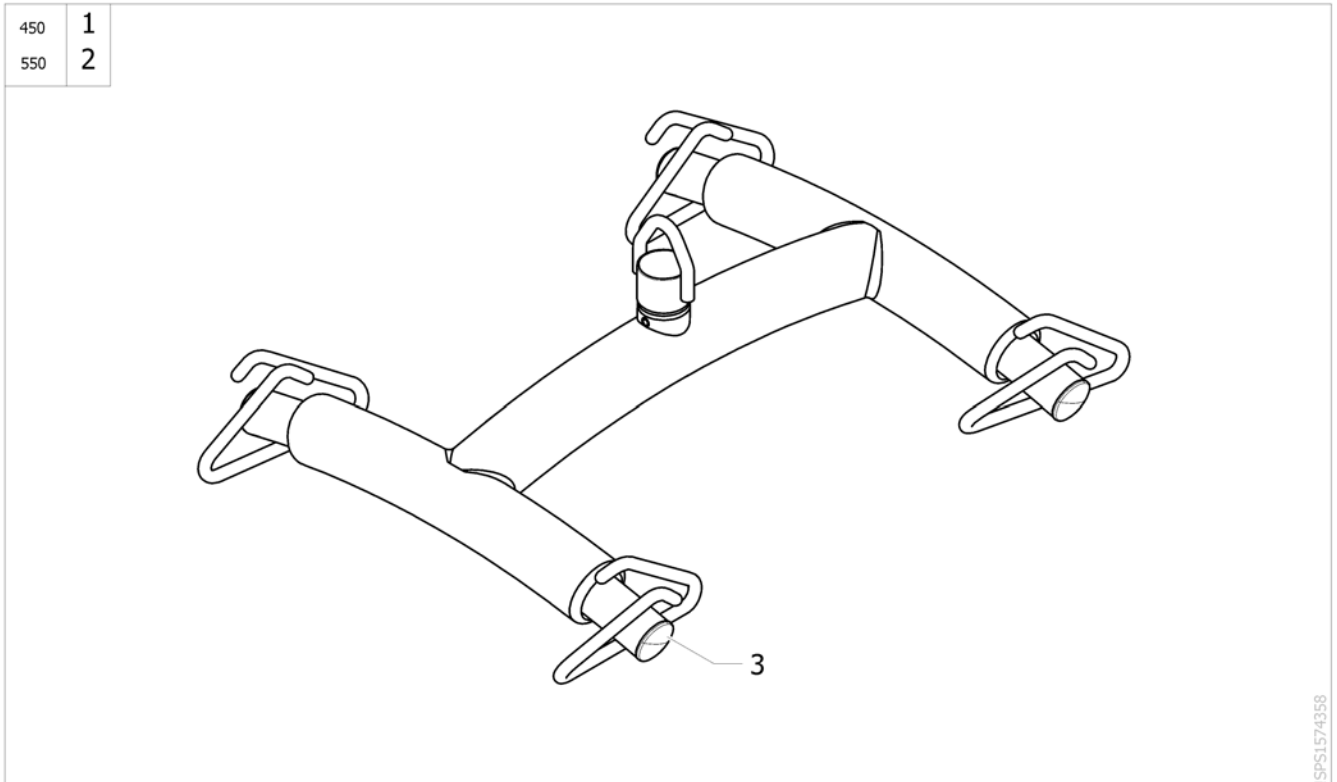
25	SP1449515	(Carabiner for spreader bar Invacare Flamingo/Birdie)		1
26	1509329-7012	Ferrule for Birdie jib, upper, RAL 7012		1
27	SP1510213	(Bearing Ø18/Ø12x30.5 Mast)		1
28	SP1510212	(Bearing Ø18/Ø14x21 Mast)		1
29	804209	Bricka m8 plan <i>Replaces POM slide runner 1510210 in previous hois</i>	01.06.2008 →	1
30	1492513	Spring ø6x0,5x50		1
31	1510158	Pin Ø5xM5x80 stainless		1
32	1510157-0002	Låsbleck mast/bas Birdie		1
33	1511759	Dekal kortanv elektronik Birdie Compact		1
34	1514578	Label for CBJ2 control unit with manual leg spr		1
35	SP1511760	Dekal kortanv elektronik Birdie el/el		1

## (Spreader bar 2 points (450/550 mm))



1	1526581-0125	Bygel Birdie 2-punkt	1
2	1526582-0125	LYFTBYGEL 2-PUNKTS 550MM BIRDIE/FLAMINGO	1
3	SP1443855-7012	(Ferrule Inside Diameter 30x3 Qty.2 (RAL 7012))	2

**(Spreader bar 4 points (450/550 mm))**



1	1526583-0125	LYFTBYGEL 4-PUNKTS 450MM BIRDIE/FLAMINGO	1
2	1526584-0125	LYFTBYGEL 4-PUNKTS 550MM BIRDIE/FLAMINGO	1
3	SP1443855-7012	(Ferrule Inside Diameter 30x3 Qty.2 (RAL 7012))	2



Yes, you can.®



---

**Belgium & Luxemburg:**

Invacare nv, Autobaan 22, B-8210 Loppem  
Tel: (32) (0)50 83 10 10, Fax: (32) (0)50 83 10 11  
belgium@invacare.com / www.invacare.be

**Denmark:**

Invacare A/S, Sdr. Ringvej 37, DK-2605 Brøndby  
Tel: (45) (0)36 90 00 00, Fax: (45) (0)36 90 00 01  
denmark@invacare.com / www.invacare.dk

**Deutschland:**

Invacare Aquatec GmbH, Alemannenstraße 10, D-88316 Isny  
Tel: (49) (0)75 62 7 00 0, Fax: (49) (0)75 62 7 00 66  
info@invacare-aquatec.com / www.invacare-aquatec.de

**European Distributor Organisation:**

Invacare, Kleiststraße 49, D-32457 Porta Westfalica  
Tel: (49) (0)57 31 754 540, Fax: (49) (0)57 31 754 541  
edo@invacare.com / www.invacare.eu.com

**España:**

Invacare SA, c/Areny s/n, Polígon Industrial de Celrà, E-17460 Celrà (Girona)  
Tel: (34) (0)972 49 32 00, Fax: (34) (0)972 49 32 20  
contactsp@invacare.com / www.invacare.es

**France:**

Invacare Poirier SAS, Route de St Roch, F-37230 Fondettes  
Tel: (33) (0)2 47 62 64 66, Fax: (33) (0)2 47 42 12 24  
contactfr@invacare.com / www.invacare.fr

**Ireland:**

Invacare Ireland Ltd, Unit 5 Seatown Business Campus, Seatown Road, Swords, County Dublin - Ireland  
Tel: (353) 1 810 7084, Fax: (353) 1 810 7085  
ireland@invacare.com / www.invacare.ie

**Italia:**

Invacare Mecc San s.r.l., Via dei Pini 62, I-36016 Thiene (VI)  
Tel: (39) 0445 38 00 59, Fax: (39) 0445 38 00 34  
italia@invacare.com / www.invacare.it

**Nederland:**

Invacare BV, Celsiusstraat 46, NL-6716 BZ Ede  
Tel: (31) (0)318 695 757, Fax: (31) (0)318 695 758  
nederland@invacare.com, csede@invacare.com / www.invacare.nl

**Norge:**

Invacare AS, Grensesvingen 9, Postboks 6230, Etterstad, N-0603 Oslo  
Tel: (47) (0)22 57 95 00, Fax: (47) (0)22 57 95 01  
norway@invacare.com, island@invacare.com / www.invacare.no

**Österreich:**

Invacare Austria GmbH, Herzog Odilostrasse 101, A-5310 Mondsee  
Tel: (43) 6232 5535 0, Fax: (43) 6232 5535 4  
info-austria@invacare.com / www.invacare.at

**Portugal:**

Invacare Lda, Rua Estrada Velha, 949, P-4465-784 Leça do Balio  
Tel: (351) (0)225 1059 46/47, Fax: (351) (0)225 1057 39  
portugal@invacare.com / www.invacare.pt

**Sverige & Suomi:**

Invacare AB, Fagerstagatan 9, S-163 91 Spånga  
Tel: (46) (0)8 761 70 90, Fax: (46) (0)8 761 81 08  
sweden@invacare.com, finland@invacare.com / www.invacare.se

**Switzerland:**

Invacare AG, Benkenstrasse 260, CH-4108 Witterswil  
Tel: (41) (0)61 487 70 80, Fax: (41) (0)61 487 70 81  
switzerland@invacare.com / www.invacare.ch

**United Kingdom:**

Invacare Limited, Pencoed Technology Park, Pencoed, Bridgend CF35 5AQ  
Switchboard Tel: (44) (0)1656 776200, Fax: (44) (0)1656 776201  
Customer services Tel: (44) (0)1656 776222, Fax: (44) (0)1656 776220  
uk@invacare.com / www.invacare.co.uk